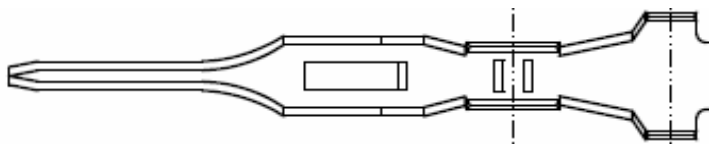


EDCON-COMPONENTS

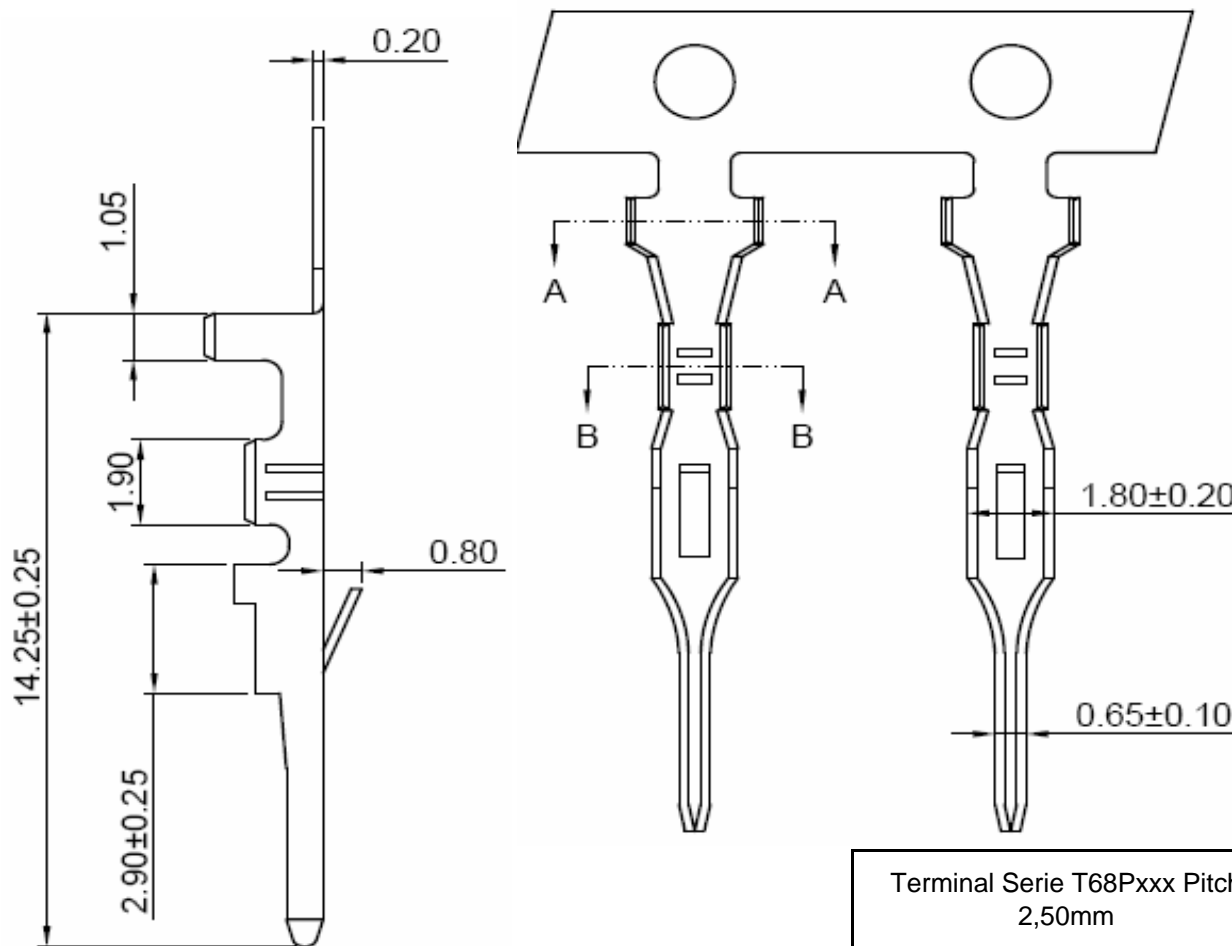
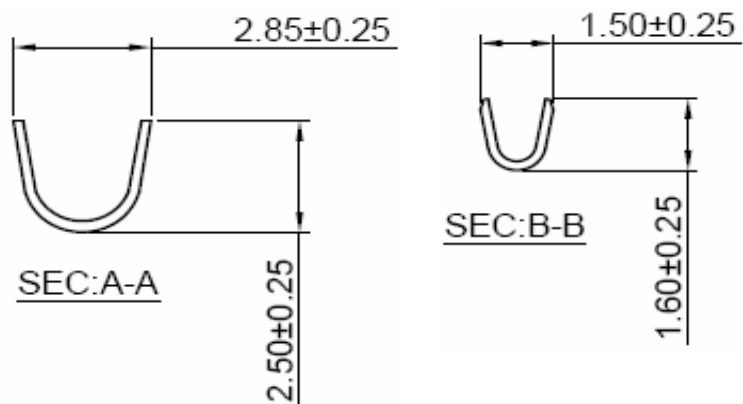


Specifications

Voltage Rating: 250 V AC/DC
 Current Rating: 3A AC/DC
 Operating Temperature: -25°C to + 85°C
 Contact Resistance: 20 mΩ
 Withstanding Voltage: 1000 V AC/Minute
 Insulation Resistance: 100MΩ min.

Contact Material: Phosphor Bronze
 Contact Plating: Tin Plated / Gold Plated
 Thickness: 0,20mm
 Wire Range: AWG# 22~28

Drawing (dimensions all into mm)



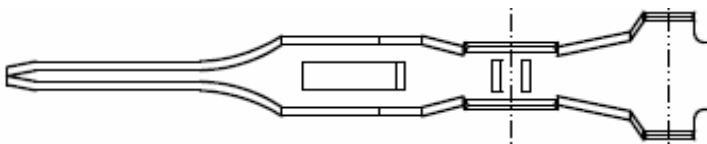
Terminal Serie T68Pxxx Pitch 2,50mm	
Part No.:	T68P308
Customer:	

DRW:	Jason	CHKD	Wilson	MATL:	Wilson	TOLERANCE	Mason	DATE	10.05.2012
APPD:	Schumi			FINISH	Jamy		Sheet No.		1 from 2

www.edcon-components.com

email: info@edcon-components.com

EDCON-COMPONENTS



Ordering Informations

Serie	Contact Plating	Contact Material	ROHS	Packing						
T68P308	TN	P	R	TR						
	TN= Tin plated	P= Phosphor Bronze	R= Rohs Conform	TR= Tape Reel						
	GO= Gold plated		N= NON Rohs Conform							

Terminal Serie T68Pxxx Pitch 2,50mm
Part No.: T68P308
Customer:

DRW:	Jason	CHKD	Wilson	MATL:	Wilson	TOLERANCE	Mason	DATE	10.05.2012
APPD:	Schumi			FINISH	Jamy		Sheet No.		2 from 2

www.edcon-components.com

email: info@edcon-components.com