

EDCON-COMPONENTS

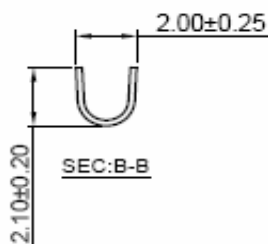
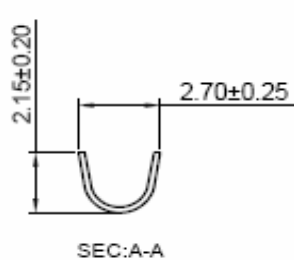
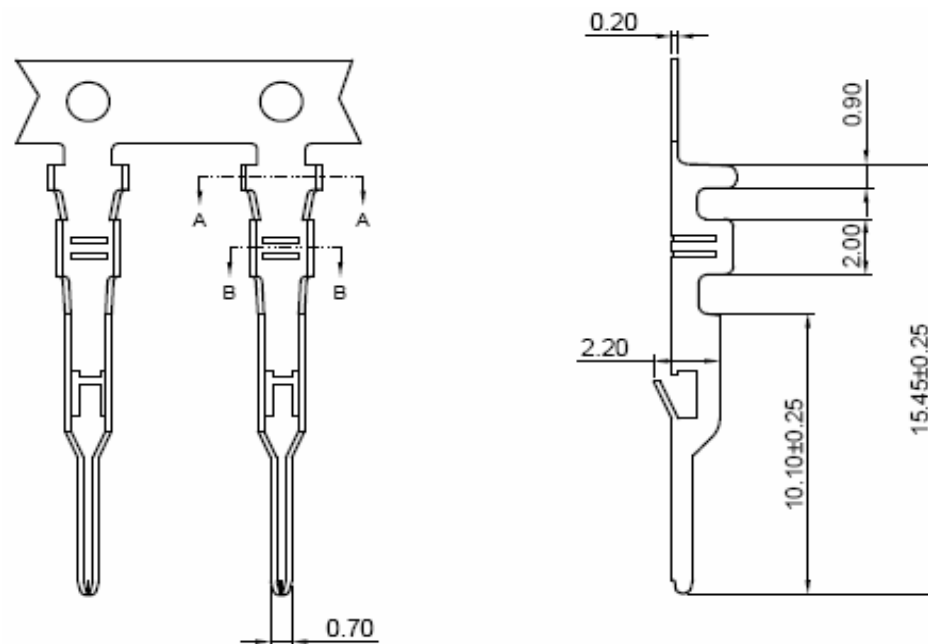


Specifications

Voltage Rating: 250 V AC/DC
 Current Rating: 3A AC/DC
 Operating Temperature: -25°C to + 85°C
 Contact Resistance: 10 mΩ
 Withstanding Voltage: 1000 V AC/Minute
 Insulation Resistance: 1000MΩ min.

Pin-Material: Brass or Phosphor Bronze

Drawing (dimensions all into mm)



Unit:mm

Contact for Wafer Serie T68P301
Pitch 2,50mm

Part No.: **T68P303**

Customer:

DRW:	Jason	CHKD	Wilson	MATL:	Wilson	TOLERANCE	Mason	DATE	09.05.2012
APPD:	Schumi			FINISH	Jamy		Sheet No.		1 from 2

www.edcon-components.com

email: info@edcon-components.com

EDCON-COMPONENTS



Ordering Informations

Serie	Number of Pos.	Contact Material	Contact Plating	Packing						
-------	----------------	------------------	-----------------	---------	--	--	--	--	--	--

T68P303	01	B	TN	TR						
----------------	-----------	----------	-----------	-----------	--	--	--	--	--	--

xx = Pos.	B= Brass	TN= Tinned	BU= Bulk Ware							
	P= Phosphor Bronze	G0= Gold over Nickel	TR= Tape / Reel Packing							

Contact for Wafer Serie T68P301
Pitch 2,50mm

Part No.: **T68P303**

Customer:

DRW:	Jason	CHKD	Wilson	MATL:	Wilson	TOLERANCE	Mason	DATE	09.05.2012
APPD:	Schumi			FINISH	Jamy		Sheet No.		2 from 2