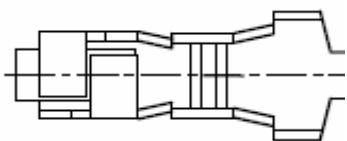


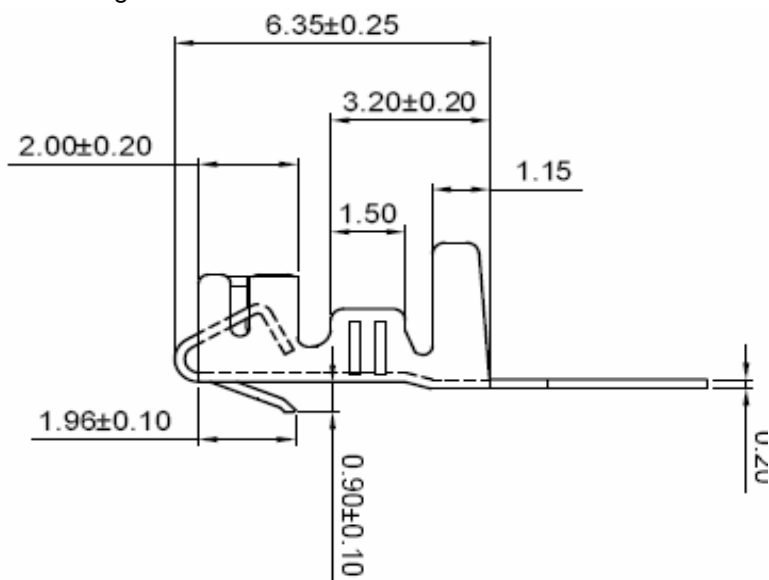
EDCON-COMPONENTS



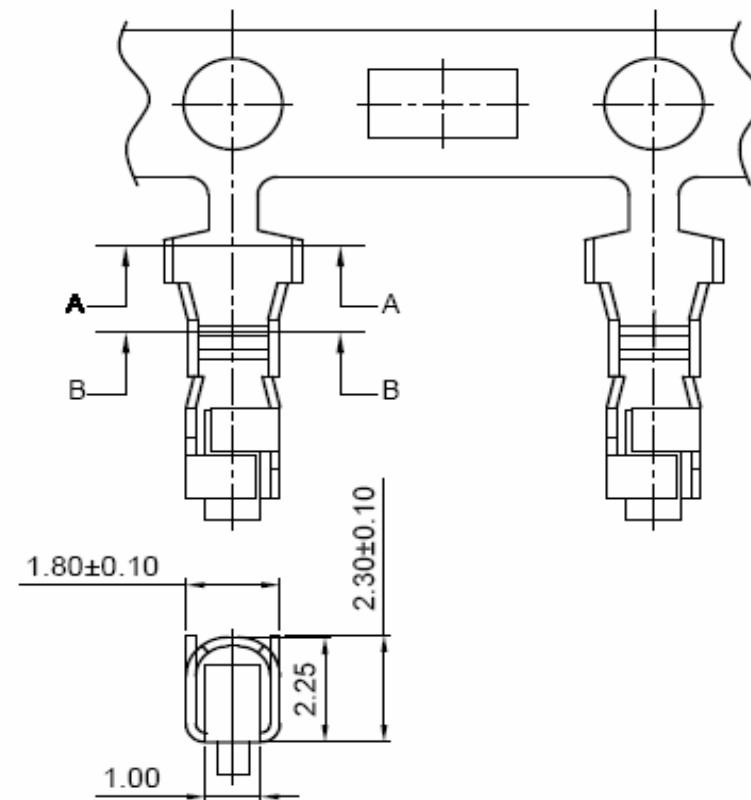
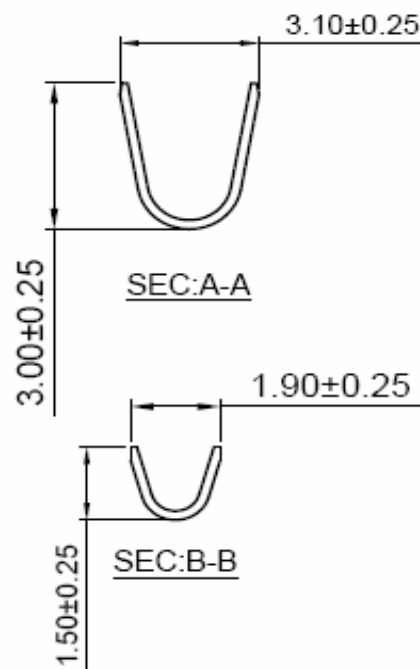
Specifications

Voltage Rating: 250 V AC/DC
 Current Rating: 3A AC/DC
 Operating Temperature: -25°C to +85°C
 Contact Resistance: 20 mΩ
 Withstanding Voltage: 1000 V AC/Minute
 Insulation Resistance: 100MΩ min.

Contact Material: Phosphor Bronze / Brass
 Contact Plating: Tin Plated / Gold Plated
 Thickness: 0,20mm
 Wire Range: AWG# 22~28



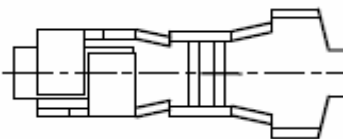
Drawing (dimensions all into mm)



Terminal Serie T68Pxxx Pitch 2,50mm
Part No.: T68P107
Customer:

DRW: Jason	CHKD: Wilson	MATL: Wilson	TOLERANCE: Mason	DATE: 10.05.2012
APPD: Schumi	FINISH: Jamy	Sheet No.:	1 from 2	

EDCON-COMPONENTS



Ordering Informations

Serie	Contact Plating	Contact Material	ROHS	Packing						
T68P107	TN	B	R	TR						
	TN= Tin plated	B= Brass	R= Rohs Conform	TR= Tape Reel						
	GO= Gold plated	P= Phosphor Bronze	N= NON Rohs Conform							

Terminal Serie T68Pxxx Pitch 2,50mm
Part No.: T68P107
Customer:

DRW:	Jason	CHKD	Wilson	MATL:	Wilson	TOLERANCE	Mason	DATE	10.05.2012
APPD:	Schumi			FINISH	Jamy		Sheet No.		2 from 2