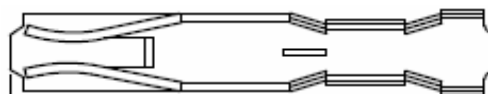


# EDCON-COMPONENTS

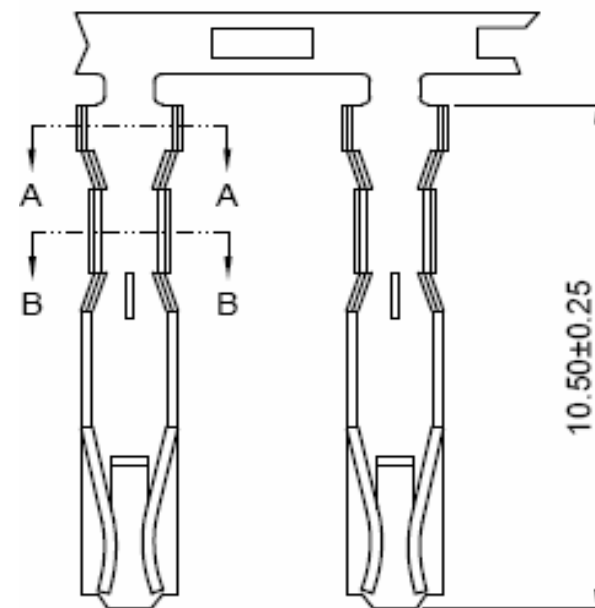
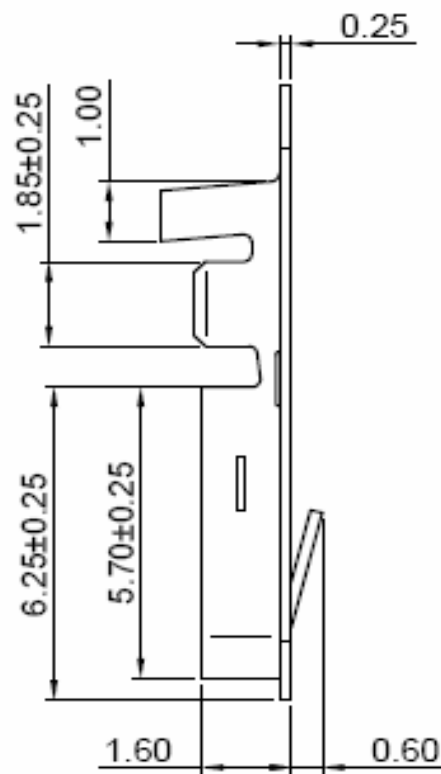
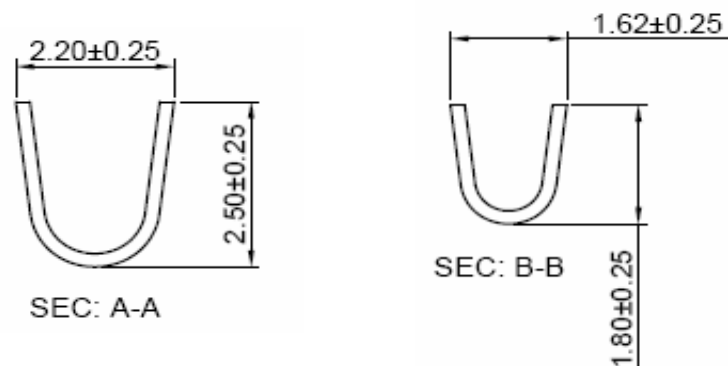


## Specifications

Voltage Rating: 250 V AC/DC  
 Current Rating: 3A AC/DC  
 Operating Temperature: -25°C to +85°C  
 Contact Resistance: 20 mΩ  
 Withstanding Voltage: 1000 V AC/Minute  
 Insulation Resistance: 100MΩ min.

Contact Material: Phosphor Bronze  
 Contact Plating: Tin Plated / Gold Plated  
 Thickness: 0,25mm  
 Wire Range: AWG# 22~28

## Drawing ( dimensions all into mm)



Unit:mm

Terminal Serie T68Pxxx Pitch  
2,50mm

Part No.: **T68P101**

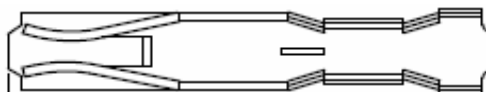
Customer:

DRW:	Jason	CHKD	Wilson	MATL:	Wilson	TOLERANCE	Mason	DATE	09.05.2012
APPD:	Schumi			FINISH	Jamy		Sheet No.		1 from 2

[www.edcon-components.com](http://www.edcon-components.com)

email: [info@edcon-components.com](mailto:info@edcon-components.com)

# EDCON-COMPONENTS



## Ordering Informations

Serie	Contact Plating	Contact Material	ROHS	Packing						
<b>T68P101</b>	<b>TN</b>	<b>P</b>	<b>R</b>	<b>TR</b>						
	<b>TN= Tin plated</b>	<b>P= Phosphor Bronze</b>	<b>R= Rohs Conform</b>	<b>TR= Tape Reel</b>						
	<b>G0= Gold plated</b>		<b>N= NON Rohs Conform</b>							

Terminal Serie T68Pxxx Pitch 2,50mm
Part No.: <b>T68P101</b>
Customer:

DRW:	Jason	CHKD	Wilson	MATL:	Wilson	TOLERANCE	Mason	DATE	09.05.2012
APPD:	Schumi			FINISH	Jamy		Sheet No.		2 from 2