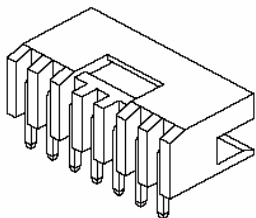


# EDCON-COMPONENTS

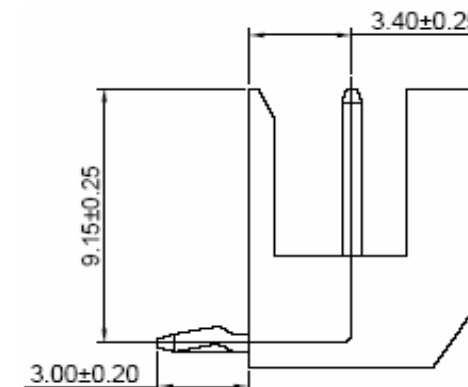
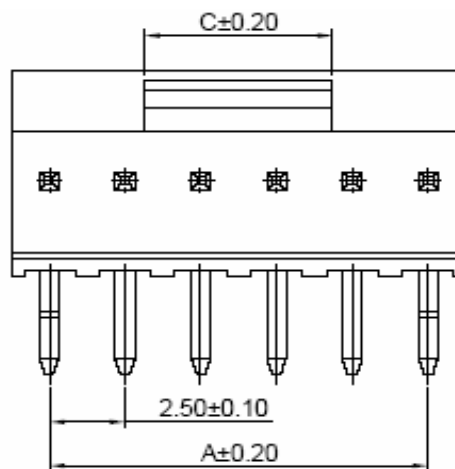


## Specifications

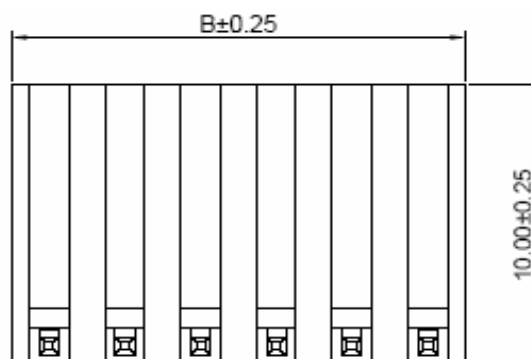
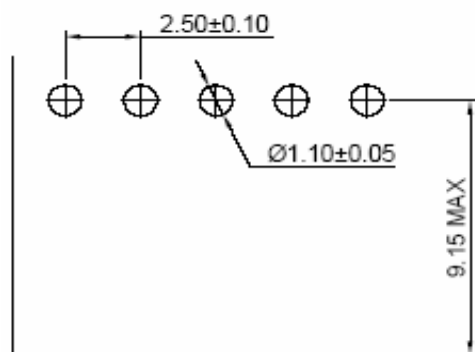
Voltage Rating: 250 V AC/DC  
 Current Rating: 3A AC/DC  
 Operating Temperature: -40°C to + 105°C  
 Contact Resistance: 10 mΩ  
 Withstanding Voltage: 800 V AC/Minute  
 Insulation Resistance: 1000MΩ min.  
 Material Housing: PBT30% GF, UL94V-0

Pin-Material: Brass /Tin-plated  
 Color of Base: Natural

## Drawing ( dimensions all into mm)



## P.C.B. Layout



Unit: mm

Wafer Serie T68Pxxxx Pitch  
2,50mm

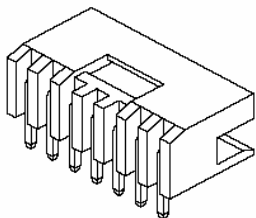
Part No.: **T68P098**

Customer:

DRW:	Jason	CHKD	Wilson	MATL:	Wilson	TOLERANCE	Mason	DATE	09.05.2012
APPD:	Schumi			FINISH	Jamy		Sheet No.	1 from 4	



# EDCON-COMPONENTS



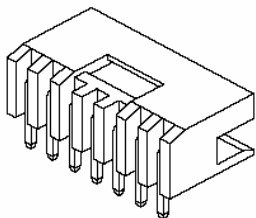
## Ordering Informations

Serie	Number of Pos.	Special function	Color of Body	Packing						
<b>T68P098</b>	<b>02</b>	<b>X</b>	<b>NA</b>	<b>BU</b>						
	<b>xx = Pos.</b>	<b>X= no function</b>	<b>NA= Natural (Standard)</b>	<b>BU= Bulk Ware</b>						

Wafer Serie T68Pxxxx Pitch  
2,50mm

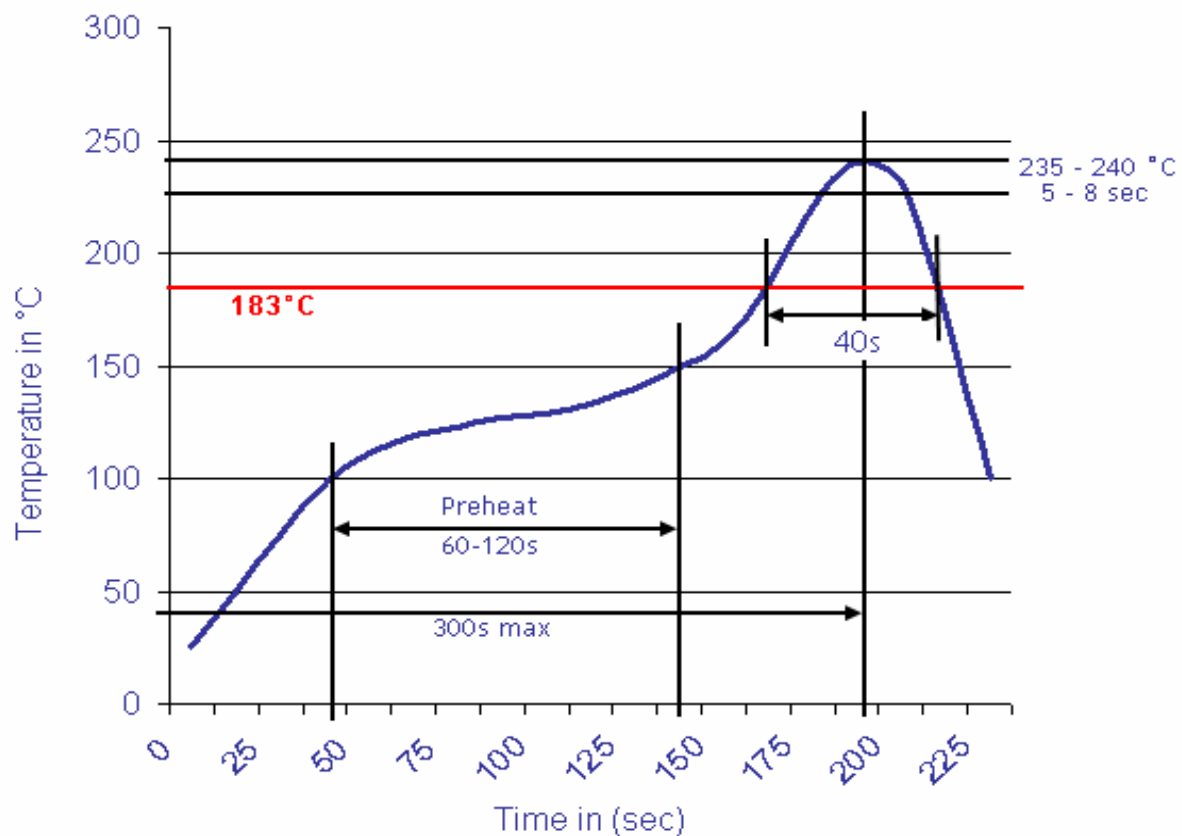
Part No.: **T68P098**

DRW:	Jason	CHKD	Wilson	MATL:	Wilson	TOLERANCE	Mason	DATE	09.05.2012	Customer:
APPD:	Schumi			FINISH	Jamy		Sheet No.	3 from 4		



Soldering Profile Curve

Classification Reflow Profile (JEDEC J-STD-020C)



Wafer Serie T68Pxxxx Pitch 2,50mm
Part No.: <b>T68P098</b>
Customer:

DRW:	Jason	CHKD	Wilson	MATL:	Wilson	TOLERANCE	Mason	DATE	09.05.2012
APPD:	Schumi			FINISH	Jamy		Sheet No.	4 from 4	