

EDCON-COMPONENTS

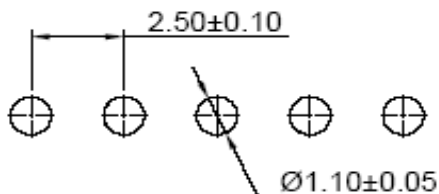


Specifications

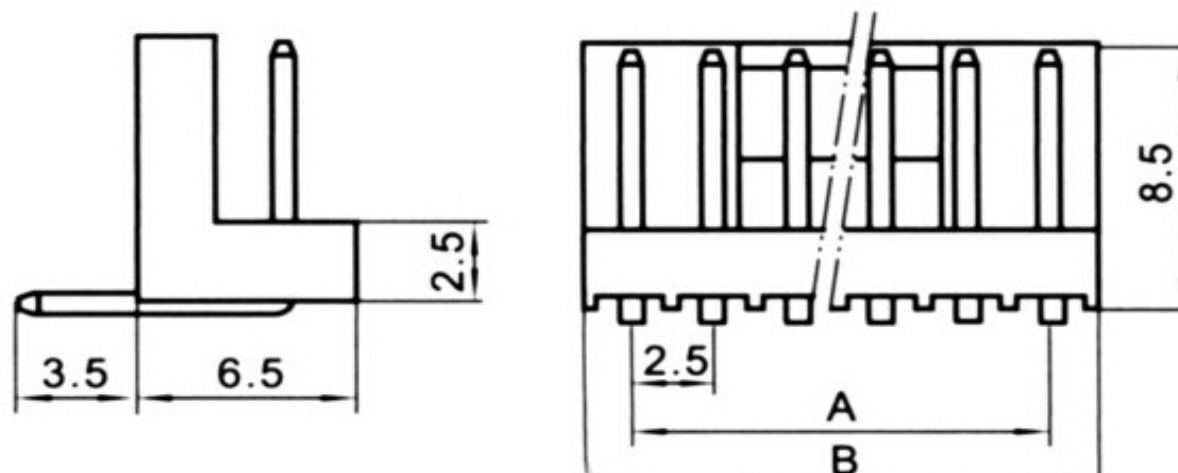
Voltage Rating: 250 V AC/DC
 Current Rating: 3A AC/DC
 Operating Temperature: -40°C to + 105°C
 Contact Resistance: 10 mΩ
 Withstanding Voltage: 800 V AC/Minute
 Insulation Resistance: 1000MΩ min.
 Material Housing: PBT30% GF, UL94V-0

Pin-Material: Brass /Tin-plated
 Color of Base: Beige (Standard)

P.C.B. Layout



Drawing (dimensions all into mm)



Wafer Serie T68P097 Pitch
2,50mm

Part No.: **T68P097**

DRW:	Jason	CHKD	Wilson	MATL:	Wilson	TOLERANCE	Mason	DATE	29.05.2015
APPD:	Schumi			FINISH	Jamy		Sheet No.	1 from 4	

Customer:

email: info@edcon-components.com

EDCON-COMPONENTS



Dimension Information

Dimension (mm)						
Pos.	A	B	C	D	E	F
2	2,50	5,00	2,20			
3	5,00	7,50	2,70			
4	7,50	10,00	5,20			
5	10,00	12,50	5,20			
6	12,50	15,00	6,20			
7	15,00	17,50	8,20			
8	17,50	20,00	10,20			
9	20,00	22,50	10,20			
10	22,50	25,00	10,20			
11	25,00	27,50	11,20			
12	27,50	30,00	11,20			
13	30,00	32,50	13,20			
14	32,50	35,00	13,20			
15	35,00	37,50	13,20			

Dimension (mm)						
Pos.	A	B	C	D	E	F

Wafer Serie T68P097 Pitch
2,50mm

Part No.: **T68P097**

DRW:	Jason	CHKD	Wilson	MATL:	Wilson	TOLERANCE	Mason	DATE	29.05.2015
APPD:	Schumi			FINISH	Jamy		Sheet No.		2 from 4

Customer:

EDCON-COMPONENTS



Ordering Informations

Serie	Number of Pos.	Contact Plating	Special function	Color of Body	Packing					
T68P097	02	T	X	BG	BU					
	xx = Pos.	T= tin plated	X= no function	BG= Beige Standard)	BU= Bulk Ware					

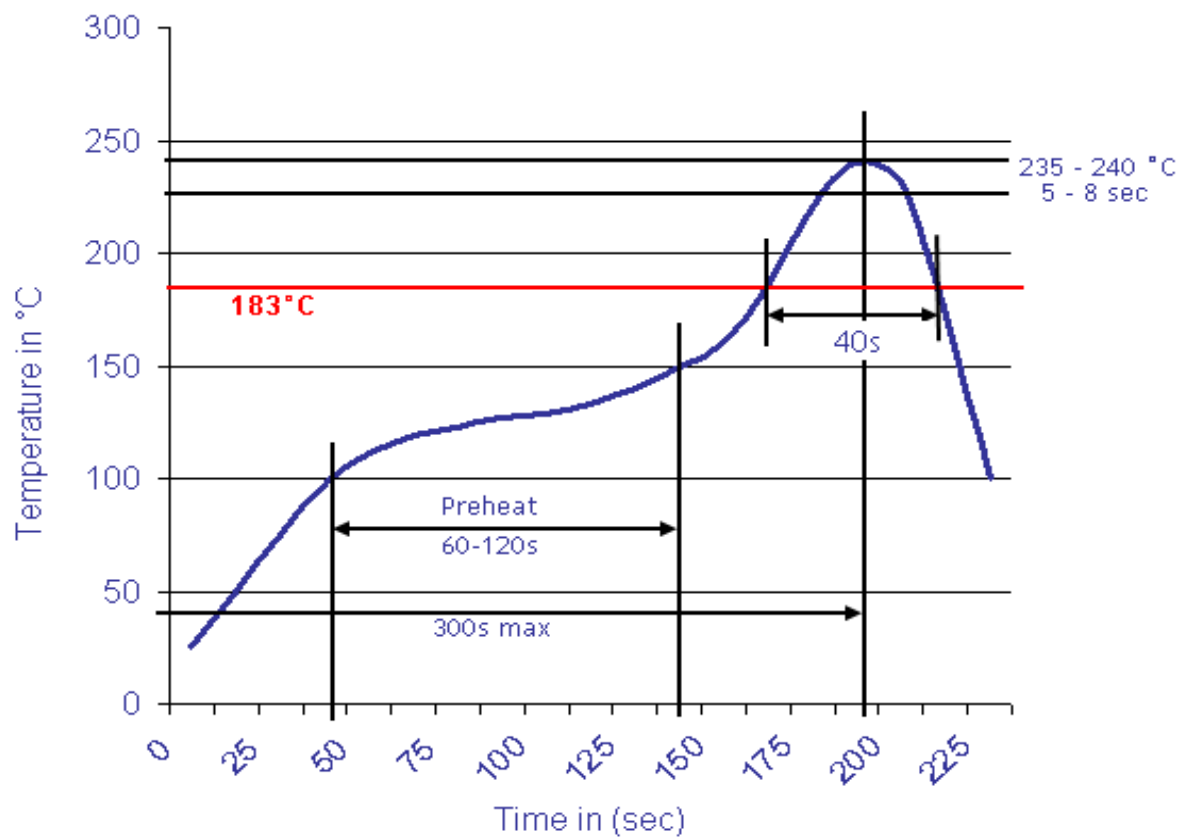
Wafer Serie T68P097 Pitch 2,50mm
Part No.: T68P097
Customer:

DRW:	Jason	CHKD	Wilson	MATL:	Wilson	TOLERANCE	Mason	DATE	29.05.2015
APPD:	Schumi			FINISH	Jamy		Sheet No.		3 from 4



Soldering Profile Curve

Classification Reflow Profile (JEDEC J-STD-020C)



Wafer Serie T68P097 Pitch 2,50mm	
Part No.:	T68P097
Customer:	

DRW:	Jason	CHKD	Wilson	MATL:	Wilson	TOLERANCE	Mason	DATE	29.05.2015
APPD:	Schumi			FINISH	Jamy		Sheet No.	4 from 4	