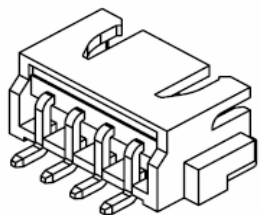


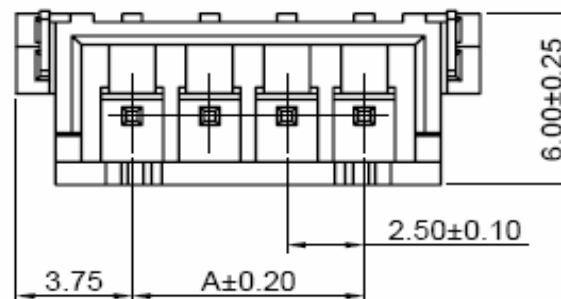
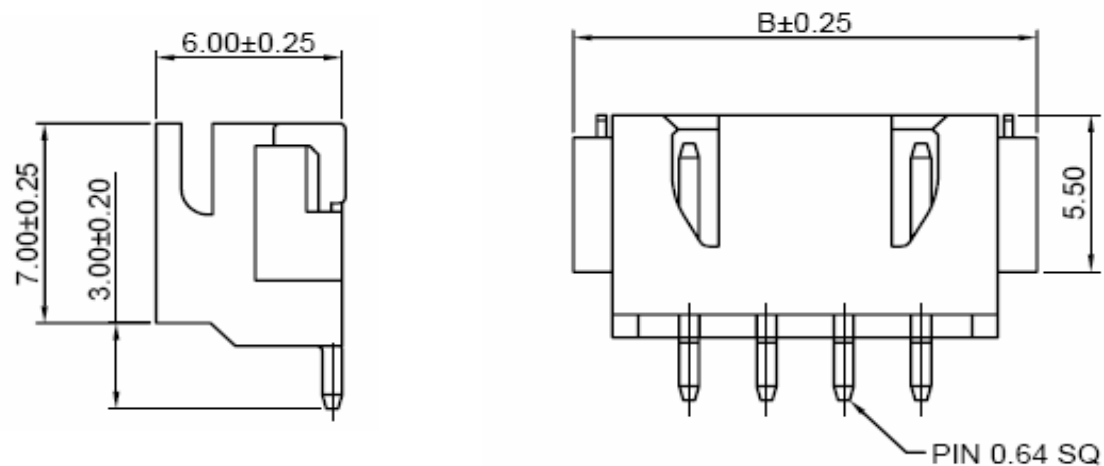
EDCON-COMPONENTS



Specifications

Voltage Rating:	250 V AC/DC
Current Rating:	3A AC/DC
Operating Temperature:	-25°C to + 85°C
Contact Resistance:	10 mΩ
Withstanding Voltage:	1000 V AC/Minute
Insulation Resistance:	1000MΩ min.
Material Housing:	Nylon 6T / UL94V-0
	Nylon 46 available
Pin-Material:	Brass /Tin-plated
Color of Base:	Natural (White)

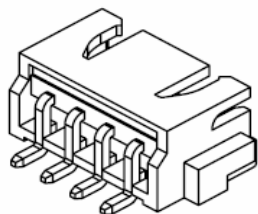
Drawing (dimensions all into mm)



Wafer Serie T68P027 Pitch 2,50mm	
Part No.:	T68P027
Customer:	

DRW:	Jason	CHKD	Wilson	MATL:	Wilson	TOLERANCE	Mason	DATE	09.05.2012
APPD:	Schumi			FINISH	Jamy		Sheet No.		1 from 4

EDCON-COMPONENTS



Ordering Informations

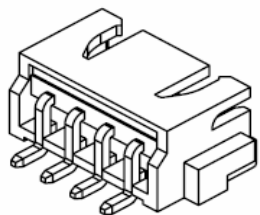
Serie	Number of Pos.	Body Material	Color of Body	Packing						
-------	----------------	---------------	---------------	---------	--	--	--	--	--	--

T68P027	02	1	WH	TR						
----------------	-----------	----------	-----------	-----------	--	--	--	--	--	--

xx = Pos.	1= Nylon 6T (Standard)	WH= White	BU= Bulk Ware							
	2= Nylon 46		TR= Tape / Reel Packing							
			TU= Tube Packing							

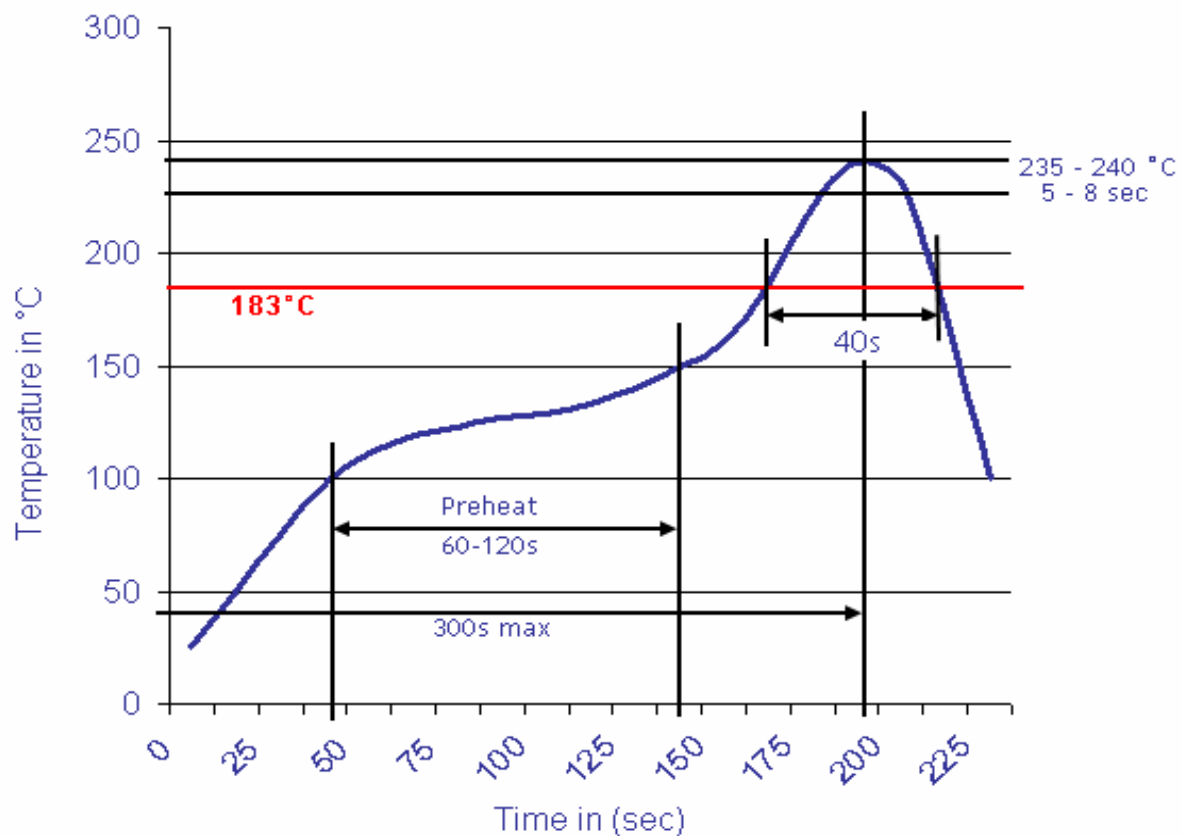
Wafer Serie T68P027 Pitch 2,50mm
Part No.: T68P027
Customer:

DRW:	Jason	CHKD	Wilson	MATL:	Wilson	TOLERANCE	Mason	DATE	09.05.2012
APPD:	Schumi			FINISH	Jamy		Sheet No.		3 from 4



Soldering Profile Curve

Classification Reflow Profile (JEDEC J-STD-020C)



Wafer Serie T68P027 Pitch 2,50mm
Part No.: T68P027
Customer:

DRW:	Jason	CHKD	Wilson	MATL:	Wilson	TOLERANCE	Mason	DATE	09.05.2012
APPD:	Schumi			FINISH	Jamy		Sheet No.	4 from 4	