

# EDCON-COMPONENTS

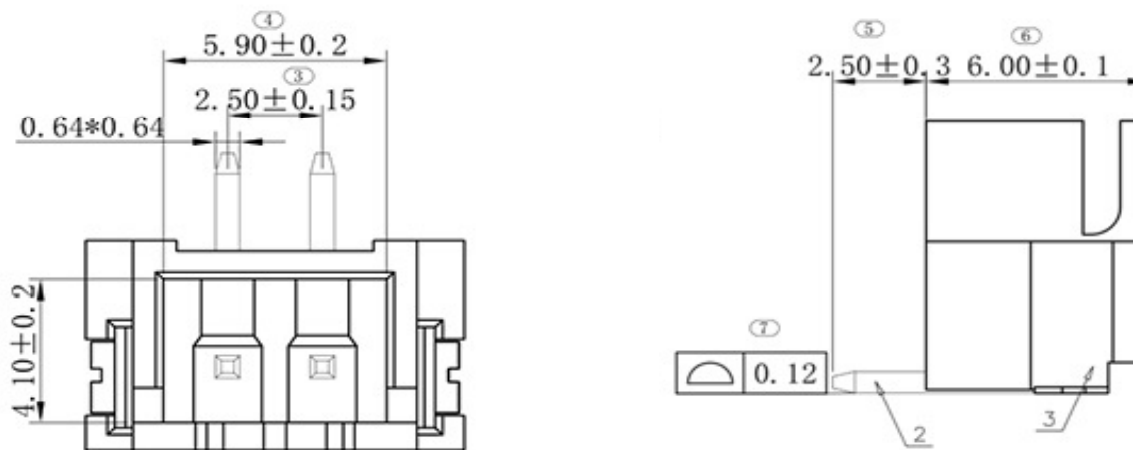


## Specifications

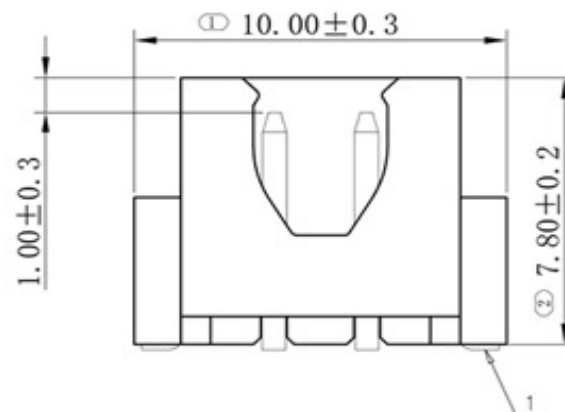
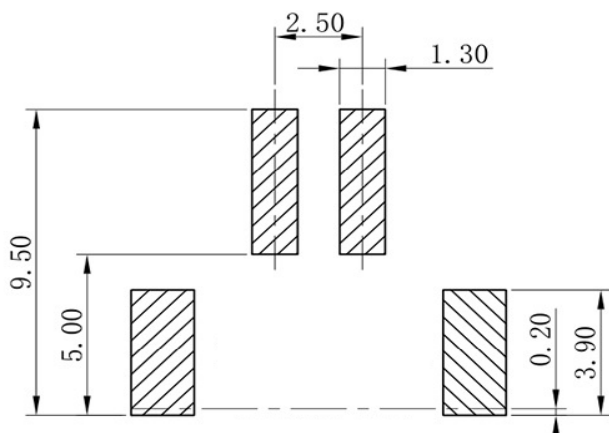
Voltage Rating: 250 V AC/DC  
 Current Rating: 2A AC/DC  
 Operating Temperature: -25°C to + 85°C  
 Contact Resistance: <3 mΩ  
 Withstanding Voltage: 1000 V AC/Minute  
 Insulation Resistance: >1000MΩ min.  
 Material Housing: LCP / UL94V-0

Pin-Material: Brass /Tin-plated  
 Color of Base: Natural ( White)

## Drawing ( dimensions all into mm)



## PCB-Layout (mm)



Wafer Serie T68P025 Pitch  
2,50mm

Part No.: **T68P025-**

Customer:

DRW:	Jason	CHKD	Wilson	MATL:	Wilson	TOLERANCE	Mason	DATE	21.10.2021
APPD:	Schumi			FINISH	Jamy		Sheet No.		1 from 4



# EDCON-COMPONENTS



## Ordering Informations

Serie	Number of Pos.	Body Material	Color of Body	Packing						
-------	----------------	---------------	---------------	---------	--	--	--	--	--	--

<b>T68P025-</b>	<b>02</b>	<b>1</b>	<b>WH</b>	<b>TR</b>						
-----------------	-----------	----------	-----------	-----------	--	--	--	--	--	--

<b>xx = Pos.</b>	<b>1= LCP (Standard)</b>	<b>WH= White</b>	<b>BU= Bulk Ware</b>							
			<b>TR= Tape / Reel Packing</b>							
			<b>TU= Tube Packing</b>							

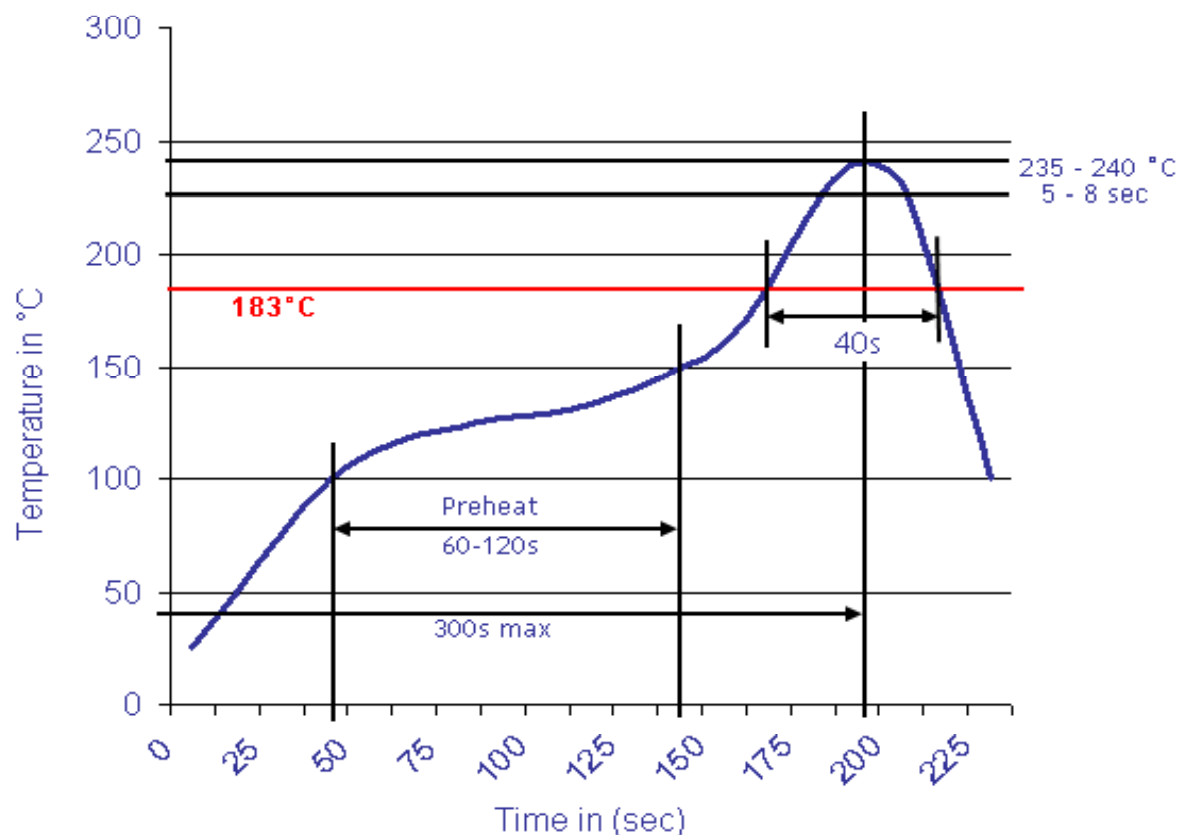
Wafer Serie T68P025 Pitch 2,50mm
Part No.: <b>T68P025-</b>
Customer:

DRW:	Jason	CHKD	Wilson	MATL:	Wilson	TOLERANCE	Mason	DATE	21.10.2021
APPD:	Schumi			FINISH	Jamy		Sheet No.		3 from 4



Soldering Profile Curve

Classification Reflow Profile (JEDEC J-STD-020C)



Wafer Serie T68P025 Pitch 2,50mm	
Part No.:	<b>T68P025-</b>
Customer:	

DRW:	Jason	CHKD	Wilson	MATL:	Wilson	TOLERANCE	Mason	DATE	21.10.2021
APPD:	Schumi			FINISH	Jamy		Sheet No.	4 from 4	