

# EDCON-COMPONENTS



## Specifications

|                        |                                                                                                                                            |
|------------------------|--------------------------------------------------------------------------------------------------------------------------------------------|
| Rated Voltage:         | 3Vp-p max. square wave                                                                                                                     |
| Operating Voltage:     | 2~5Vp-p max. duty square wave                                                                                                              |
| Rated Current:         | 80mA at 5,0Vo-p square wave 1/2 duty square wave 2700Hz                                                                                    |
| Coil Resistance:       | 15Ω +/-1Ω                                                                                                                                  |
| Typical Sound Output:  | 85B min                                                                                                                                    |
| Operating Frequency:   | 2731Hz +/-500Hz                                                                                                                            |
| Operating Temperature: | . -25°C to +70°C                                                                                                                           |
| Storage Temperature:   | . -30°C to +85°C                                                                                                                           |
| Weight                 | 0,8gr.                                                                                                                                     |
| <br>                   |                                                                                                                                            |
| Life Test              | Operate the part at 5Vp-p in room temperature continuously for 1000hours                                                                   |
| Operating Temperature  | Driving from -20°to +70°C withi n 30minutes for 2 cycles                                                                                   |
| High Temperature:      | . +80 +/-2°C for 96hours                                                                                                                   |
| Low Temperature:       | . -30 +/-2°C for 96hours                                                                                                                   |
| Humidity:              | 25°C +/-2°C, 90-95%RH, 5hr>up 55°C +/-2°C, 90-95% R H, 0,5hr>55°C +/-2°C, 90-95%RH, 5hr>down to 25°C+/-2°C 90-95%RH, 0,5hr, 10 cycles      |
| Thermal Shock:         | . -30°C +/-2°C, 30min>+20°C 15min> +80° C +/-2°C 30min> +20°C, 15min 5cycles                                                               |
| Shock                  | 980/s² shock for each 3 mutually perpendicular directions to each of times by half sine wave                                               |
| Vibration              | 1,5mm with 10 to 50Hz of vibration frequency to each of 3 perpendicular directions for 2hrs.                                               |
| Drop Test              | Dropped naturally from 700mm height onto the surface of 10mm thick wooden board. 2 directions upper and side of the part are to be applied |

manufacture under normal operations.

## Features

Flame Retardant Plastic

## Applications

Automatic Control Equipment  
Communication Equipment  
Electronic Instruments

## Warranty

All specifications must be satisfied after the test ( Recovery: 2 to 4 hrs of recovery under the standard condition after the removal from test chamber). 90% min soldering pads shall be with solder ( except the edge of pad).

**THT Magnetic Transducer**

Part No.: **I20011**

Customer:

|       |        |      |        |        |        |           |           |      |            |
|-------|--------|------|--------|--------|--------|-----------|-----------|------|------------|
| DRW:  | Jason  | CHKD | Wilson | MATL:  | Wilson | TOLERANCE | Mason     | DATE | 10.06.2010 |
| APPD: | Schumi |      |        | FINISH | Jamy   |           | Sheet No. |      | 1 from 4   |

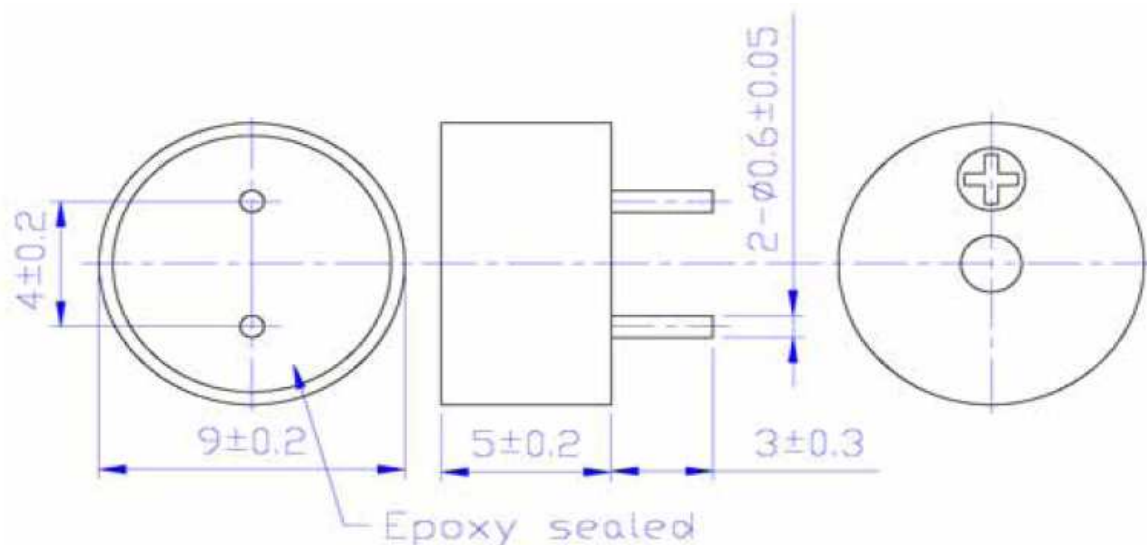
[www.edcon-components.com](http://www.edcon-components.com)

email: [info@edcon-components.com](mailto:info@edcon-components.com)

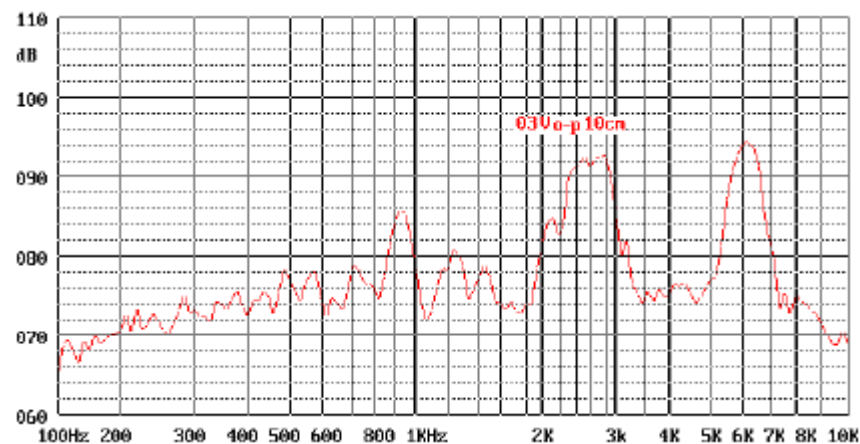
# EDCON-COMPONENTS



## Dimensions (mm)



## Characteristics



**THT Magnetic Transducer**

Part No.: **I20011**

|       |        |      |        |        |        |           |           |          |            |
|-------|--------|------|--------|--------|--------|-----------|-----------|----------|------------|
| DRW:  | Jason  | CHKD | Wilson | MATL:  | Wilson | TOLERANCE | Mason     | DATE     | 10.06.2010 |
| APPD: | Schumi |      |        | FINISH | Jamy   |           | Sheet No. | 2 from 4 |            |

Customer:

[www.edcon-components.com](http://www.edcon-components.com)

email: [info@edcon-components.com](mailto:info@edcon-components.com)

# EDCON-COMPONENTS



## Ordering Informations

| Serie  | Model-No.  | ROHS | Package |  |  |  |  |  |  |
|--------|------------|------|---------|--|--|--|--|--|--|
| I20011 | 09I03152.7 | R    | TY      |  |  |  |  |  |  |

|                             |                          |
|-----------------------------|--------------------------|
| <b>R</b> = ROHS Conform     | <b>TY</b> = Tray Packing |
| <b>N</b> = NON ROHS Conform | <b>TU</b> = Tube Packing |

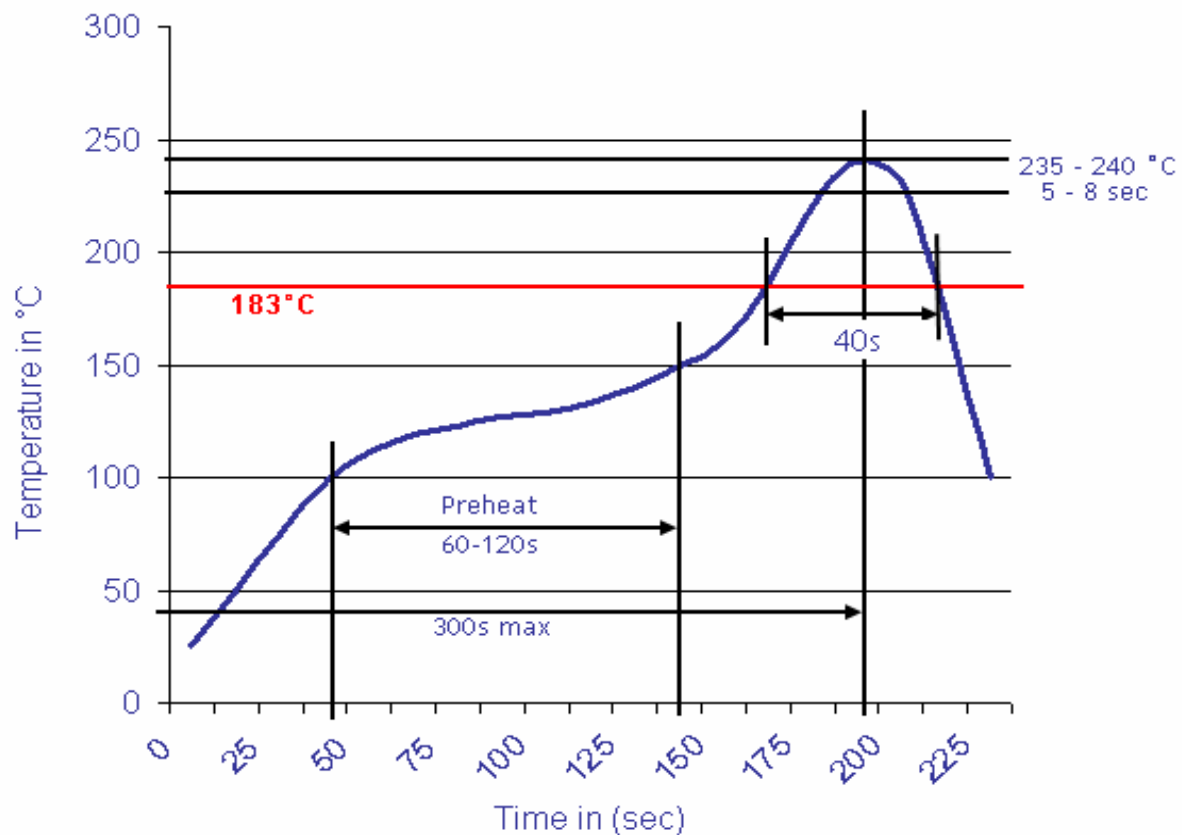
|                               |               |
|-------------------------------|---------------|
| <b>THT Magnetic Tranducer</b> |               |
| Part No.:                     | <b>I20011</b> |
| Customer:                     |               |

|       |        |      |        |        |        |           |           |      |            |
|-------|--------|------|--------|--------|--------|-----------|-----------|------|------------|
| DRW:  | Jason  | CHKD | Wilson | MATL:  | Wilson | TOLERANCE | Mason     | DATE | 10.06.2010 |
| APPD: | Schumi |      |        | FINISH | Jamy   |           | Sheet No. |      | 3 from 4   |



Soldering Profile Curve

Classification Reflow Profile (JEDEC J-STD-020C)



**THT Magnetic Transducer**

Part No.: **I20011**

|       |        |      |        |        |        |           |           |          |            |
|-------|--------|------|--------|--------|--------|-----------|-----------|----------|------------|
| DRW:  | Jason  | CHKD | Wilson | MATL:  | Wilson | TOLERANCE | Mason     | DATE     | 10.06.2010 |
| APPD: | Schumi |      |        | FINISH | Jamy   |           | Sheet No. | 4 from 4 | Customer:  |