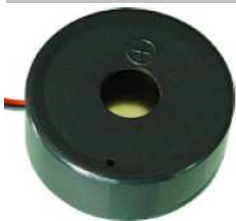


# EDCON-COMPONENTS



## Specifications

Rated Voltage:	12 VDC
Operating Voltage:	3~20VDC
Rated Current:	8mA max.
Typical Sound Output:	90B min.
Resonant Frequency	2800Hz +/-500Hz
Tone	Continuous
Operating Temperature:	. -20°C to +70°C
Storage Temperature:	. -30°C to +80°C
Weight	9,7 gr.

Life Test	Operate the part at 12VDC in room temperature continuously 1000hrs
Operating Temperature	Driving from -20° to +70°C within 30minutes for 2 cyc les
High Temperature	. +85°C +/-2°C, 120hours
Low Temperature	. -30°C +/-2°C, 120hours
Humidity	.+ 60°C +/-2°C, 90-95% RH, 120hours
Thermal Shock	. -20°C / +/- 2°C, 1hr> +20°C, 5min, > +70°C +/-2°C , 1hr> +20°C, 5min 5cycles
Shock	980/s <sup>2</sup> (=100g) shock for each 3 mutually perpendicular directions to each of 3 times by half sine wave.
Vibration	1,5mm with 10 to 50Hz of vibration frequency to each of 3perpendicular direction for 2 hrs.
Drop Test	Dropped naturally from 700mm height onto the surface of 10mm thick wooden board. 2 directions- upper and side of the part are to be applied

## Features

Reliable Solid State Piezoelectric Technology  
Corrosion Resistance Diaphragm  
Flame Retardant Plastic

## Applications

Automatic Control Equipment  
Communication Equipment  
Electronic Instruments

## Warranty

All specifications must be satisfied after the test ( Recovery: 2 to 4 hrs of recovery under the standard condition after the removal from test chamber).

**THT Piezo Buzzer**

Part No.: **I19021**

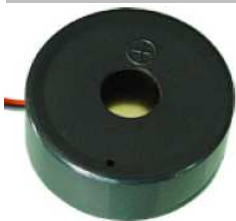
Customer:

DRW:	Jason	CHKD	Wilson	MATL:	Wilson	TOLERANCE	Mason	DATE	10.06.2010
APPD:	Schumi			FINISH	Jamy		Sheet No.		1 from 4

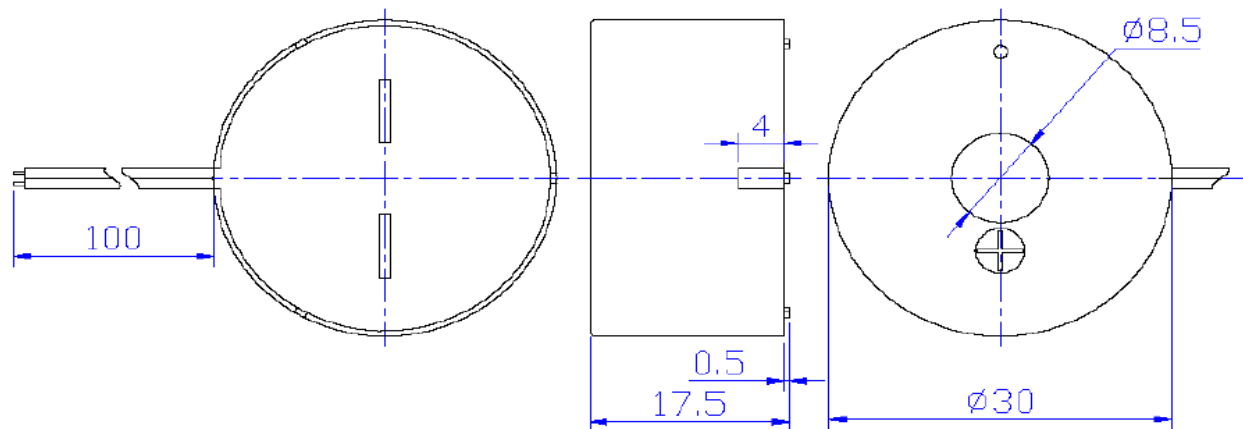
[www.edcon-components.com](http://www.edcon-components.com)

email: [info@edcon-components.com](mailto:info@edcon-components.com)

# EDCON-COMPONENTS



## Dimensions (mm)



## Characteristics



### THT Piezo Buzzer

Part No.: **I19021**

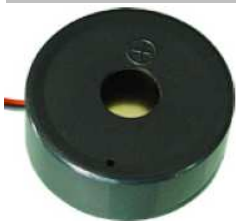
Customer:

DRW:	Jason	CHKD	Wilson	MATL:	Wilson	TOLERANCE	Mason	DATE	10.06.2010
APPD:	Schumi			FINISH	Jamy		Sheet No.	2 from 4	

[www.edcon-components.com](http://www.edcon-components.com)

email: [info@edcon-components.com](mailto:info@edcon-components.com)

# EDCON-COMPONENTS



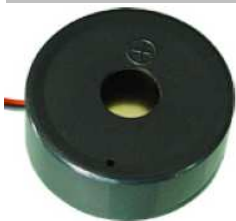
## Ordering Informations

Serie	Model-No.	ROHS	Package						
I19021	30F122.8W100	R	TY						

<b>R</b> = ROHS Conform	<b>TY</b> = Tray Packing
<b>N</b> = NON ROHS Conform	<b>BU</b> = Tube Packing

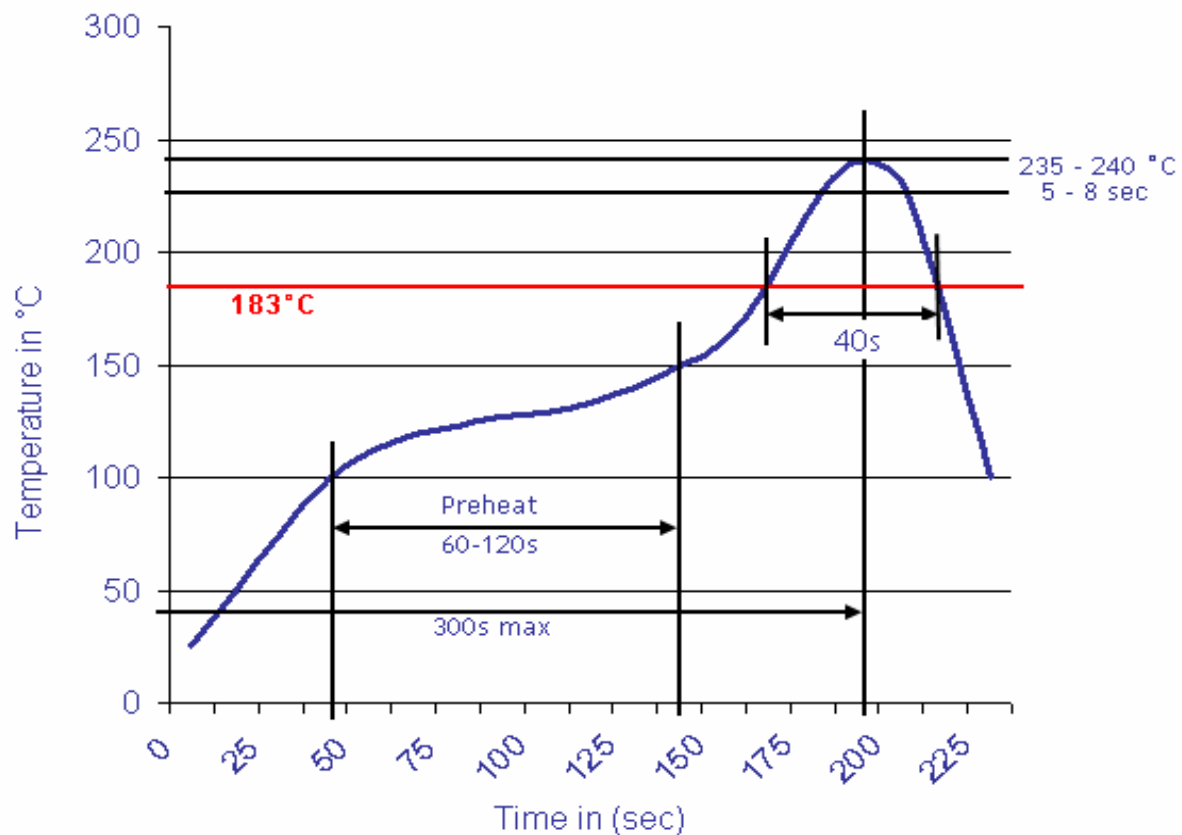
<b>THT Piezo Buzzer</b>	
Part No.:	<b>I19021</b>
Customer:	

DRW:	Jason	CHKD	Wilson	MATL:	Wilson	TOLERANCE	Mason	DATE	10.06.2010
APPD:	Schumi			FINISH	Jamy		Sheet No.	3 from 4	



Soldering Profile Curve

Classification Reflow Profile (JEDEC J-STD-020C)



<b>THT Piezo Buzzer</b>	
Part No.:	<b>I19021</b>
Customer:	

DRW:	Jason	CHKD	Wilson	MATL:	Wilson	TOLERANCE	Mason	DATE	10.06.2010
APPD:	Schumi			FINISH	Jamy		Sheet No.	4 from 4	