

EDCON-COMPONENTS



Specifications

| | |
|------------------------|------------------|
| Rated Voltage: | 12 VDC |
| Operating Voltage: | 3~20VDC |
| Rated Current: | 12mA max. |
| Typical Sound Output: | 95B min. |
| Resonant Frequency | 4000Hz +/-500Hz |
| Tone | Continuos |
| Operating Temperature: | . -30°C to +80°C |
| Storage Temperature: | . -40°C to +90°C |
| Weight | 5 gr. |

| | |
|-----------------------|---|
| Life Test | Operate the part at 12VDC in room temeprature continuously 1000hrs |
| Operating Temperature | Driving from -20°to +70°C within 30minutes for 2 cyc les |
| High Temperature | . +85°C +/-2°C, 120hours |
| Low Temperature | . -30°C +/-2°C, 120hours |
| Humidity | .+ 60°C +/-2°C, 90-95% RH, 120hours |
| Thermal Shock | . -20°C / +/- 2°C, 1hr> +20°C, 5min, > +70°C +/-2°C , 1hr> +20°C, 5min 5cycles |
| Shock | 980/s ² (=100g) shock for each 3 mutually perpendicular directions to each of 3 times by half sine wave. |
| Vibration | 1,5mm with 10 to 50Hz of vibration frequency to each of 3perpendicular direction for 2 hrs. |
| Drop Test | Dropped naturally from 700mm height onto the surface of 10mm thick wooden board. 2 directions- upper and side of the part are to be applied |

Features

Reliable Solid State Piezoelectric Technology
Corrosion Resistance Diaphragm
Flame Retardant Plastic

Applications

Automatic Control Equipment
Communication Equipment
Electronic Instruments

Warranty

All specifications must be satisfied after the test (Recovery: 2 to 4 hrs of recovery under the standard condition after the removal from test chamber).

THT Piezo Buzzer

Part No.: **I19011**

Customer:

| | | | | | | | | | |
|-------|--------|------|--------|--------|--------|-----------|-----------|------|------------|
| DRW: | Jason | CHKD | Wilson | MATL: | Wilson | TOLERANCE | Mason | DATE | 10.06.2010 |
| APPD: | Schumi | | | FINISH | Jamy | | Sheet No. | | 1 from 4 |

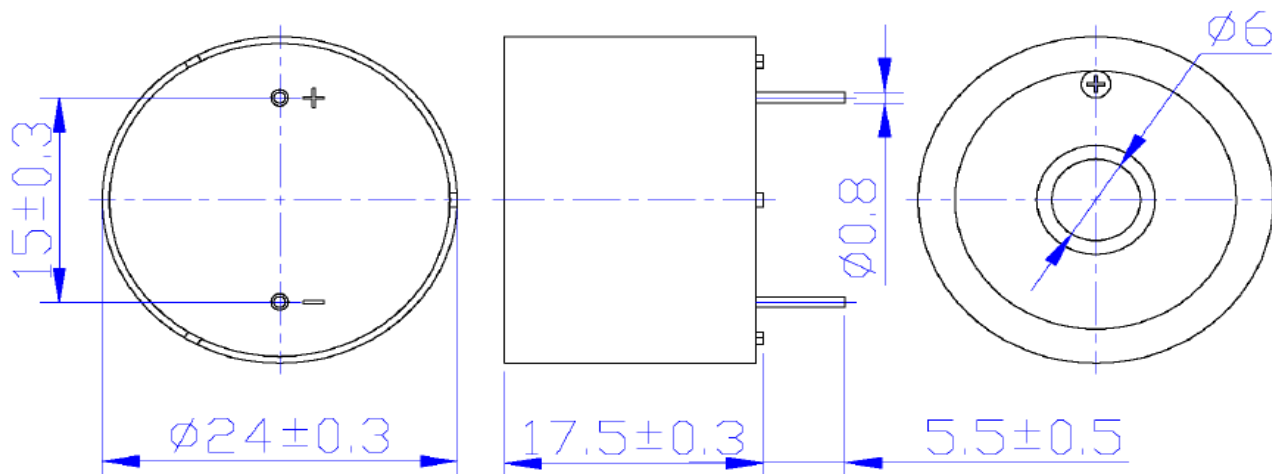
www.edcon-components.com

email: info@edcon-components.com

EDCON-COMPONENTS



Dimensions (mm)



Characteristics



THT Piezo Buzzer

Part No.: **I19011**

Customer:

| | | | | | | | | | |
|-------|--------|------|--------|--------|--------|-----------|-----------|----------|------------|
| DRW: | Jason | CHKD | Wilson | MATL: | Wilson | TOLERANCE | Mason | DATE | 10.06.2010 |
| APPD: | Schumi | | | FINISH | Jamy | | Sheet No. | 2 from 4 | |

www.edcon-components.com

email: info@edcon-components.com

EDCON-COMPONENTS



Ordering Informations

| Serie | Model-No. | ROHS | Package | | | | | | |
|--------|-----------|------|---------|--|--|--|--|--|--|
| I19011 | 24C124.0 | R | TY | | | | | | |

| | |
|-----------------------------|--------------------------|
| R = ROHS Conform | TY = Tray Packing |
| N = NON ROHS Conform | BU = Tube Packing |

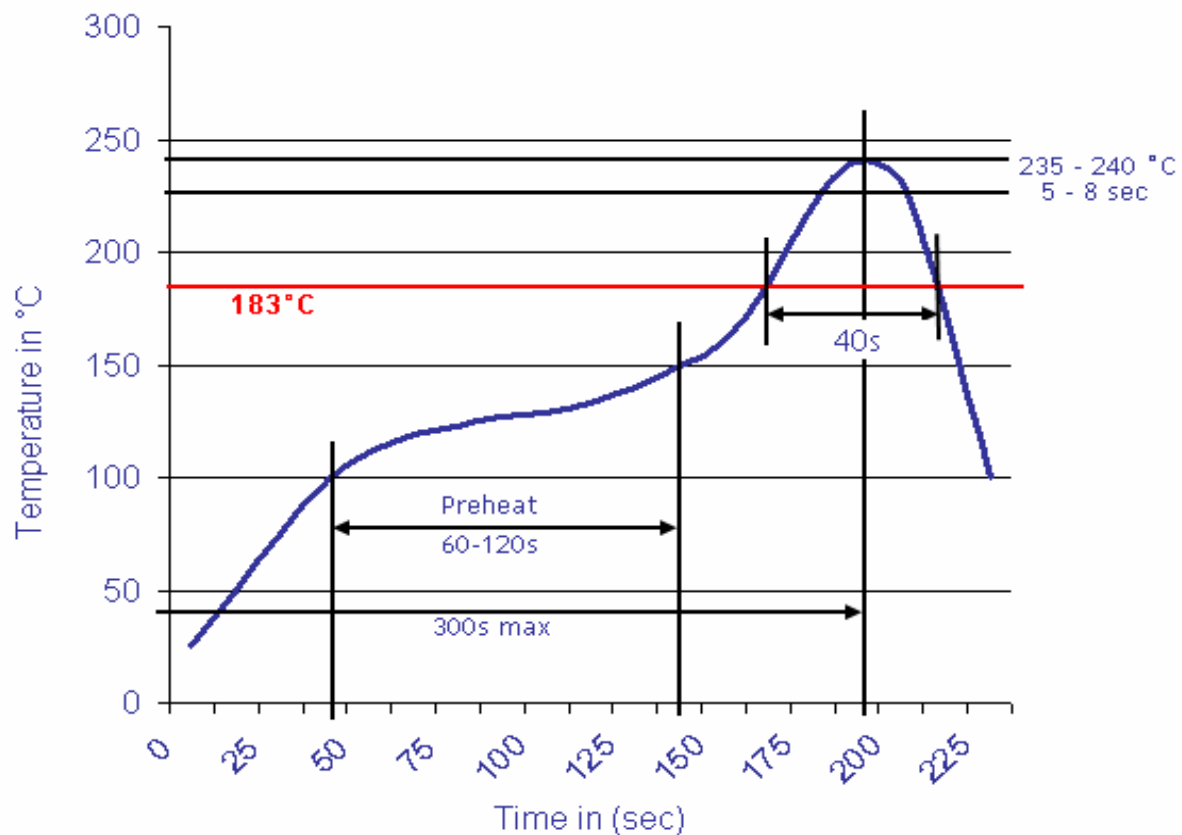
| | |
|-------------------------|---------------|
| THT Piezo Buzzer | |
| Part No.: | I19011 |
| Customer: | |

| | | | | | | | | | |
|-------|--------|------|--------|--------|--------|-----------|-------|-----------|------------|
| DRW: | Jason | CHKD | Wilson | MATL: | Wilson | TOLERANCE | Mason | DATE | 10.06.2010 |
| APPD: | Schumi | | | FINISH | Jamy | | | Sheet No. | 3 from 4 |



Soldering Profile Curve

Classification Reflow Profile (JEDEC J-STD-020C)



| | |
|-------------------------|---------------|
| THT Piezo Buzzer | |
| Part No.: | I19011 |
| Customer: | |

| | | | | | | | | | |
|-------|--------|------|--------|--------|--------|-----------|-----------|----------|------------|
| DRW: | Jason | CHKD | Wilson | MATL: | Wilson | TOLERANCE | Mason | DATE | 10.06.2010 |
| APPD: | Schumi | | | FINISH | Jamy | | Sheet No. | 4 from 4 | |