

# EDCON-COMPONENTS



## Specifications

Rated Voltage: 12 VDC  
 Operating Voltage: 6~20VDC  
 Rated Current: 15mA  
 Capacitance at 100Hz : 25000pf +/-30%  
 Typical Sound Output: 105 dB min ( 10cm)  
 Resonant Frequency: 3200 Hz +/-500Hz

Operating Temperature: . -20°C to +70°C  
 Storage Temperature: . -30°C to +80°C  
 Weight 9,1 gr.

Life Test: Operate at Rat. V in room temperature continuously for 1000hours  
 Operating Temperature: Driving from -20°C to +70°C with in 30minutes for 2 cycles  
 High Temperature: . +80°C +/-2°C, 120hrs  
 Low Temperature: . -30°C +/-2°C, 120hrs  
 Humidity: . +60°C +/-2°C, 90-95%RH, 120hrs  
 Thermal Shock: . -30°C +/-2°C, 1hrs > +20°C, 5min, > +8 0°C +/-2°C, 5min, 5cycles  
 Shock: 980/s<sup>2</sup> (=100g) shock for each 3mutually perpendicular directions to each of 3 times by sine half sine wave  
 Vibration: 1,5mm with 10 to 50Hz of vibration frequency to each 3 perpendicular for 2hrs.  
 Drop Test: Dropped naturally from 700mm height onto surface of 10mm thick wooden board. 2directions- upper and side of the part are to be applied.

## Features

Reliable Solid State Piezoelectric Technology  
 Corrosion Resistance Diaphragm  
 Flame Retardant Plastic  
 Tape and Reel Packaging for auto mounting

## Applications

Automatic Control Equipment  
 Communication Equipment  
 Electronic Instruments

## Warranty

SPL change: within +/- 10dB of the initial value ( Recovery: 1 to 4 hrs of recovery under the standard condition after the removal from test chamber).

### THT Piezo Transducer

Part No.: **I17048**

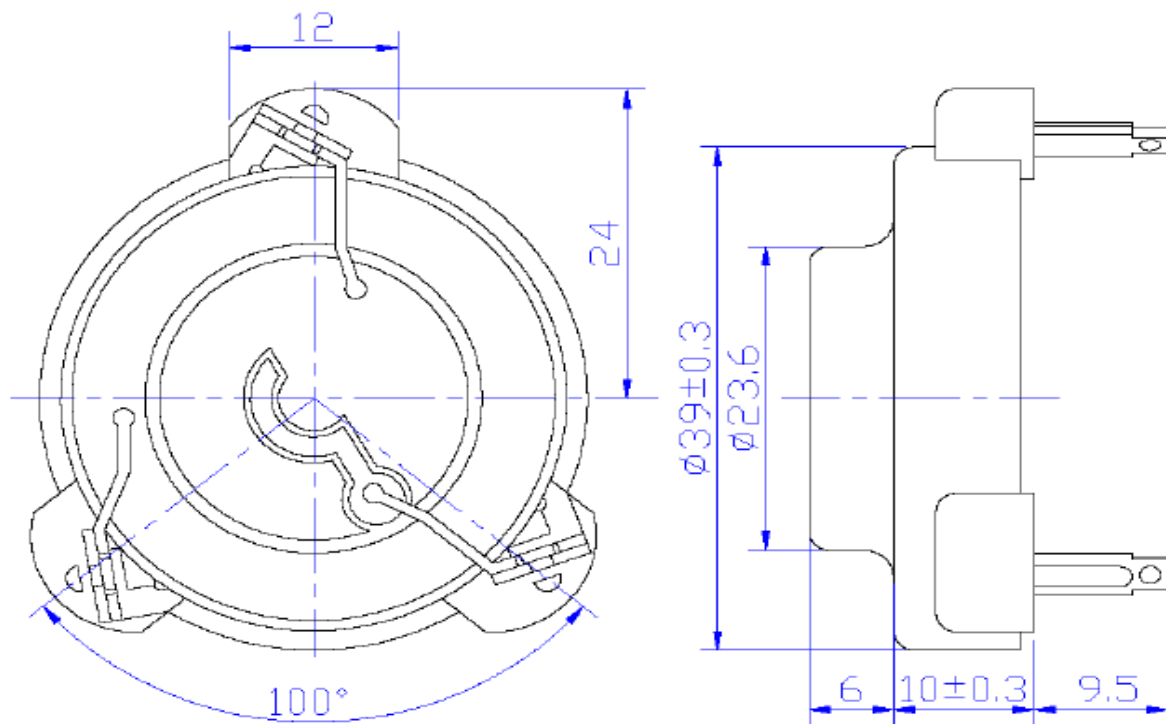
Customer:

DRW:	Jason	CHKD	Wilson	MATL:	Wilson	TOLERANCE	Mason	DATE	10.06.2010
APPD:	Schumi			FINISH	Jamy		Sheet No.		1 from 4

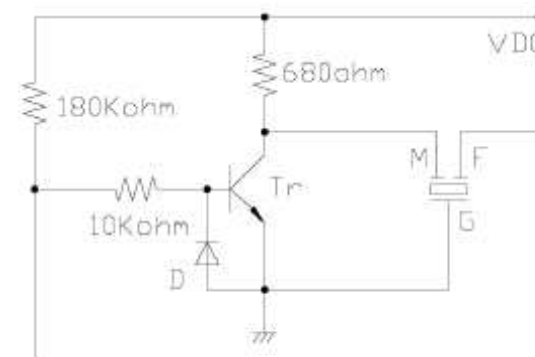
# EDCON-COMPONENTS



## Dimensions (mm)



## Drive Circuit



Tr: 2N3053 or equivalent  
 D: 1N4148 or equivalent

### THT Piezo Transducer

Part No.: **I17048**

DRW:	Jason	CHKD	Wilson	MATL:	Wilson	TOLERANCE	Mason	DATE	10.06.2010	Customer:
APPD:	Schumi			FINISH	Jamy		Sheet No.	2 from 4		

[www.edcon-components.com](http://www.edcon-components.com)

email: [info@edcon-components.com](mailto:info@edcon-components.com)

# EDCON-COMPONENTS



## Ordering Informations

Serie	Model-No.	ROHS	Package						
<b>I17048</b>	<b>39YF093.2</b>	<b>R</b>	<b>TY</b>						

<b>R</b> = ROHS Conform	<b>TY</b> = Tray Packing
<b>N</b> = NON ROHS Conform	<b>TU</b> = Tube Packing

**THT Piezo Transducer**

Part No.: **I17048**

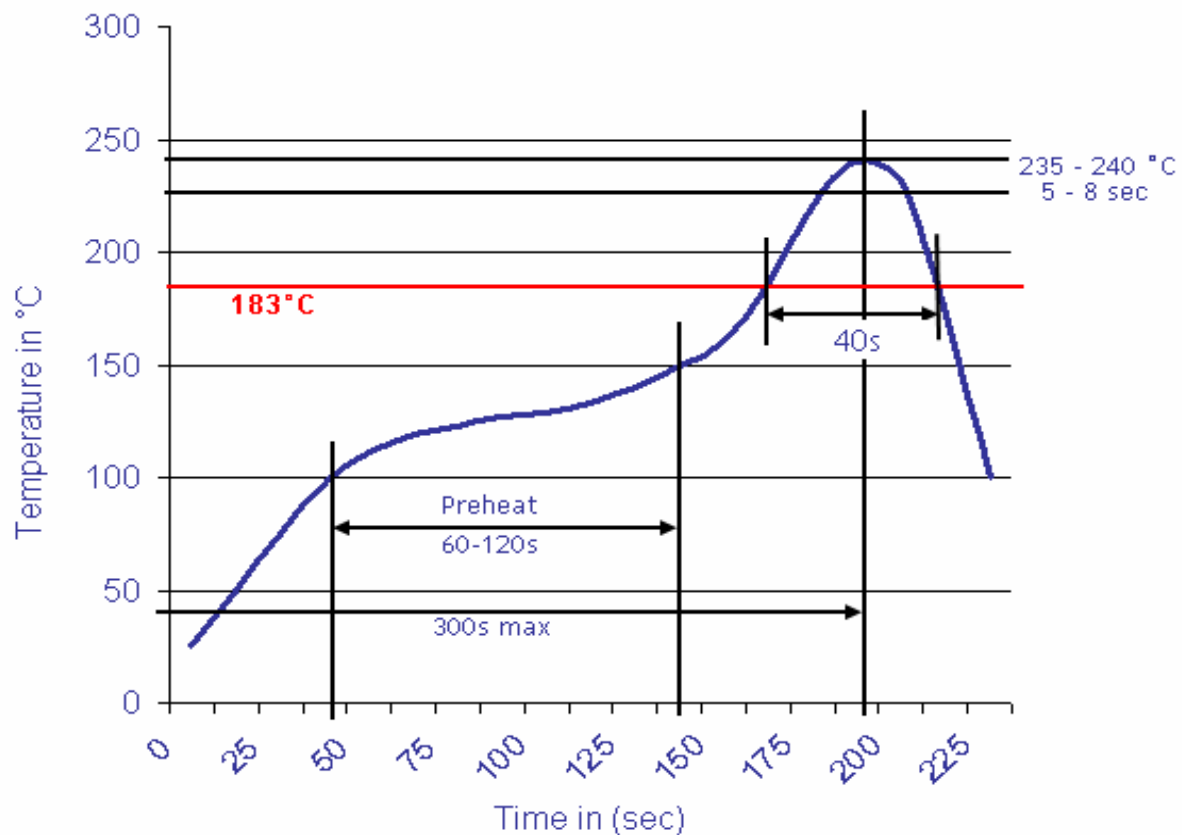
DRW:	Jason	CHKD	Wilson	MATL:	Wilson	TOLERANCE	Mason	DATE	10.06.2010
APPD:	Schumi			FINISH	Jamy		Sheet No.		3 from 4

Customer:



Soldering Profile Curve

Classification Reflow Profile (JEDEC J-STD-020C)



**THT Piezo Transducer**

Part No.: **I17048**

DRW:	Jason	CHKD	Wilson	MATL:	Wilson	TOLERANCE	Mason	DATE	10.06.2010
APPD:	Schumi			FINISH	Jamy		Sheet No.	4 from 4	Customer: