

EDCON-COMPONENTS



Specifications

Rated Voltage: 12Vp-p max. square wave
 Operating Voltage: 3~50Vp-p max. square wave
 Rated Current: 20mA at 3Vp-p
 Capacitance at 100Hz : 250000pf +/-30%
 Typical Sound Output: 90 dB min square wave (10cm)
 Resonant Frequency: 2500 Hz +/-500Hz

Operating Temperature: . -40°C to +85°C
 Storage Temperature: . -40°C to +85°C
 Weight 15 gr.

Life Test: Operate at Rat. V in room temperature continuously for 1000hours
 Operating Temperature: Driving from -20°C to +70°C within 30minutes for 2 cycles
 High Temperature: . +80°C +/-2°C, 120hrs
 Low Temperatur: . -30°C +/-2°C, 120hrs
 Humidity: . +60°C +/-2°C, 90-95%RH, 120hrs
 Thermal Shock: . -30°C +/-2°C, 1hrs> +20°C, 5min, > +80°C +/-2°C, 5min, 5cycles
 Shock: 980/s² (=100g) shock for each 3mutually perpendicular directions to each of 3 times by sine half sine wave
 Vibration: 1,5mm with 10 to 50Hz of vibration frequency to each 3 perpendicular for 2hrs.
 Drop Test: Dropped naturally from 700mm height onto surface of 10mm thick wooden board. 2directions- upper and side of the part are to be applied.

Features

Reliable Solid State Piezoelectric Technology
 Corrosion Resistance Diaphragm
 Flame Retardant Plastic
 Tape and Reel Packaging for auto mounting

Applications

Automatic Control Equipment
 Communication Equipment
 Electronic Instruments

Warranty

SPL change: within +/- 10dB of the initial value (Recovery: 1 to 4 hrs of recovery under the standard condition after the removal from test chamber).

THT Piezo Transducer

Part No.: **Y17042**

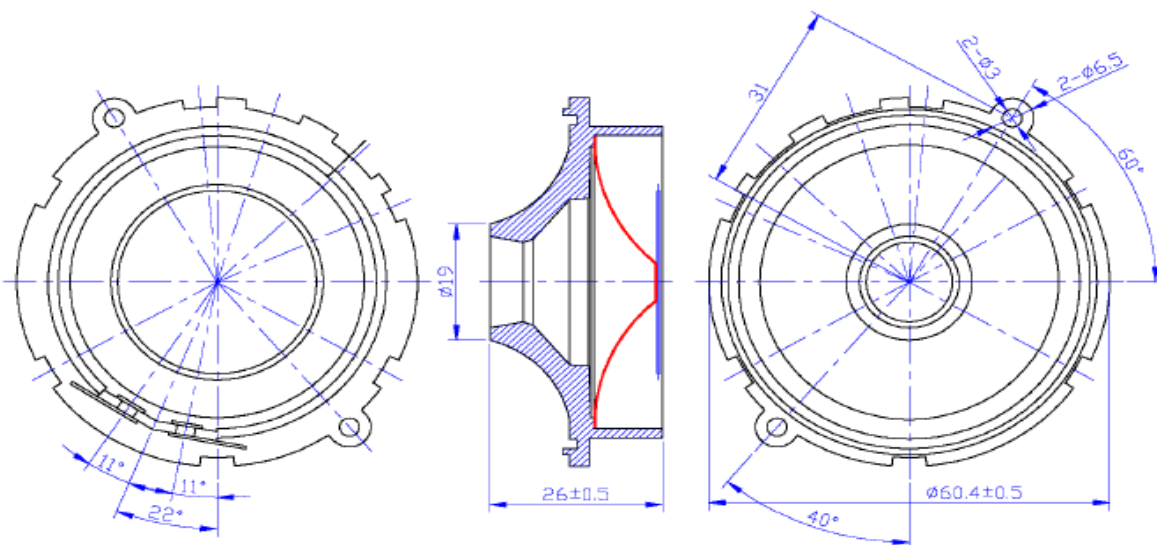
Customer:

DRW:	Jason	CHKD	Wilson	MATL:	Wilson	TOLERANCE	Mason	DATE	10.06.2010
APPD:	Schumi			FINISH	Jamy		Sheet No.		1 from 4

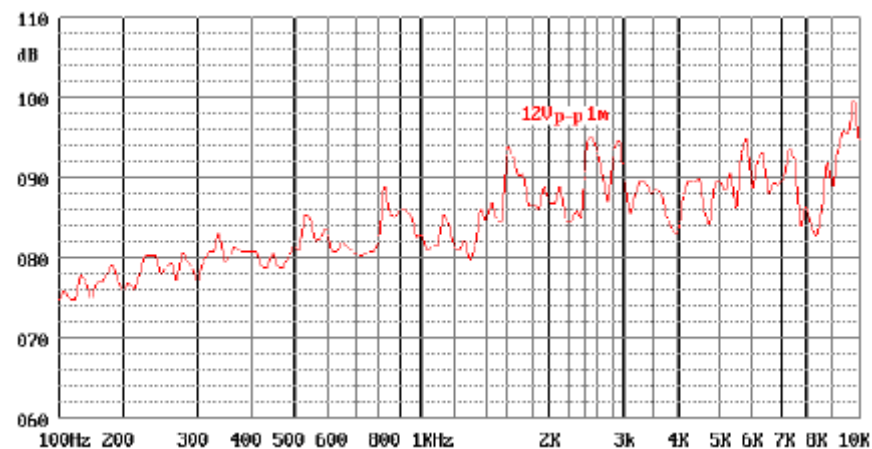
EDCON-COMPONENTS



Dimensions (mm)



Characteristics



THT Piezo Transducer

Part No.: **Y17042**

DRW:	Jason	CHKD	Wilson	MATL:	Wilson	TOLERANCE	Mason	DATE	10.06.2010
APPD:	Schumi			FINISH	Jamy		Sheet No.	2 from 4	

Customer:

www.edcon-components.com

email: info@edcon-components.com

EDCON-COMPONENTS



Ordering Informations

Serie	Model-No.	ROHS	Package						
Y17042	60A122.5C12W45	R	TY						

R = ROHS Conform	TY = Tray Packing
N = NON ROHS Conform	TU = Tube Packing

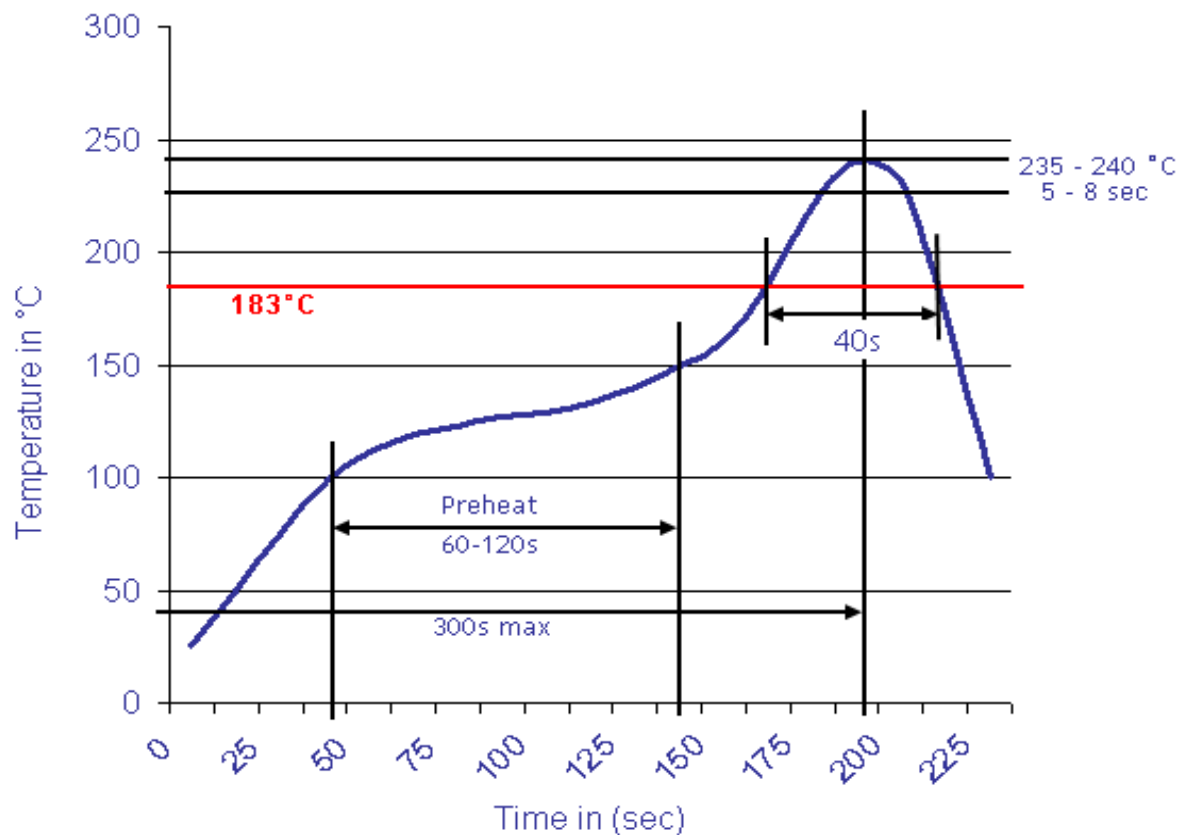
THT Piezo Transducer	
Part No.:	Y17042
Customer:	

DRW:	Jason	CHKD	Wilson	MATL:	Wilson	TOLERANCE	Mason	DATE	10.06.2010
APPD:	Schumi			FINISH	Jamy		Sheet No.		3 from 4



Soldering Profile Curve

Classification Reflow Profile (JEDEC J-STD-020C)



THT Piezo Transducer

Part No.: **Y17042**

DRW:	Jason	CHKD	Wilson	MATL:	Wilson	TOLERANCE	Mason	DATE	10.06.2010
APPD:	Schumi			FINISH	Jamy		Sheet No.	4 from 4	Customer: