

# EDCON-COMPONENTS



## Specifications

Rated Voltage:	12Vp-p max. square wave
Operating Voltage:	1~ 30Vp-p max. square wave
Rated Current:	3mA at 3Vp-p
Capacitance at 100Hz :	70000pf +/-30%
Typical Sound Output:	85 dB min square wave ( 10cm)
Resonant Frequency:	1100 Hz +/-500Hz
Operating Temperature:	. -20°C to +60°C
Storage Temperature:	. -30°C to +70°C
Weight	11,5 gr.

Life Test:	Operate at Rat. V in room temperature continuously for 1000hours
Operating Temperature:	Driving from -20°C to +70°C within 30minutes for 2 cycles
High Temperature:	. +80°C +/-2°C, 120hrs
Low Temperatur:	. -30°C +/-2°C, 120hrs
Humidity:	. +60°C +/-2°C, 90-95%RH, 120hrs
Thermal Shock:	. -30°C +/-2°C, 1hrs> +20°C, 5min, > +80°C +/-2°C, 5min, 5cycles
Shock:	980/s <sup>2</sup> (=100g) shock for each 3mutually perpendicular directions to each of 3 times by sine half sine wave
Vibration:	1,5mm with 10 to 50Hz of vibration frequency to each 3 perpendicular for 2hrs.
Drop Test:	Dropped naturally from 700mm height onto surface of 10mm thick wooden board. 2directions- upper and side of the part are to by applied.

## Features

Reliable Solid State Piezoelectric Technology  
 Corrosion Resistance Diaphragm  
 Flame Retardant Plastic  
 Tape and Reel Packaging for auto mounting

## Applications

Automatic Control Equipment  
 Communication Equipment  
 Electronic Instruments

## Warranty

SPL change: within +/- 10dB of the initial value ( Recovery: 1 to 4 hrs of recovery under the standard condition after the removal from test chamber).

### THT Piezo Transducer

Part No.: **Y17038**

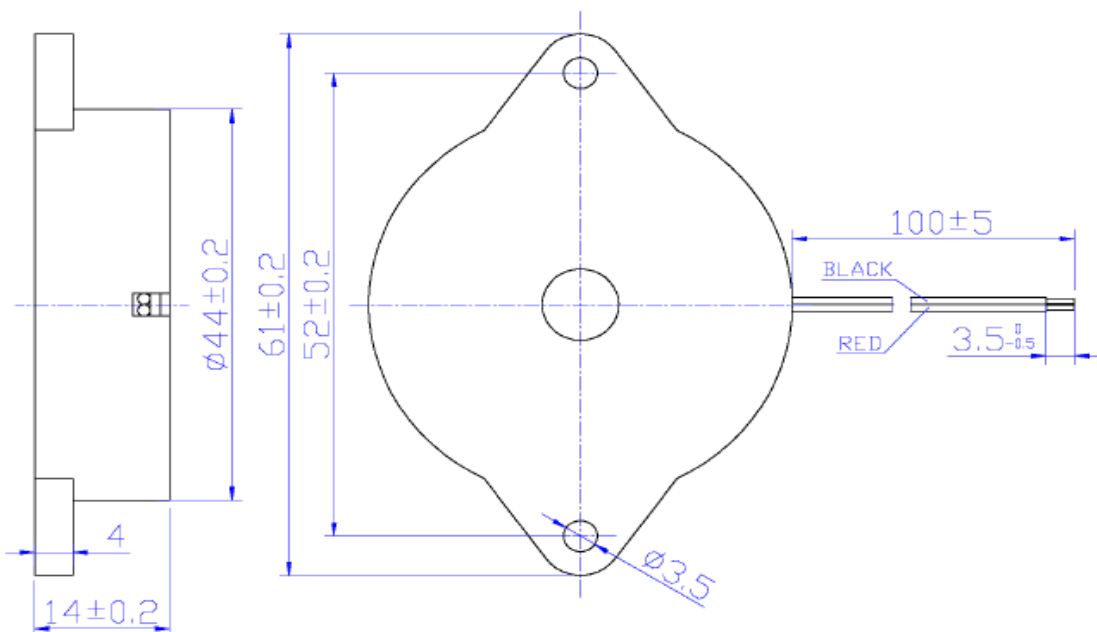
Customer:

DRW:	Jason	CHKD	Wilson	MATL:	Wilson	TOLERANCE	Mason	DATE	10.06.2010
APPD:	Schumi			FINISH	Jamy		Sheet No.		1 from 4

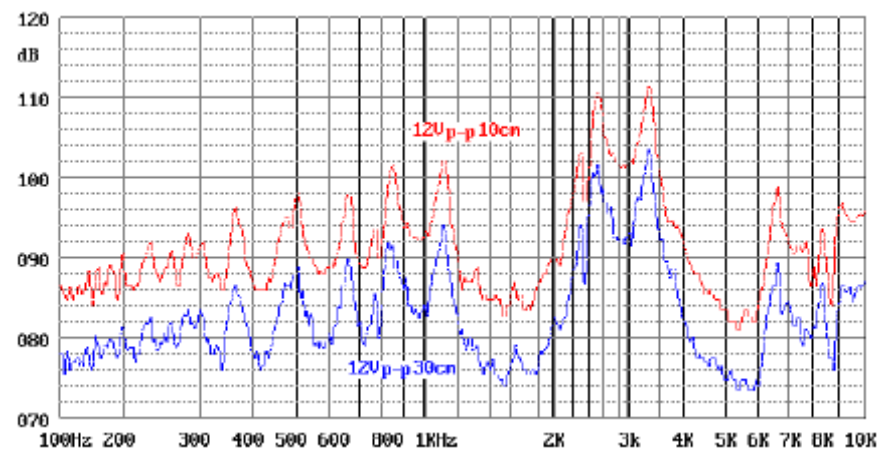
# EDCON-COMPONENTS



## Dimensions (mm)



## Characteristics



**THT Piezo Transducer**

Part No.: **Y17038**

DRW:	Jason	CHKD	Wilson	MATL:	Wilson	TOLERANCE	Mason	DATE	10.06.2010
APPD:	Schumi			FINISH	Jamy		Sheet No.	2 from 4	

Customer:

# EDCON-COMPONENTS



## Ordering Informations

Serie	Model-No.	ROHS	Package						
Y17038	44B121.1W100	R	TY						

<b>R</b> = ROHS Conform	<b>TY</b> = Tray Packing
<b>N</b> = NON ROHS Conform	<b>TU</b> = Tube Packing

**THT Piezo Transducer**

Part No.: **Y17038**

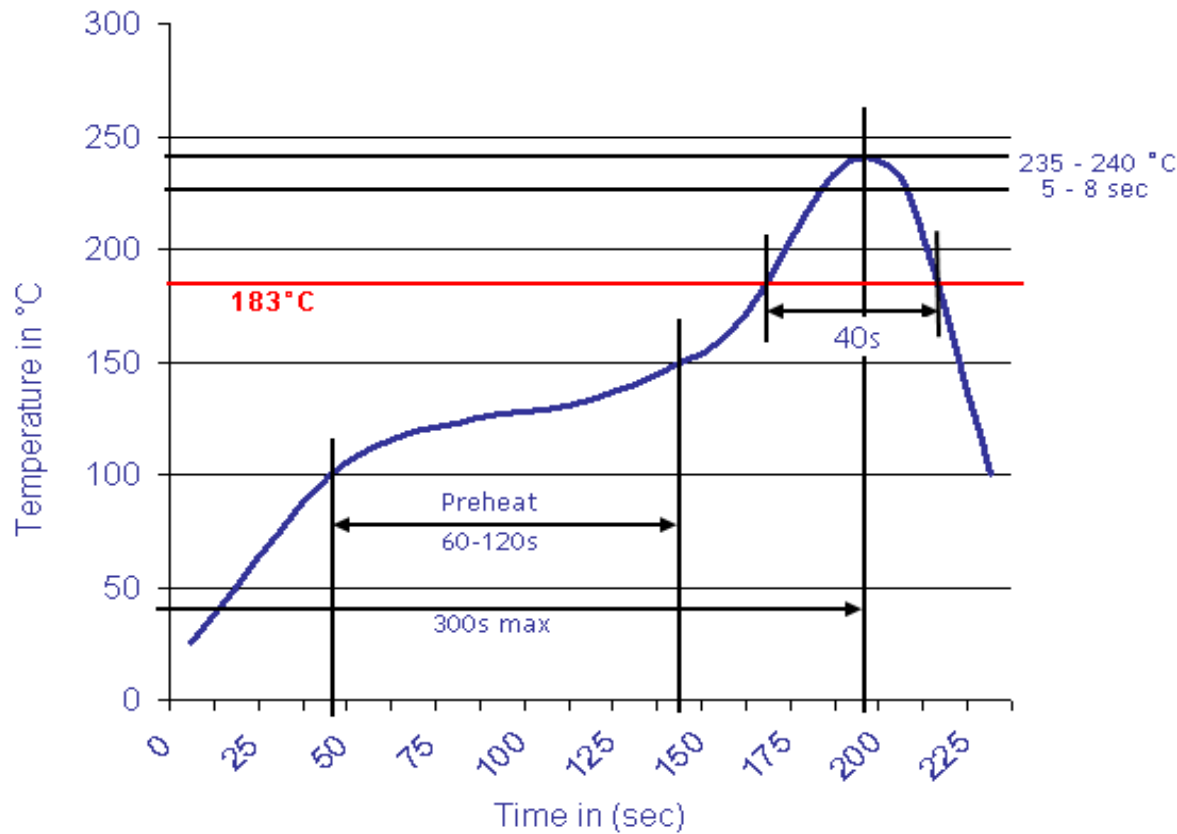
DRW:	Jason	CHKD	Wilson	MATL:	Wilson	TOLERANCE	Mason	DATE	10.06.2010
APPD:	Schumi			FINISH	Jamy		Sheet No.		3 from 4

Customer:



Soldering Profile Curve

Classification Reflow Profile (JEDEC J-STD-020C)



<b>THT Piezo Transducer</b>	
Part No.:	<b>Y17038</b>
Customer:	

DRW:	Jason	CHKD	Wilson	MATL:	Wilson	TOLERANCE	Mason	DATE	10.06.2010
APPD:	Schumi			FINISH	Jamy		Sheet No.	4 from 4	