

# EDCON-COMPONENTS



## Specifications

Rated Voltage: 10Vp-p max. square wave  
 Operating Voltage: 1~ 30Vp-p max. square wave  
 Rated Current: 2mA at 3Vp-p  
 Capacitance at 100Hz : 25000pf +/-30%  
 Typical Sound Output: 90 dB min square wave ( 10cm)  
 Resonant Frequency: 2800 Hz +/-500Hz

Operating Temperature: . -20°C to +70°C  
 Storage Temperature: . -30°C to +80°C  
 Weight 4,2gr.

Life Test: Operate at Rat. V in room temperature continuously for 1000hours  
 Operating Temperature: Driving from -20°C to +70°C within 30minutes for 2 cycles  
 High Temperature: . +80°C +/-2°C, 120hrs  
 Low Temperatur: . -30°C +/-2°C, 120hrs  
 Humidity: . +60°C +/-2°C, 90-95%RH, 120hrs  
 Thermal Shock: . -30°C +/-2°C, 1hrs> +20°C, 5min, > +80°C +/-2°C, 5min, 5cycles  
 Shock: 980/s<sup>2</sup> (=100g) shock for each 3mutually perpendicular directions to each of 3 times by sine half sine wave  
 Vibration: 1,5mm with 10 to 50Hz of vibration frequency to each 3 perpendicular for 2hrs.  
 Drop Test: Dropped naturally from 700mm height onto surface of 10mm thick wooden board. 2directions- upper and side of the part are to by applied.

## Features

Reliable Solid State Piezoelectric Technology  
 Corrosion Resistance Diaphragm  
 Flame Retardant Plastic  
 Tape and Reel Packaging for auto mounting

## Applications

Automatic Control Equipment  
 Communication Equipment  
 Electronic Instruments

## Warranty

SPL change: within +/- 10dB of the initial value ( Recovery: 1 to 4 hrs of recovery under the standard condition after the removal from test chamber).

### THT Piezo Transducer

Part No.: **Y17031**

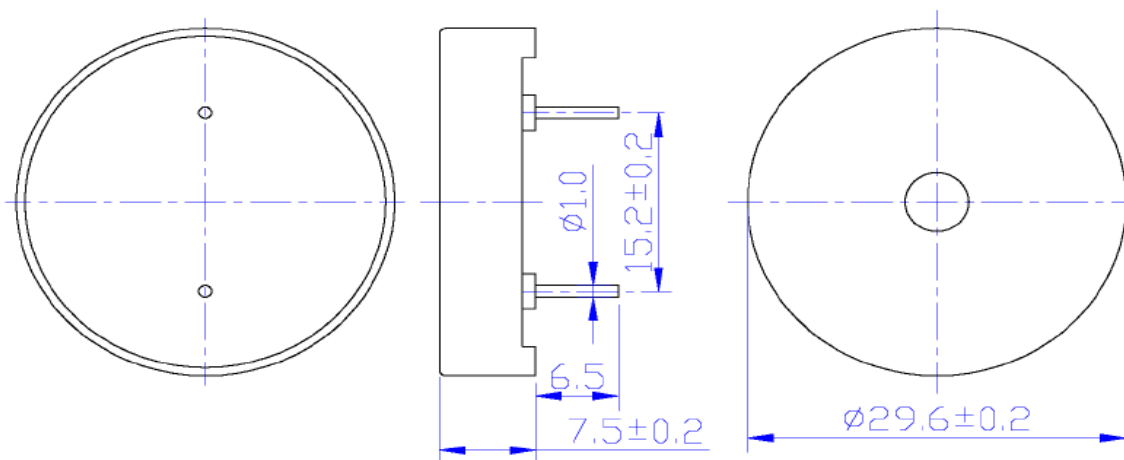
Customer:

DRW:	Jason	CHKD	Wilson	MATL:	Wilson	TOLERANCE	Mason	DATE	10.06.2010
APPD:	Schumi			FINISH	Jamy		Sheet No.		1 from 4

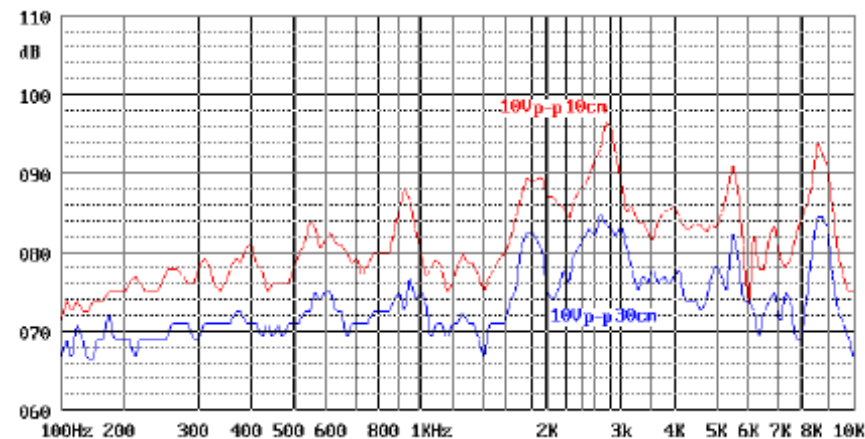
# EDCON-COMPONENTS



## Dimensions (mm)



## Characteristics



**THT Piezo Transducer**

Part No.: **Y17031**

DRW:	Jason	CHKD	Wilson	MATL:	Wilson	TOLERANCE	Mason	DATE	10.06.2010
APPD:	Schumi			FINISH	Jamy		Sheet No.	2 from 4	

Customer:

[www.edcon-components.com](http://www.edcon-components.com)

email: [info@edcon-components.com](mailto:info@edcon-components.com)

# EDCON-COMPONENTS



## Ordering Informations

Serie	Model-No.	ROHS	Package						
Y17031	30A102.8	R	TY						

<b>R</b> = ROHS Conform	<b>TY</b> = Tray Packing
<b>N</b> = NON ROHS Conform	<b>TU</b> = Tube Packing

**THT Piezo Transducer**

Part No.: **Y17031**

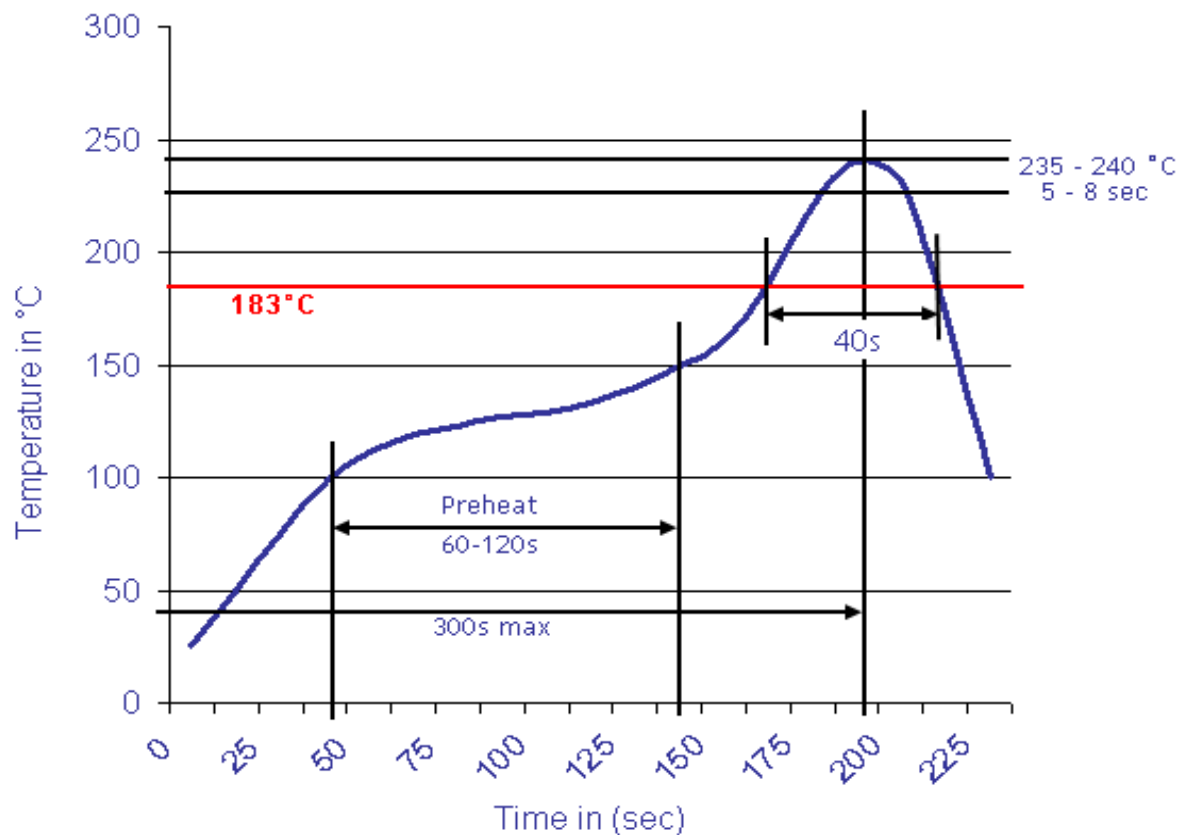
DRW:	Jason	CHKD	Wilson	MATL:	Wilson	TOLERANCE	Mason	DATE	10.06.2010
APPD:	Schumi			FINISH	Jamy		Sheet No.		3 from 4

Customer:



Soldering Profile Curve

Classification Reflow Profile (JEDEC J-STD-020C)



**THT Piezo Transducer**

Part No.: **Y17031**

Customer:

DRW:	Jason	CHKD	Wilson	MATL:	Wilson	TOLERANCE	Mason	DATE	10.06.2010
APPD:	Schumi			FINISH	Jamy		Sheet No.	4 from 4	