

**Type Code**

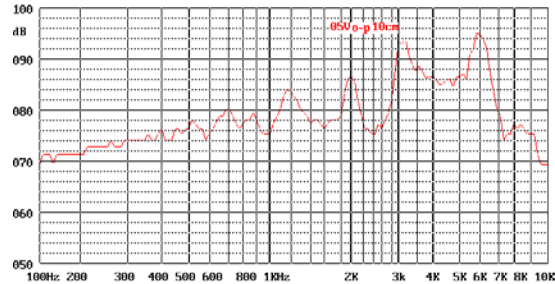
**CET09K05-50-3.1**

Chinasound **E**lectro-magnetic **T**ransducer 9mm diameter, type **K**(=4.0mm height, side fire sound hole), 5Vp-p rated voltage - 50ohm coil resistance - 3.1KHz resonant frequency

**Picture**



**Frequency Response Curve**



**Technical Terms**

Type	CET09K05-50-3.1	
Rated Voltage (square wave)	(Vo-p)	5
Operating Voltage	(Vo-p)	3~7
Rated Current at 5Vo-p, fo	(mA)	80 max.
Coil Resistance	(ohm)	50 ± 5
SPL at 5Vo-p,10cm, fo	(dB)	85 min.
Resonant Frequency	(Hz)	3100 ± 500
Operating Temperature	(°C)	-25~+70
Storage Temperature	(°C)	-30~+85
Weight	(g)	0.7

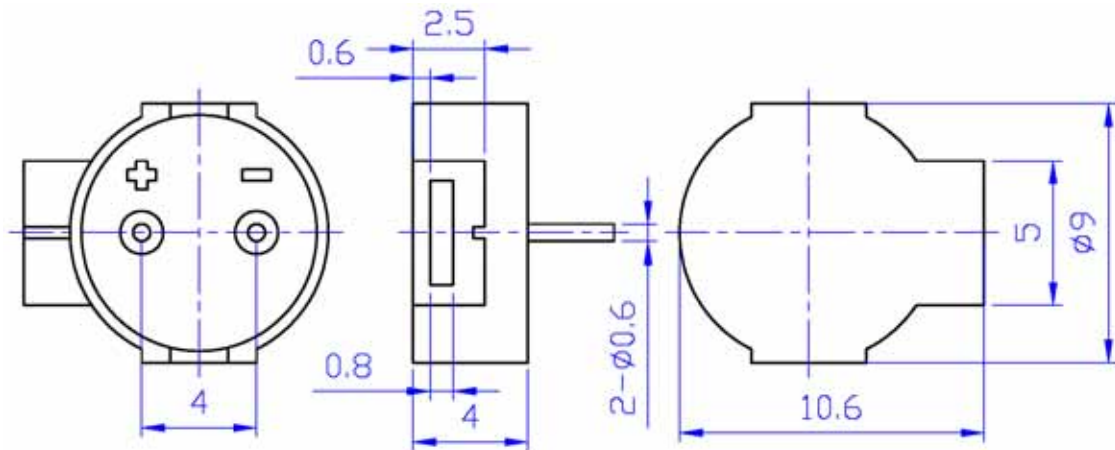
Other Rated Voltage and Coil Resistance are available.

**Reliability**

Life Test	Operate the part at 5Vo-p in room temperature continuously for 1000 hours.
Operating Temperature	Driving from -25 °C to +70 °C within 30 minutes for 2 cycles
High Temperature	+85 ± 2 °C for 96 hours
Low Temperature	-30 ± 2 °C for 96 hours
Humidity	25 °C ± 2 °C, 90-95%RH, 5hr → up to 55 °C ± 2 °C, 90-95%RH, 0.5hr → 55 °C ± 2 °C, 90-95%RH, 5hr → down to 25 °C ± 2 °C, 90-95%RH, 0.5hr, 10 cycles
Thermal Shock	-30°C ± °C, 30min → +20 °C, 15min, → +85 °C ± 2 °C, 30min → +20 °C, 15min, 5 cycles
Shock	98m/s <sup>2</sup> (=10g) shock for each 3 mutually perpendicular directions to each of 3 times by half sine wave
Vibration	1.5mm with 10 to 50Hz of vibration frequency to each of 3 perpendicular direction for 2 hrs
Drop Test	Dropped naturally from 700mm height onto the surface of 10mm thick wooden board. 2 directions - upper and side of the part are to be applied.

All specifications must be satisfied after the test (Recovery: 2 to 4 hrs of recovery under the standard condition after the removal from test chamber).

**Dimensions (Unit:mm)**



Tolerance: ± 0.3