

Description

CSEB13B05-2.4F:

Chinasound SMD Electro-magnetic Buzzer 12.8mm (<13mm) length, type B (=12.8 width, 7mm height, top fire sound hole), 05VDC rated voltage – 2.4KHz resonant frequency, lead Free reflowing solderable, RoHS compliant

◆ RoHS compliant

◆ Small size

◆ Flame Retardant Plastic

◆ Lead Free Reflowing Solderable

Picture



Characteristics



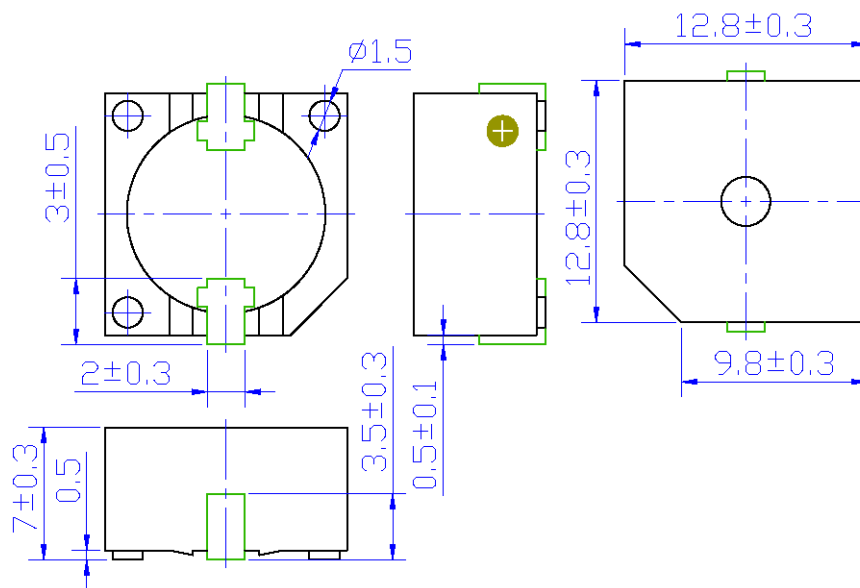
Specification

Rated Voltage	5 VDC
Operating Voltage	4 ~ 7 VDC
Rated Current	30 mA max. at 5 VDC
Sound Output	88dB min. at 5 VDC, 10cm
Operating Frequency	2400+/-400Hz
Operating Temperature	-30 °C to +85 °C
Storage Temperature	-40 °C to +90 °C
Termination	Description 2 soldering pins, Sn plated Brass
Construction Materials	Termination Strength Maximum of 9.8N load pull test, applied to each terminal in axial direction for 10 seconds
	Case Plastic, PPS A7-03A
	Diaphragm Ni Alloy Disc N50
Weight (Typical)	2.2 g
Reliability	*Life Test At 5 VDC in room temperature continuously for 1000 hours
	*High Temperature no function at +90+/-2 °C for 96 hours, function at +85+/-2 °C for 96 hours,
	*Low Temperature no function at -40+/-2 °C for 96 hours, function at -30+/-2 °C for 96 hours,
	*Humidity 25+/-2 °C, 90-95%RH, 5hr→up to 55+/-2 °C, 90-95%RH, 0.5hr →55+/-2 °C, 90-95%RH, 5hr→down to 25+/-2 °C, 90-95%RH, 0.5hr, 10 cycles
	*Thermal Shock -40+/-2 °C, 30min→+20 °C, 15min, →+85+/-2 °C, 30min→+20 °C, 15min, 5 cycles
	*Vibration 1.5mm with 10 to 50Hz of vibration frequency to each of 3 perpendicular direction for 2 hrs
	*Shock 98m/s ² (=10g) shock for each mutually perpendicular directions, half sine wave, 3 times each
	*Drop Test Dropped naturally from 750mm height onto the surface of 10mm wooden board. 2 directions – upper and side of the part are applied
	*Soldering Heat Resistance Samples put through reflowing soldering oven 2 twice
	**Solderability Samples put on PCB with solder paste through reflowing soldering oven 1 times

Warranty

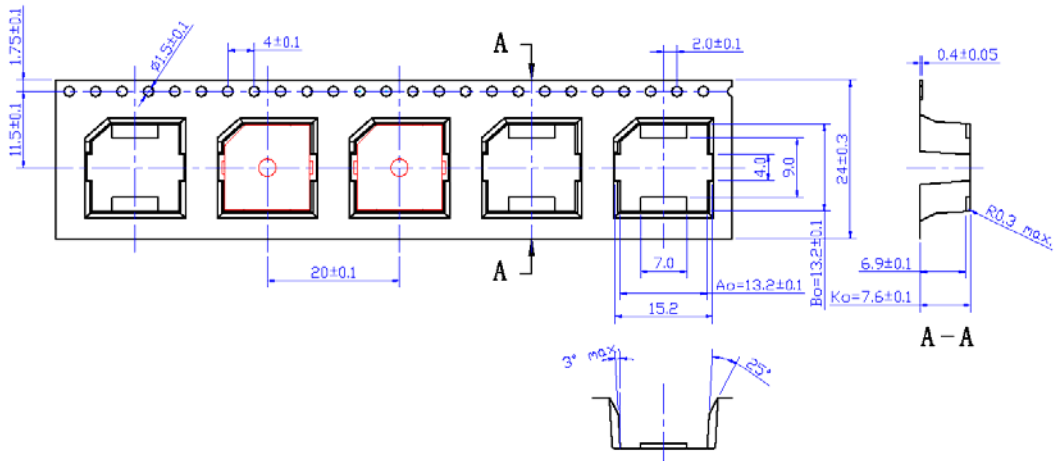
* All specifications must be satisfied after the test (Recovery:2 to 4 hrs of recovery under the standard condition after the removal from test chamber).
**90% min. soldering pads shall be with solder.(except the edge of pad)

Dimensions (Unit: mm)



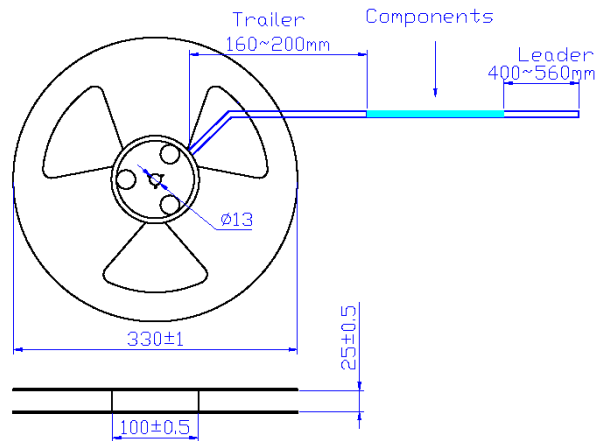
All specifications are subject to change without notice

Tape & Reel Dimensions (Unit:mm)

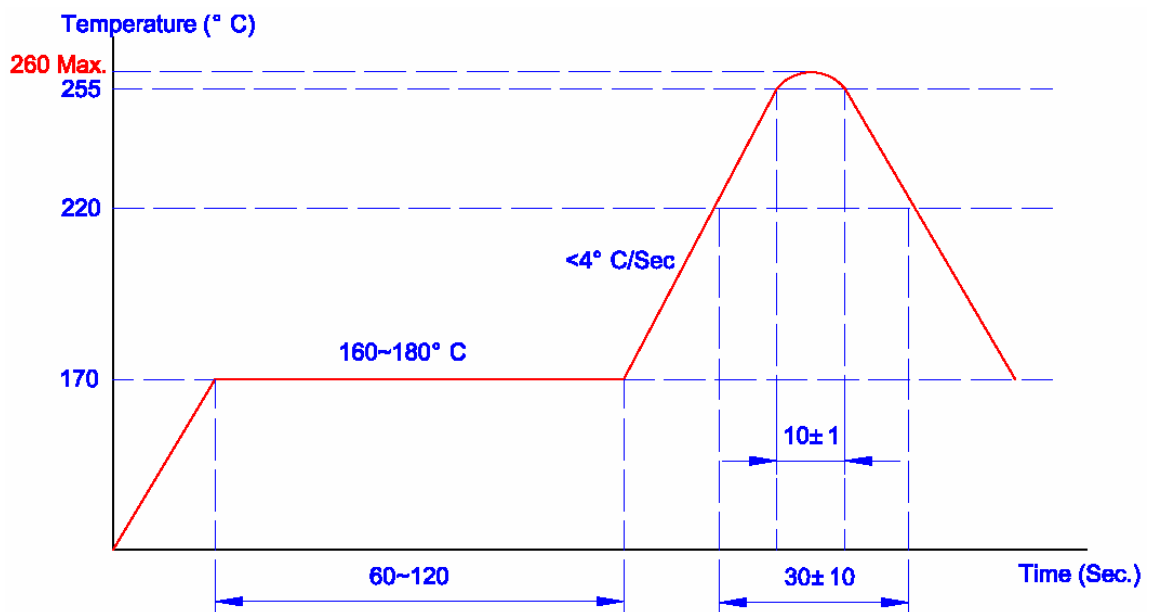


NOTE:

1. 10 sprocket hole pitch cumulative tolerance +/-0.20mm.
2. Carrier camber not to exceed 1 mm in 100 mm.
3. A0 and B0 measured on a plane on a place 0.30mm above the bottom of the pocket.
4. K0 measured from a plane on the inside bottom of the pocket to the top surface of the carrier.
5. All dimensions meet EIA-481-2-A requirements.
6. Component load per 13" Reel: 450 pcs.



Recommend Reflowing Profile



All specifications are subject to change without notice