

Description

CSEB10A05-2.7F:

Chinasound SMD Electro-magnetic Buzzer 9.6mm (<10mm) diameter, type A(=5mm height), 5VDC rated voltage - 2.7KHz resonant frequency, lead Free solderable and RoHS compliant

◆ RoHS compliant

◆ Small size

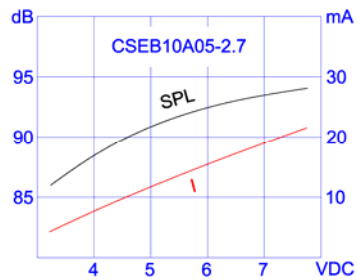
◆ Flame Retardant Plastic

◆ Lead Free Reflowing Solderable

Picture



Characteristics



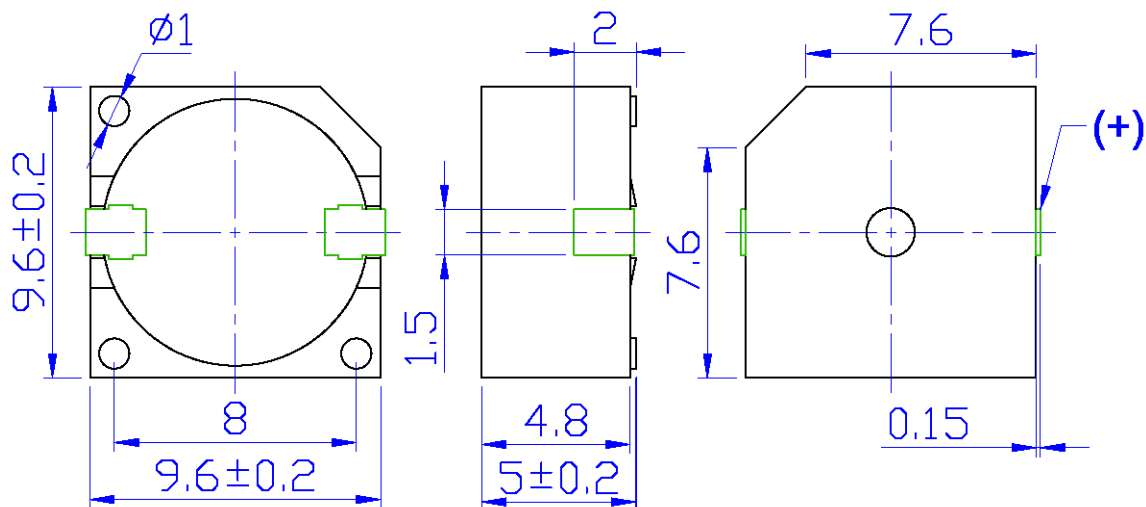
Specification

Rated Voltage	5 VDC
Operating Voltage	4 ~ 7 VDC
Rated Current	30 mA max. at 5 VDC
Sound Output	85dB min. at 5 VDC, 10cm
Operating Frequency	2700+/-300Hz
Operating Temperature	-30 °C to +85 °C
Storage Temperature	-40 °C to +90 °C
Termination	2 soldering pads, Sn plated Brass
Construction Materials	Maximum of 9.8N load pull test, applied to each terminal in axial direction for 10 seconds
Weight (Typical)	Plastic, PPS A7-03A
Reliability	Ni Alloy Disc N50
	1.0 g
	At 5 VDC in room temperature continuously for 1000 hours
	*Life Test
	*High Temperature
	*Low Temperature
	*Humidity
	*Thermal Shock
	*Vibration
	*Shock
	*Drop Test
	*Soldering Heat Resistance
	**Solderability

Warranty

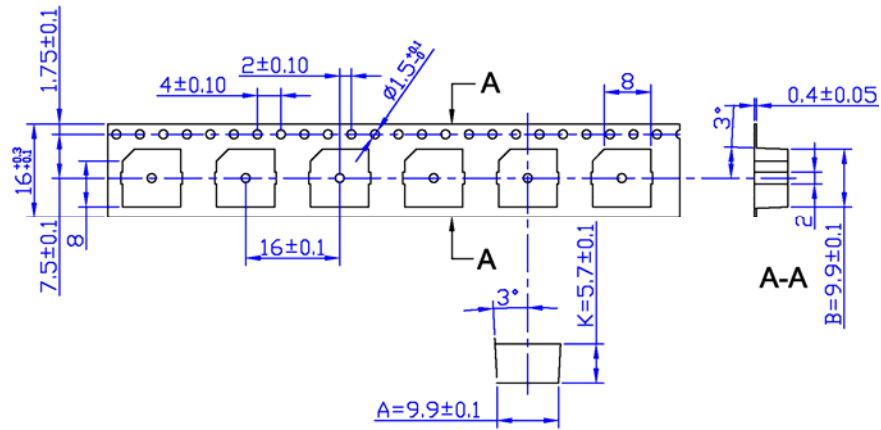
* All specifications must be satisfied after the test (Recovery:2 to 4 hrs of recovery under the standard condition after the removal from test chamber).
 **90% min. soldering pads shall be with solder.(except the edge of pad)

Dimensions (Unit: mm)



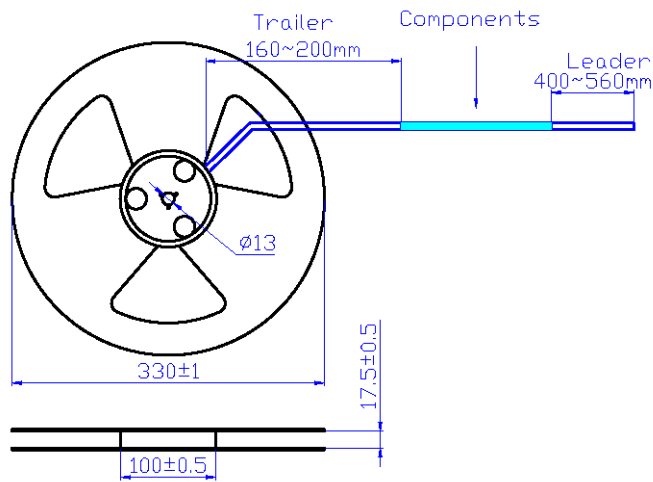
All specifications are subject to change without notice

Tape & Reel Dimensions (Unit:mm)

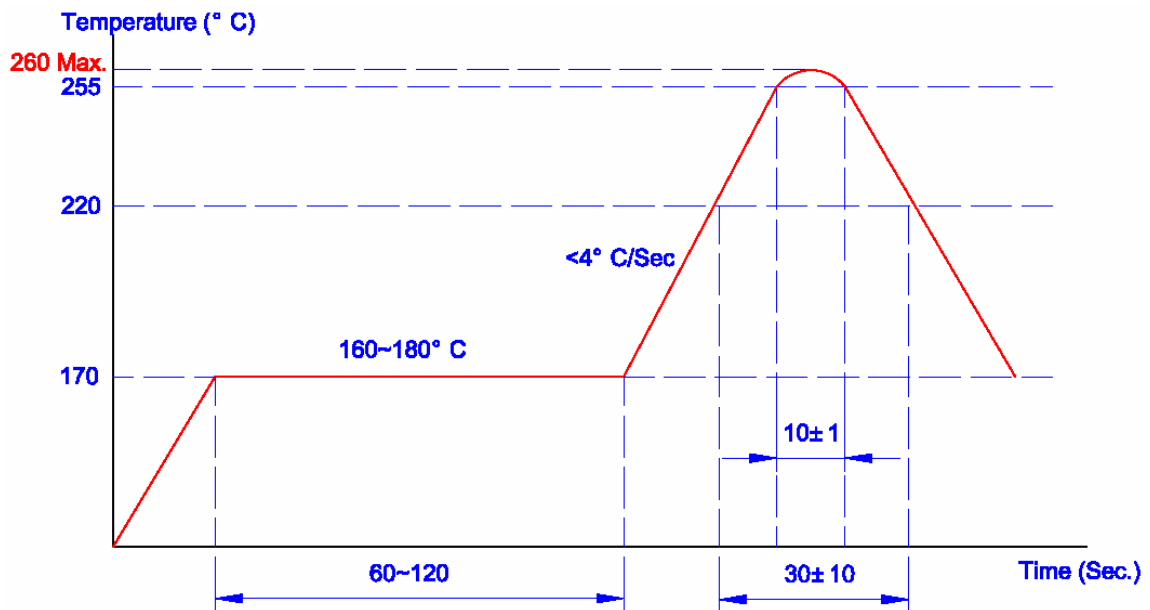


NOTE:

1. 10 sprocket hole pitch cumulative tolerance +/-0.20mm.
2. Carrier camber not to exceed 1 mm in 100 mm.
3. All dimensions meet EIA-481-2-A requirements.
4. Thickness: 0.40+/-0.05 mm.
5. Component loaded per 13" reel: 750 pcs.



Recommend Reflowing Profile



All specifications are subject to change without notice