

Description

CSEB10A03-2.7F:

Chinasound SMD Electro-magnetic Buzzer 9.6mm (<10mm) diameter, type A(=5mm height), 3VDC rated voltage - 2.7KHz resonant frequency, lead Free solderable and RoHS compliant

◆ RoHS compliant

◆ Small size

◆ Flame Retardant Plastic

◆ Lead Free Reflowing Solderable

Picture



Characteristics



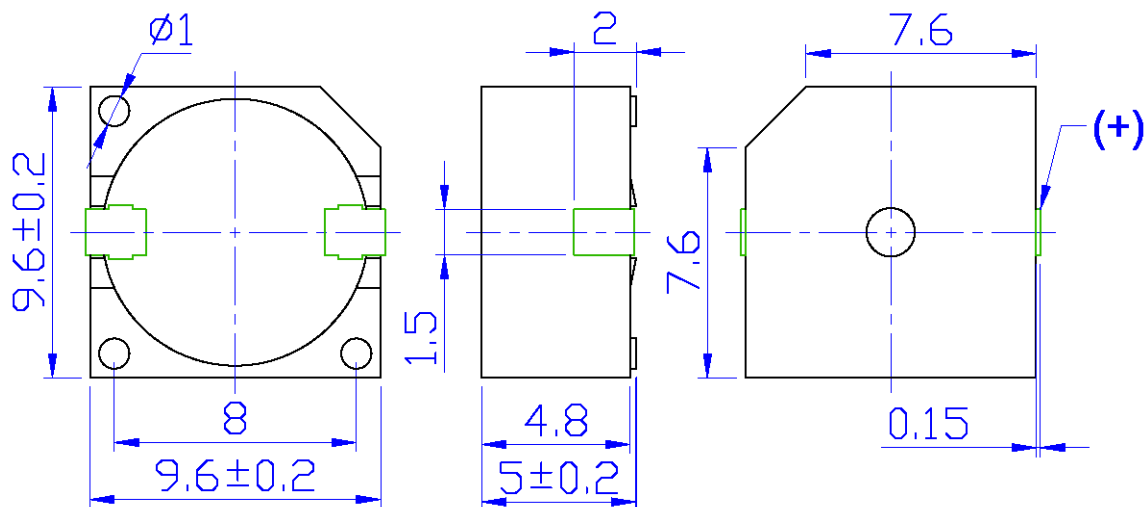
Specification

Rated Voltage	3 VDC
Operating Voltage	2 ~ 5 VDC
Rated Current	30 mA max. at 3 VDC
Sound Output	85dB min. at 3 VDC, 10cm
Operating Frequency	2700+/-300Hz
Operating Temperature	-30 °C to +85 °C
Storage Temperature	-40 °C to +90 °C
Termination	2 soldering pads, Sn plated Brass
Construction Materials	Maximum of 9.8N load pull test, applied to each terminal in axial direction for 10 seconds
Weight (Typical)	Plastic, PPS A7-03A
Reliability	Ni Alloy Disc N50
	1.0 g
	At 3 VDC in room temperature continuously for 1000 hours
	no function at +90+/-2 °C for 96 hours, function at +85+/-2 °C for 96 hours,
	no function at -40+/-2 °C for 96 hours, function at -30+/-2 °C for 96 hours,
	25+/-2 °C, 90-95%RH, 5hr→up to 55+/-2 °C, 90-95%RH, 0.5hr →55+/-2 °C, 90-95%RH,
	5hr→down to 25+/-2 °C, 90-95%RH, 0.5hr, 10 cycles
	-40+/-2 °C, 30min→+20 °C,15min,→+85+/-2 °C, 30min→+20 °C,15min, 5 cycles
	1.5mm with 10 to 50Hz of vibration frequency to each of 3 perpendicular direction for 2 hrs
	98m/s ² (=10g) shock for each mutually perpendicular directions, half sine wave, 3 times each
	Dropped naturally from 750mm height onto the surface of 10mm wooden board. 2 directions – upper and side of the part are applied
	Samples put through reflowing soldering oven 2 twice
	Samples put on PCB with solder paste through reflowing soldering oven 1 times
	For a period of one (1) year from date of manufacture under normal operations

Warranty

* All specifications must be satisfied after the test (Recovery:2 to 4 hrs of recovery under the standard condition after the removal from test chamber).
 **90% min. soldering pads shall be with solder.(except the edge of pad)

Dimensions (Unit: mm)



All specifications are subject to change without notice

