

Description

CSET14A03-18-3.2F:

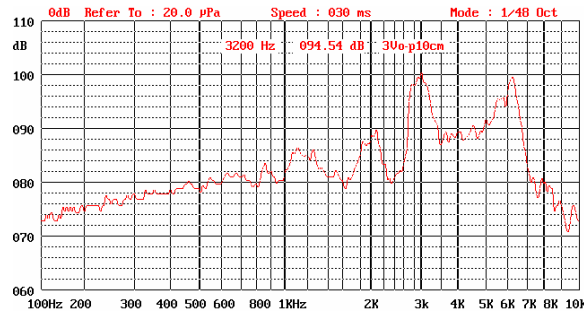
Chinasound SMD Electro-magnetic Transducer 14mm length, type A(=11mm width, 3.0mm height, 2.2x4.2mm sound hole), 3Vo-p rated voltage - 18ohm coil resistance – 3.2KHz resonant frequency, Lead Free reflowing solderable, RoHS compliant

- ◆ RoHS complaint
- ◆ Small size
- ◆ Reflowing Solderable
- ◆ Flame Retardant Plastic
- ◆ Tape and reel packaging for auto mounting

Picture



Frequency Response Curve



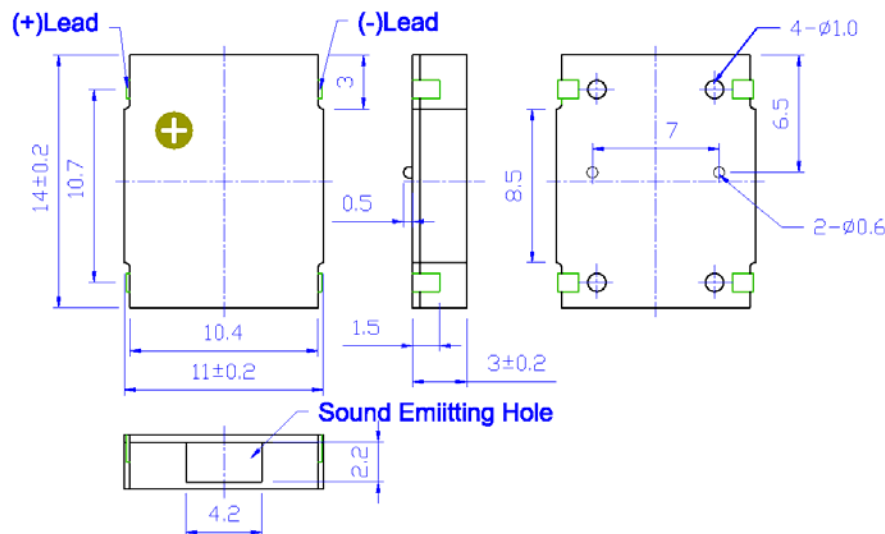
Specification

Rated Voltage	3 Vo-p square wave, 1/2 duty square wave
Operating Voltage	2~4 Vo-p square wave, 1/2 duty square wave
Rated Current	80 mA max. at 3 Vo-p square wave, 1/2 duty square wave, 3200Hz
Coil Resistance	18+/-3 ohm
Sound Output	87dB min. (Typ. 90 dB) at 3 Vo-p square wave, 1/2 duty square wave, 10cm, 3200Hz
Operating Frequency	3200+/-500Hz
Operating Temperature	-30 °C to +85 °C
Storage Temperature	-40 °C to +90 °C
Termination	4 soldering pads, Sn plated Brass
Construction Materials	Case Plastic, LCP Vectra E130i Diaphragm Ni Alloy Disc N50
Weight (Typical)	1.0 g
Reliability	*Life Test At 3 Vo-p in room temperature continuously for 1000 hours *High Temperature no function at +90+/-2 °C for 96 hours, function at +85+/-2 °C for 96 hours, *Low Temperature no function at -40+/-2 °C for 96 hours, function at -30+/-2 °C for 96 hours, *Humidity 25+/-2 °C, 90-95%RH, 5hr→up to 55+/-2 °C, 90-95%RH, 0.5hr →55+/-2 °C, 90-95%RH, 5hr→down to 25+/-2 °C, 90-95%RH, 0.5hr, 10 cycles *Thermal Shock -40+/-2 °C, 30min→+20 °C, 15min, →+85+/-2 °C, 30min→+20 °C, 15min, 5 cycles *Vibration 1.5mm with 10 to 50Hz of vibration frequency to each of 3 perpendicular direction for 2 hrs *Shock 98m/s ² (=10g) shock for each mutually perpendicular directions, half sine wave, 3 times each *Drop Test Dropped naturally from 750mm height onto the surface of 10mm wooden board. 2 directions – upper and side of the part are applied *Soldering Heat Resistance Samples put through reflowing soldering oven 2 times **Solderability Samples put through reflowing soldering oven 1 times

Warranty

* All specifications must be satisfied after the test (Recovery:2 to 4 hrs of recovery under the standard condition after the removal from test chamber).
**90% min. soldering pads shall be with solder.(except the edge of pad)

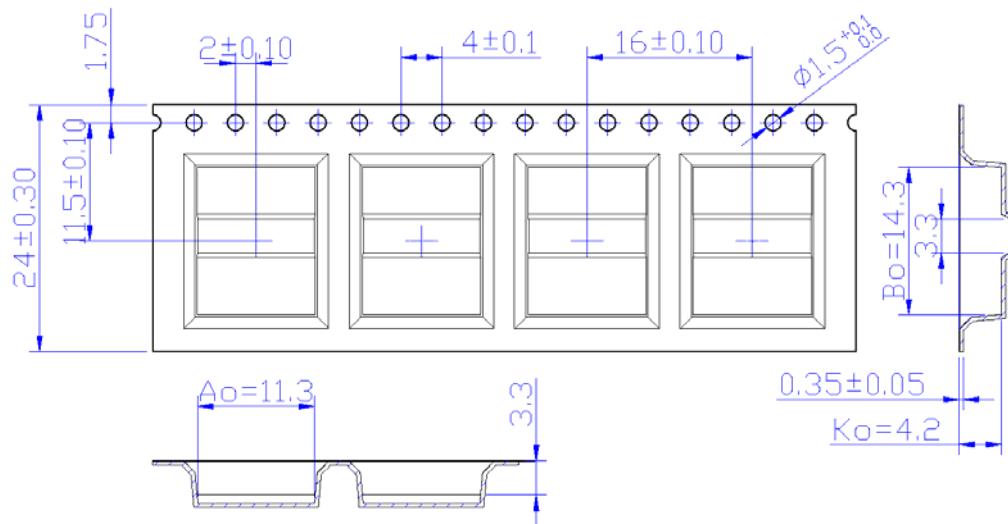
Dimensions (Unit: mm)



All specifications are subject to change without notice

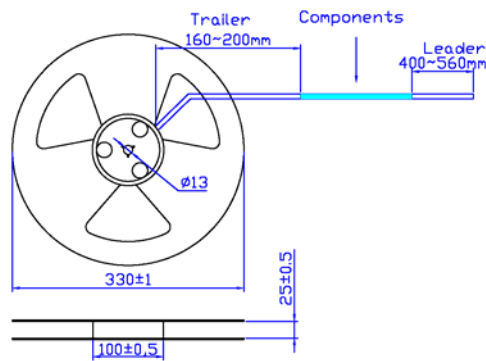


Tape & Reel Dimensions (Unit:mm)

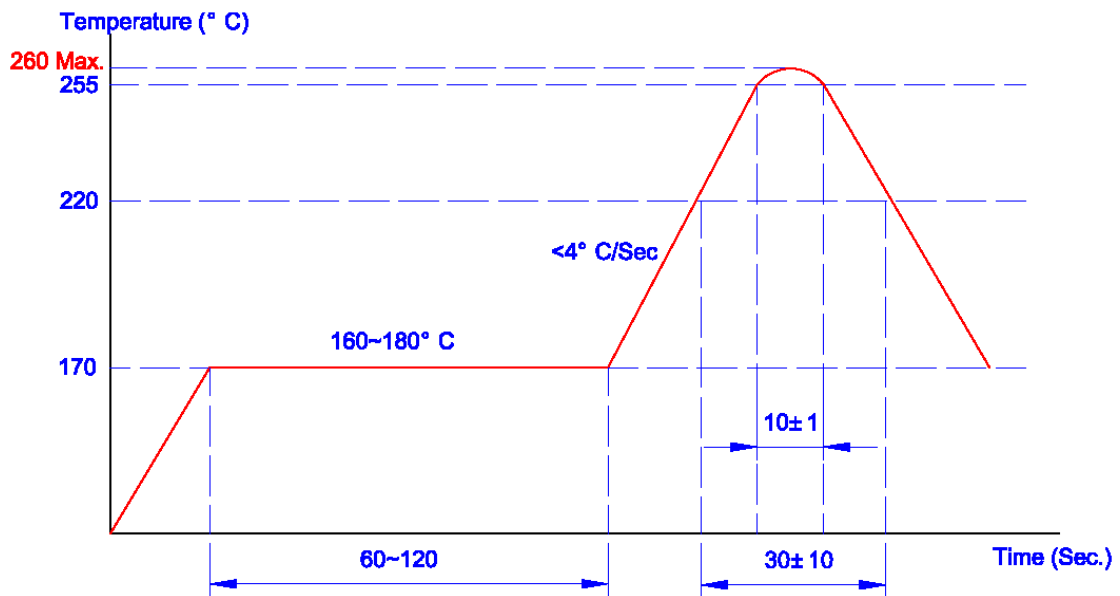


NOTE:

1. 10 sprocket holes pitch cumulative tolerance +/-0.20mm.
2. Carrier camber not to exceed 1 mm in 100 mm.
3. Ao & Bo measured on a place 0.3mm above the bottom of the pocket
4. Ko measured from a plane on the inside bottom of pocket to the top surface of the carrier.
5. All dimensions meet EIA-481-2-A requirements.
6. Material: Black Conductive Polystyrene Alloy.
7. Component loaded per 13" reel: 1000pcs.



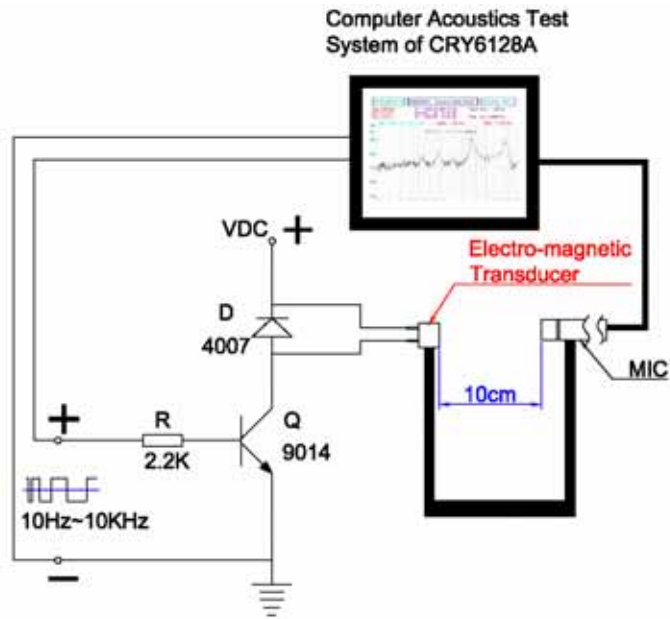
Recommend Reflowing Profile



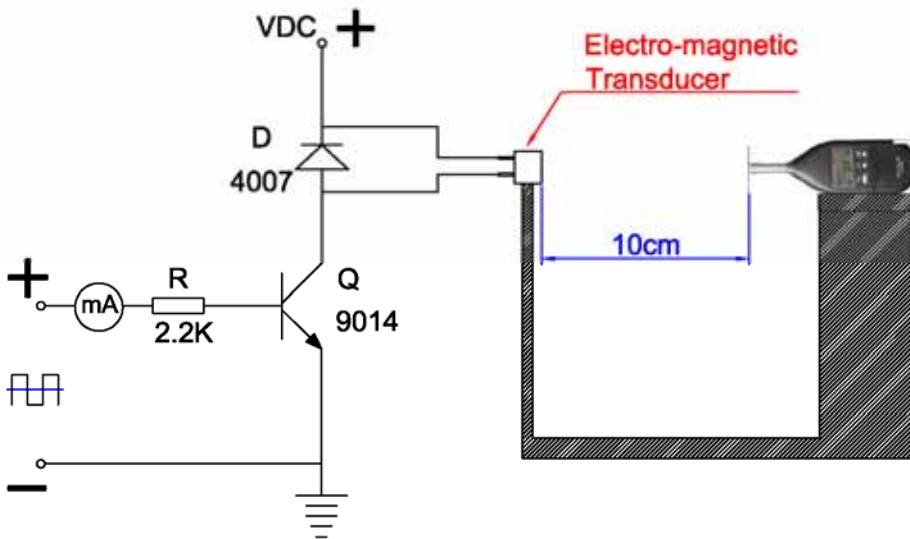
All specifications are subject to change without notice

Test Methods

SPL1: Tested by Computer Acoustics Test System of CRY6128A



SPL2: Tested by Sound level meter B&K2240



All specifications are subject to change without notice