

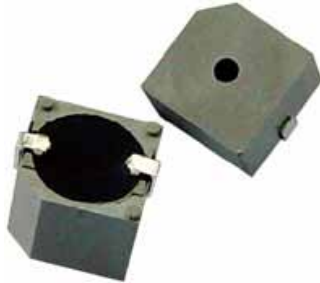
**Description**

**CSET12-140-2.4F:**

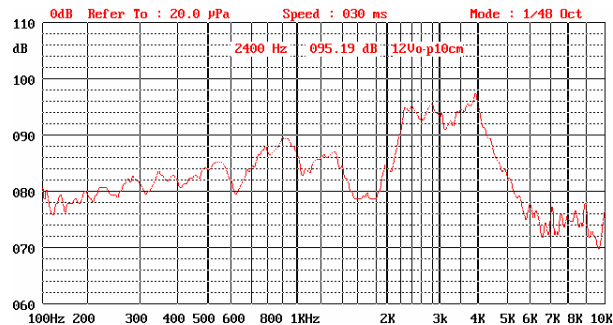
Chinasound SMD Electro-magnetic Transducer 12.8(<13mm) length & width, type A(=10mm height), 12Vo-p rated voltage – 140ohm coil resistance – 2.4KHz resonant frequency, Lead Free reflowing solderable, RoHS compliant

- ◆ RoHS compliant
- ◆ Small size
- ◆ Reflowing Solderable
- ◆ Flame Retardant Plastic
- ◆ Tape and reel packaging for auto mounting

**Picture**



**Frequency Response Curve**



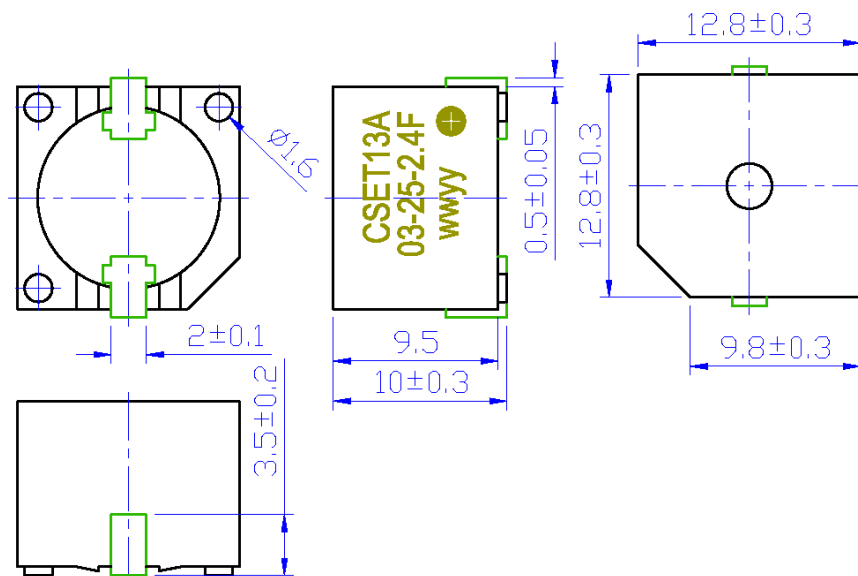
**Specification**

Rated Voltage	12 Vo-p square wave, 1/2 duty square wave
Operating Voltage	8~16 Vo-p square wave, 1/2 duty square wave
Rated Current	40 mA max. at 12 Vo-p square wave, 1/2 duty square wave, 2400Hz
Coil Resistance	140+/-14 ohm
Sound Output	90dB min. ( Typ. 93 dB ) at 12 Vo-p square wave, 1/2 duty square wave, 10cm, 2400Hz
Operating Frequency	2400+/-500Hz
Operating Temperature	-30 °C to +85 °C
Storage Temperature	-40 °C to +90 °C
Termination	4 soldering pads, Sn plated Brass
Construction Materials	Case Plastic, LCP Vectra E130i Diaphragm Ni Alloy Disc N50
Weight (Typical)	2.8 g
Reliability	*Life Test At 12 Vo-p in room temperature continuously for 1000 hours *High Temperature no function at +90+/-2 °C for 96 hours, function at +85+/-2 °C for 96 hours, *Low Temperature no function at -40+/-2 °C for 96 hours, function at -30+/-2 °C for 96 hours, *Humidity 25+/-2 °C, 90-95%RH, 5hr→up to 55+/-2 °C, 90-95%RH, 0.5hr →55+/-2 °C, 90-95%RH, 5hr→down to 25+/-2 °C, 90-95%RH, 0.5hr, 10 cycles *Thermal Shock -40+/-2 °C, 30min→+20 °C,15min,→+85+/-2 °C, 30min→+20 °C,15min, 5 cycles *Vibration 1.5mm with 10 to 50Hz of vibration frequency to each of 3 perpendicular direction for 2 hrs *Shock 98m/s <sup>2</sup> (=10g) shock for each mutually perpendicular directions, half sine wave, 3 times each *Drop Test Dropped naturally from 750mm height onto the surface of 10mm wooden board. 2 directions – upper and side of the part are applied *Soldering Heat Resistance Samples put through reflowing soldering oven 2 twice **Solderability Samples put on PCB with solder paste through reflowing soldering oven 1 times

**Warranty**

\* All specifications must be satisfied after the test (Recovery:2 to 4 hrs of recovery under the standard condition after the removal from test chamber).  
\*\*90% min. soldering pads shall be with solder.(except the edge of pad)

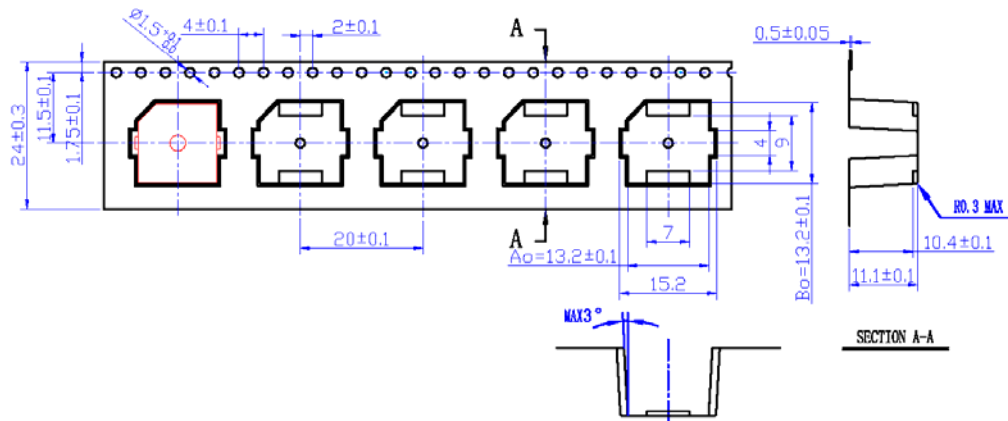
**Dimensions ( Unit: mm )**



All specifications are subject to change without notice

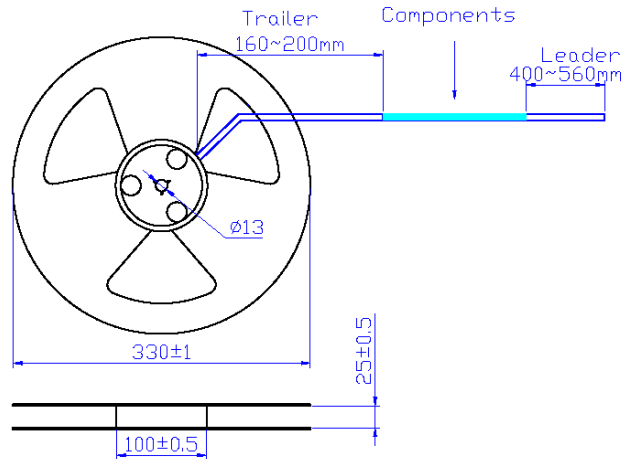


Tape & Reel Dimensions (Unit:mm)

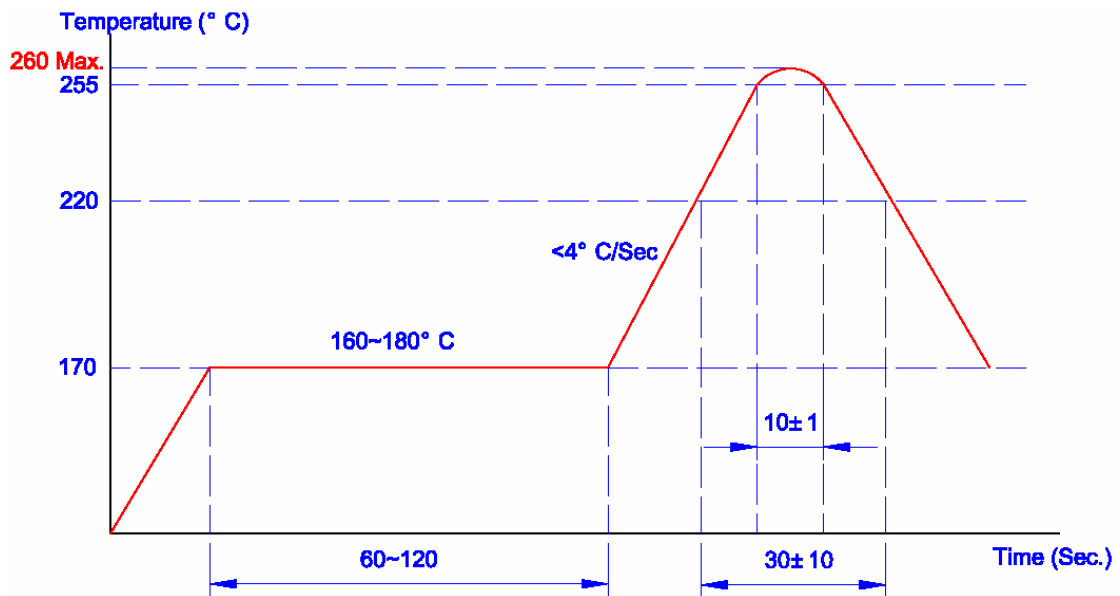


NOTE:

1. 10 sprocket hole pitch cumulative tolerance+/-0.20mm.
2. Carrier camber is 1 mm in 100 mm.
3. A0 and B0 measured on a plane on a place 0.30mm above the bottom of the pocket.
4. K0 measured from a plane on the inside bottom of the pocket to the top surface of the carrier.
5. All dimensions meet EIA-481-2-A requirements.
6. Component load per 13" Reel: 300 pcs.



Recommend Reflowing Profile



All specifications are subject to change without notice