

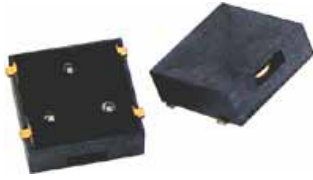
**Description**

**CSET10B3.6-18-2.83F:**

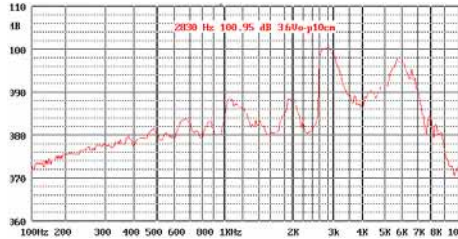
Chinasound SMD Electro-magnetic Transducer 10mm diameter, type B(=3.5mm height), 3.6Vo-p rated voltage - 18ohm coil resistance - 2.83KHz resonant frequency, Lead Free reflowing solderable, RoHS compliance

- ◆ Small size
- ◆ Reflowing Solderable
- ◆ Flame Retardant Plastic
- ◆ Tape and reel packaging for auto mounting

**Picture**



**Characteristics**



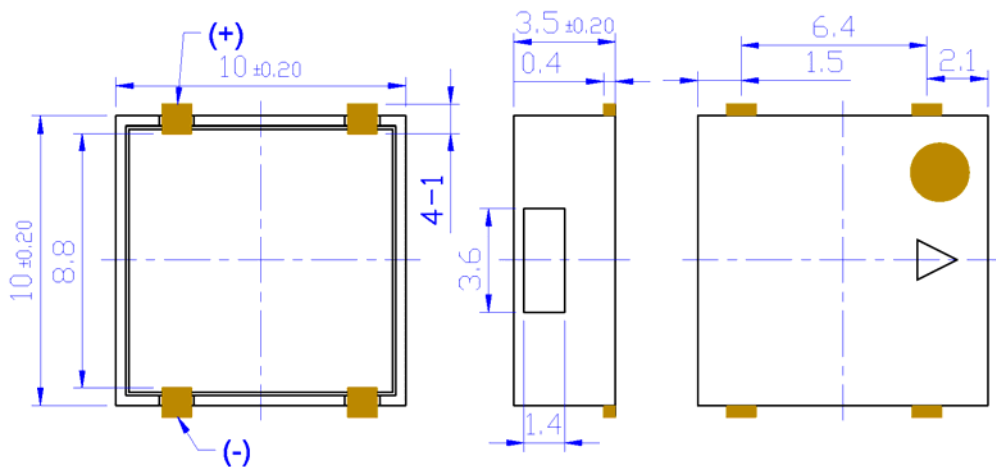
**Specification**

Rated Voltage		3.6 Vo-p square wave, 1/2 duty square wave
Operating Voltage		2~4 Vo-p square wave, 1/2 duty square wave
Rated Current		80 mA max. at 3.6 Vo-p square wave, 1/2 duty square wave
Coil Resistance		18 ± 3 ohm
Sound Output		93dB min. (Typ. 98 dB) at 3.6 Vo-p square wave, 1/2 duty square wave, 10cm, 2830Hz
Operating Frequency		2830 ± 500Hz
Operating Temperature		-30°C to +85°C
Storage Temperature		-40°C to +90°C
Termination	Description	4 soldering pads, Gold plated Brass
Construction Materials	Case	Plastic, LCP Vectra E130i
	Diaphragm	Ni Alloy Disc N50
Weight (Typical)		0.6g
Reliability	*Life Test	At 3.6 Vo-p in room temperature continuously for 1000 hours
	*High Temperature	no function at +90°C ± 2 for 96 hours, function at +85°C ± 2 for 96 hours,
	*Low Temperature	no function at -40°C ± 2 for 96 hours, function at -30°C ± 2 for 96 hours,
	*Humidity	25°C+/-2°C, 90-95%RH, 5hr→up to 55°C+/-2°C, 90-95%RH, 0.5hr→55°C+/-2°C, 90-95%RH, 5hr→down to 25°C+/-2°C, 90-95%RH, 0.5hr, 10 cycles
	*Thermal Shock	-40°C+/-2°C, 30min→+20°C, 15min,→+85°C+/-2°C, 30min→+20°C, 15min, 5 cycles
	*Vibration	1.5mm with 10 to 50Hz of vibration frequency to each of 3 perpendicular direction for 2 hrs
	*Shock	98m/s <sup>2</sup> (=10g) shock for each mutually perpendicular directions, half sine wave, 3 times each
	*Drop Test	Dropped naturally from 750mm height onto the surface of 10mm wooden board. 2 directions – upper and side of the part are applied
	**Termination Strength	Maximum of 9.8N (1kgs) for 10 seconds load pull test
	***Soldering Heat Resistance	Samples put through reflowing soldering oven 2 times
	****Solderability	Samples put through reflowing soldering oven 1 times

**Warranty**

For a period of one (1) year from date of manufacture under normal operations  
 \* Being placed for 4hours at +25°C, part shall be measured. The value of frequency and current consumption shall be in ±10% compared with initial value. The capacitance should be in ±20% compared with initial value. The SPL shall be in ±10dB compared with initial value.  
 \*\* No damage and cut off    \*\*\*No interference in operation    \*\*\*\*90% min. soldering pads shall be with solder.(except the edge of pad)

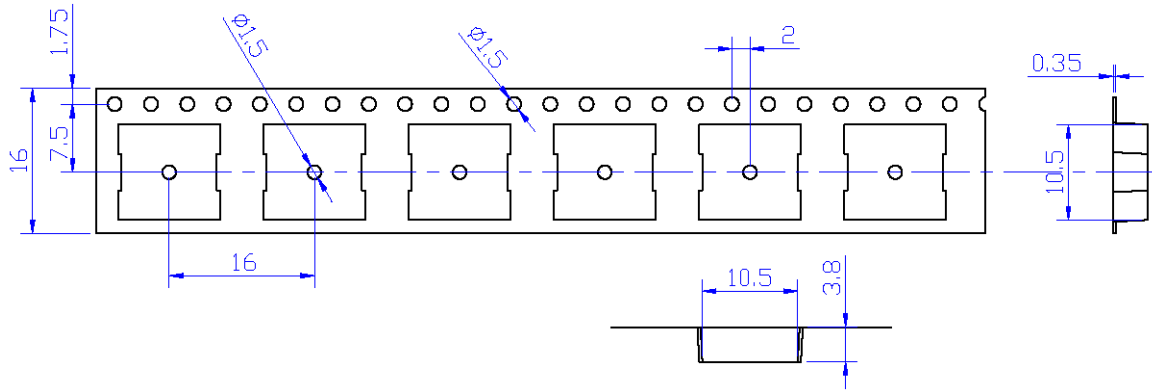
**Dimensions ( Unit: mm )**



All specifications are subject to change without notice

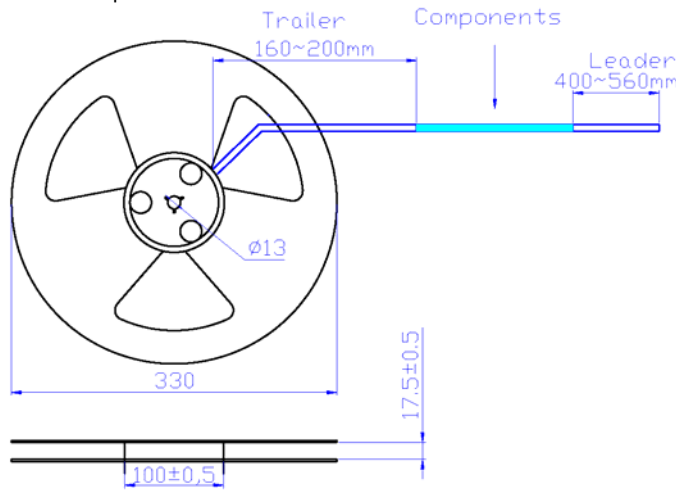


**Tape & Reel Dimensions (Unit:mm)**

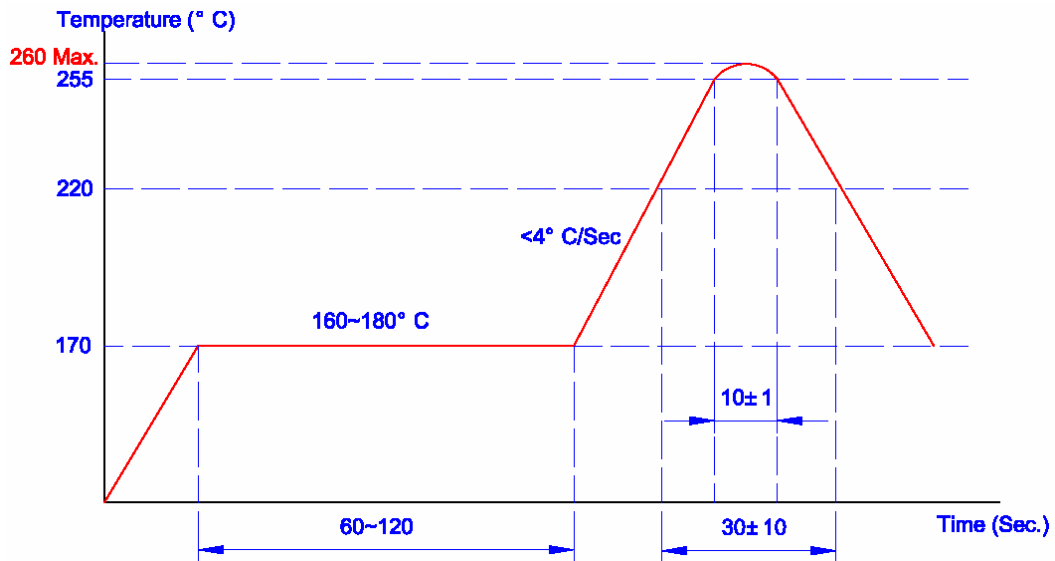


**NOTE:**

1. 10 sprocket hole pitch cumulative tolerance  $\pm 0.20\text{mm}$ .
2. Carrier camber is 1 mm in 100 mm.
3. A0 and B0 measured on a plane on a plane 0.30mm above the bottom of the pocket.
4. K0 measured from a plane on the inside bottom of the pocket to the top surface of the carrier.
5. All dimensions meet EIA-481-2-A requirements.
6. Component load per 13" Reel: 1000 pcs.

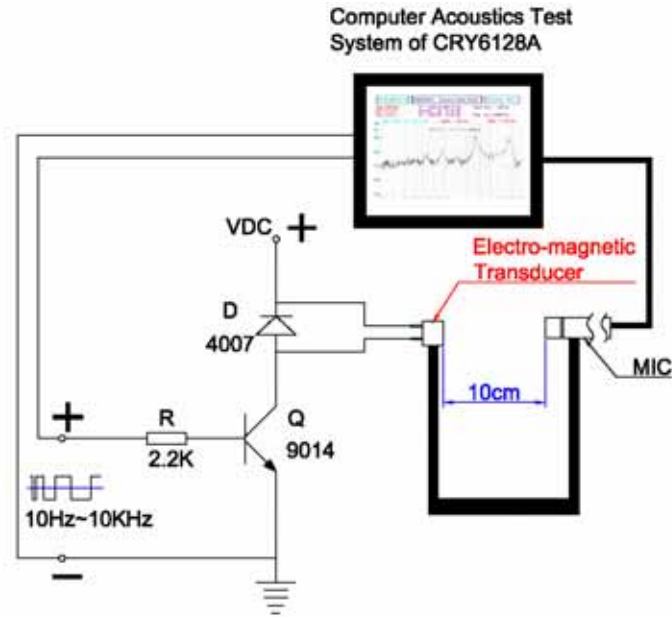


**Recommend Reflowing Profile**

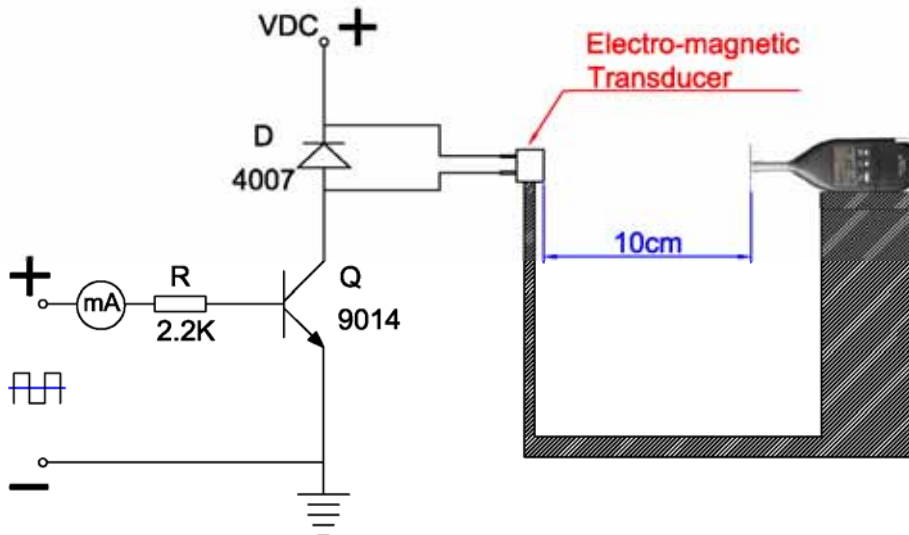


Test Methods

SPL1: Tested by Computer Acoustics Test System of CRY6128A



SPL2: Tested by Sound Level Meter B&K 2240



All specifications are subject to change without notice