

**Description**

**CSET09A05-30-2.7F:**

Chinasound SMD Electro-magnetic Transducer 9mm diameter, type A(=4.0mm height), 5Vo-p rated voltage - 30ohm coil resistance - 2.731KHz resonant frequency, Lead Free reflowing solderable, RoHS compliant

◆ RoHS compliant

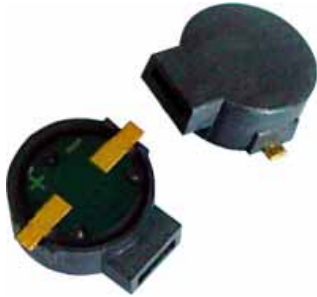
◆ Small size

◆ Reflowing Solderable

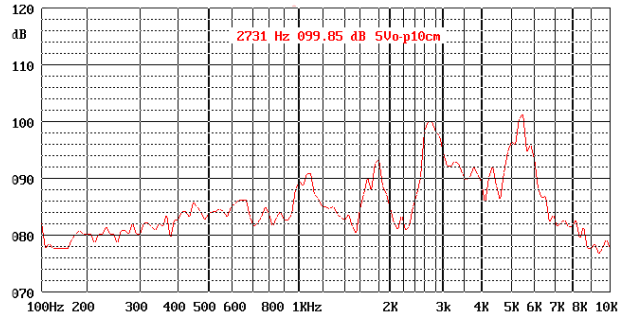
◆ Flame Retardant Plastic

◆ Tape and reel packaging for auto mounting

**Picture**



**Frequency Response Curve**



**Specification**

**Rated Voltage**

5 Vo-p square wave, 1/2 duty square wave

**Operating Voltage**

4-7 Vo-p square wave, 1/2 duty square wave

**Rated Current**

100 mA max. at 5 Vo-p square wave, 1/2 duty square wave, 2731Hz

**Coil Resistance**

30+/-4 ohm

**Sound Output**

90dB min. ( Typ. 98 dB ) at 5 Vo-p square wave, 1/2 duty square wave, 10cm, 2731Hz

**Operating Frequency**

2731+/-500Hz

**Operating Temperature**

-30 °C to +85 °C

**Storage Temperature**

-40 °C to +90 °C

**Termination**

**Description**

2 soldering pads, PCB plated Gold

**Construction Materials**

**Case**

Plastic, LCP Vectra E130i

**Diaphragm**

Ni Alloy Disc N50

**Weight (Typical)**

0.6 g

**Reliability**

\*Life Test

At 5 Vo-p in room temperature continuously for 1000 hours

\*High Temperature

no function at +90+/-2 °C for 96 hours, function at +85+/-2 °C for 96 hours,

\*Low Temperature

no function at -40+/-2 °C for 96 hours, function at -30+/-2 °C for 96 hours,

\*Humidity

25+/-2 °C, 90-95%RH, 5hr → up to 55+/-2 °C, 90-95%RH, 0.5hr → 55+/-2 °C, 90-95%RH, 5hr → down to 25 +/-2 °C, 90-95%RH, 0.5hr, 10 cycles

\*Thermal Shock

-40+/-2 °C, 30min → +20 °C, 15min, → +85+/-2 °C, 30min → +20 °C, 15min, 5 cycles

\*Vibration

1.5mm with 10 to 50Hz of vibration frequency to each of 3 perpendicular direction for 2 hrs

\*Shock

98m/s<sup>2</sup> (=10g) shock for each mutually perpendicular directions, half sine wave, 3 times each

\*Drop Test

Dropped naturally from 750mm height onto the surface of 10mm wooden board. 2 directions - upper and side of the part are applied

\*Soldering Heat Resistance

Samples put through reflowing soldering oven 2 times

\*\*Solderability

Samples put on PCB with solder paste through reflowing soldering oven 1 times

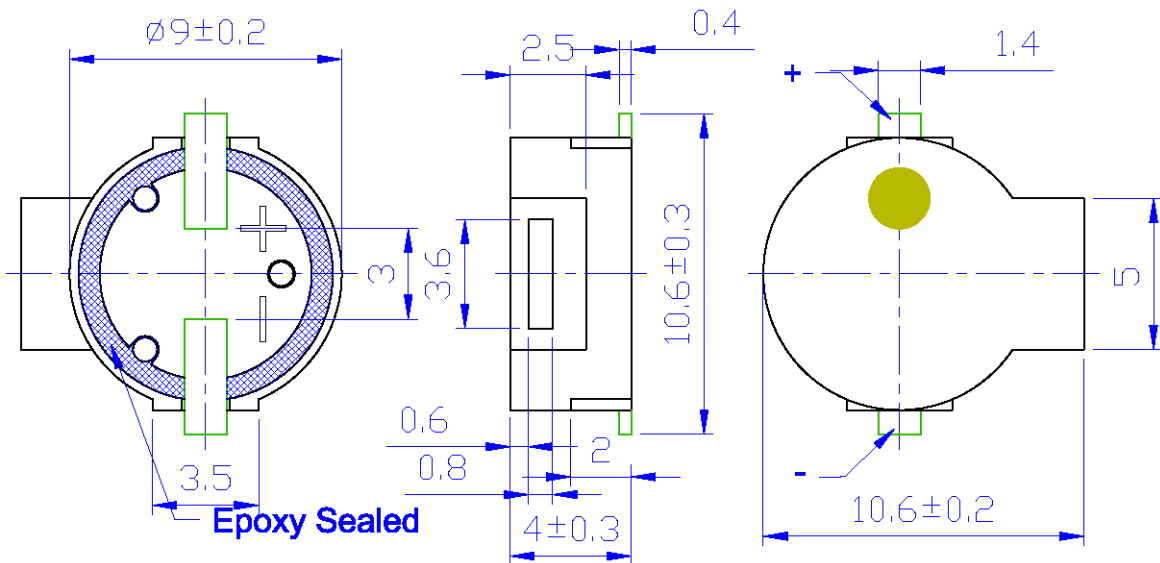
**Warranty**

For a period of one (1) year from date of manufacture under normal operations

\* All specifications must be satisfied after the test (Recovery: 2 to 4 hrs of recovery under the standard condition after the removal from test chamber).

\*\*90% min. soldering pads shall be with solder.(except the edge of pad)

**Dimensions ( Unit: mm )**



All specifications are subject to change without notice



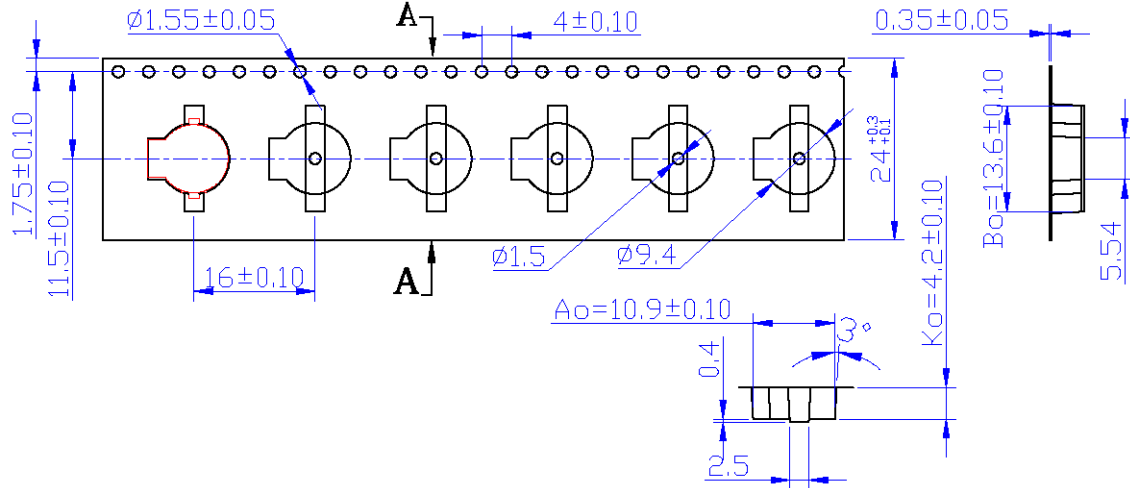
**CHANGZHOU CHINASOUND ELECTRONICS CO., LTD.**

Tel: +86-519-6182518, 6182517, 6182516 Fax: +86-519-6182519

http://www.chinasound.com

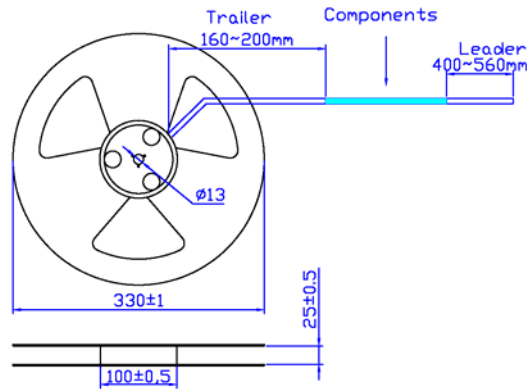
email: csound@jmail.com.cn

Tape & Reel Dimensions (Unit:mm)

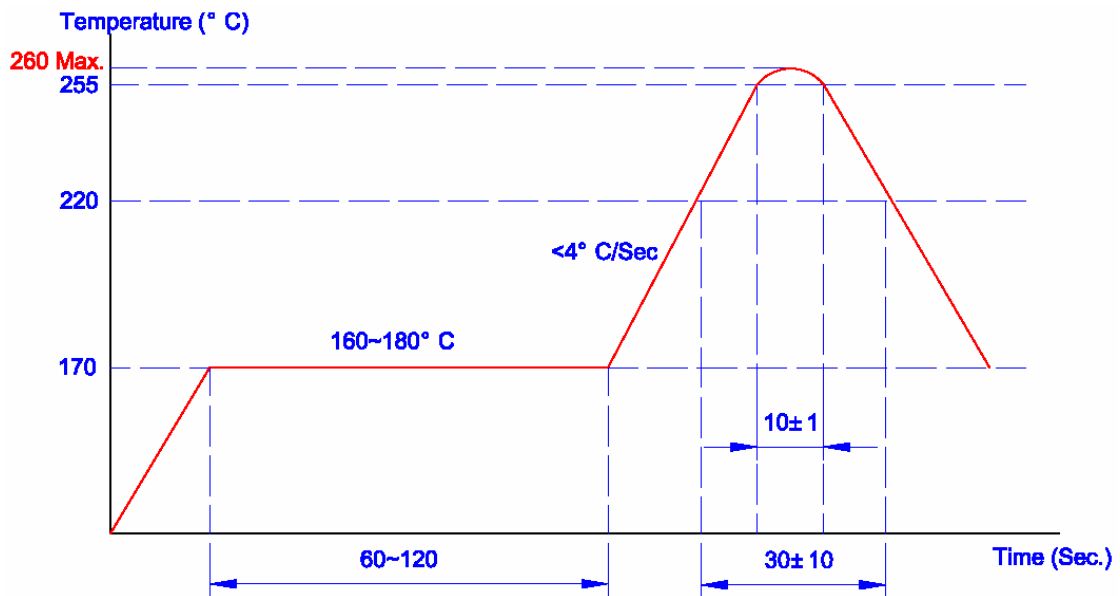


NOTE:

1. 10 sprocket hole pitch cumulative tolerance  $\pm 0.20$  mm.
2. Carrier camber is 1 mm in 100 mm.
3.  $A_0$  and  $B_0$  measured on a plane on a place 0.30 mm above the bottom of the pocket.
4.  $K_0$  measured from a plane on the inside bottom of the pocket to the top surface of the carrier.
5. All dimensions meet EIA-481-2-A requirements.
6. Component load per 13" Reel: 900 pcs.



Recommend Reflowing Profile



All specifications are subject to change without notice