

Description

CSET8.5H3.6-16-2.7F:

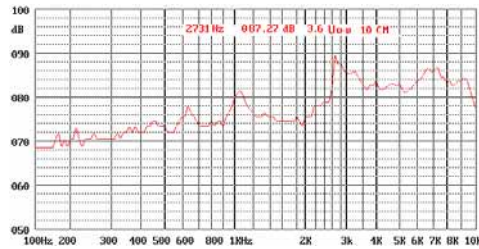
Chinasound SMD Electro-magnetic Transducer 8.5mm length, type H(=8.5mm width, 3.0mm height, 3x15mm sound hole), 3.6Vo-p rated voltage - 16ohm coil resistance – 2.71KHz resonant frequency, Lead Free reflowing solderable, RoHS compliant

- ◆ RoHS complaint
- ◆ Small size
- ◆ Reflowing Solderable
- ◆ Flame Retardant Plastic
- ◆ Tape and reel packaging for auto mounting

Picture



Frequency Response Curve



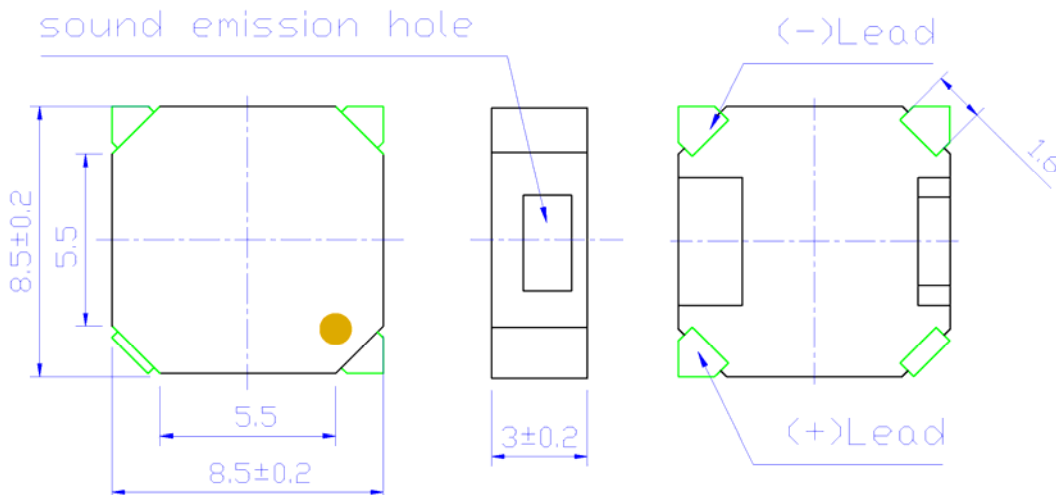
Specification

Rated Voltage		3.6 Vo-p square wave, 1/2 duty square wave
Operating Voltage		2~4.5 Vo-p square wave, 1/2 duty square wave
Rated Current		Average 100 mA max. at 3.6 Vo-p square wave, 1/2 duty square wave
Coil Resistance		16+/-3 ohm
Sound Output		85dB min. at 3.6 Vo-p square wave, 1/2 duty square wave, 10cm, 2731Hz
Operating Frequency		2731+/-500Hz
Operating Temperature		-30°C to +85°C
Storage Temperature		-40°C to +90°C
Termination	Description	4 soldering pads, Sn plated Brass
	Termination Strength	Maximum of 9.8N (1kgs) for 10 seconds load pull test
Construction Materials	Case	Plastic, LCP Vectra E130i
	Diaphragm	Ni Alloy Disc N50 or equal
Weight (Typical)		0.6g
Reliability	*Life Test	At 3.6 Vo-p in room temperature continuously for 1000 hours
	*High Temperature	no function at +90+/-2°C for 96 hours, function at +85+/-2°C for 96 hours,
	*Low Temperature	no function at -40+/-2°C for 96 hours, function at -30+/-2°C for 96 hours,
	*Humidity	25+/-2°C, 90-95%RH, 5hr→up to 55+/-2°C, 90-95%RH, 0.5hr →55+/-2°C, 90-95%RH, 5hr→down to 25+/-2°C, 90-95%RH, 0.5hr, 10 cycles
	*Thermal Shock	-40+/-2°C, 30min→+20°C,15min,→+85+/-2°C, 30min→+20°C,15min, 5 cycles
	*Vibration	no function at +90+/-2°C for 96 hours, function at +85+/-2°C for 96 hours,
	*Shock	98m/s ² (=10g) shock for each mutually perpendicular directions, half sine wave, 3 times each
	*Drop Test	Dropped naturally from 750mm height onto the surface of 10mm wooden board. 2 directions – upper and side of the part are applied
	*Soldering Heat Resistance	Samples put through reflowing soldering oven 2 twice
	**Solderability	Samples put through reflowing soldering oven 1 times

Warranty

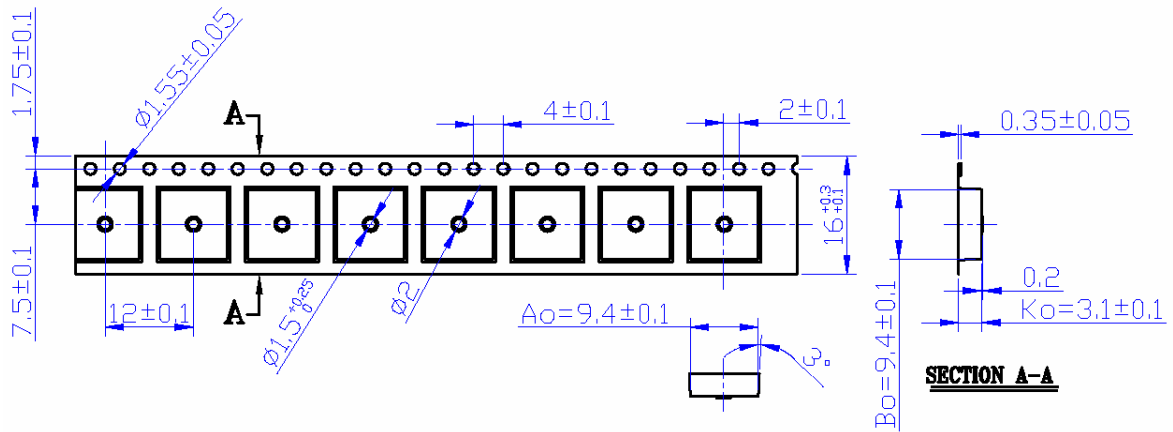
For a period of one (1) year from date of manufacture under normal operations
 * All specifications must be satisfied after the test (Recovery:2 to 4 hrs of recovery under the standard condition after the removal from test chamber).
 **90% min. soldering pads shall be with solder.(except the edge of pad)

Dimensions (Unit: mm)



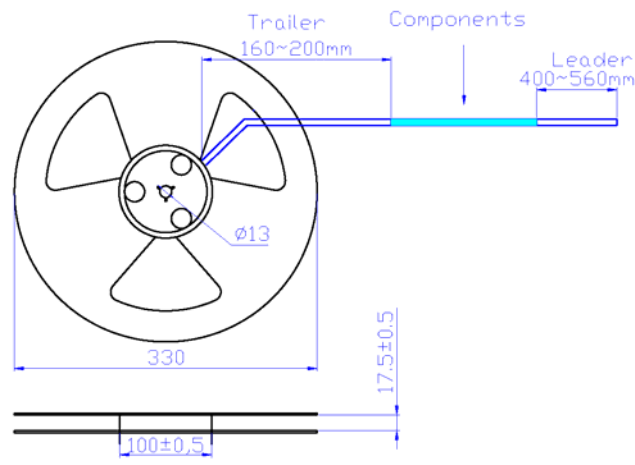
All specifications are subject to change without notice

Tape & Reel Dimensions (Unit:mm)

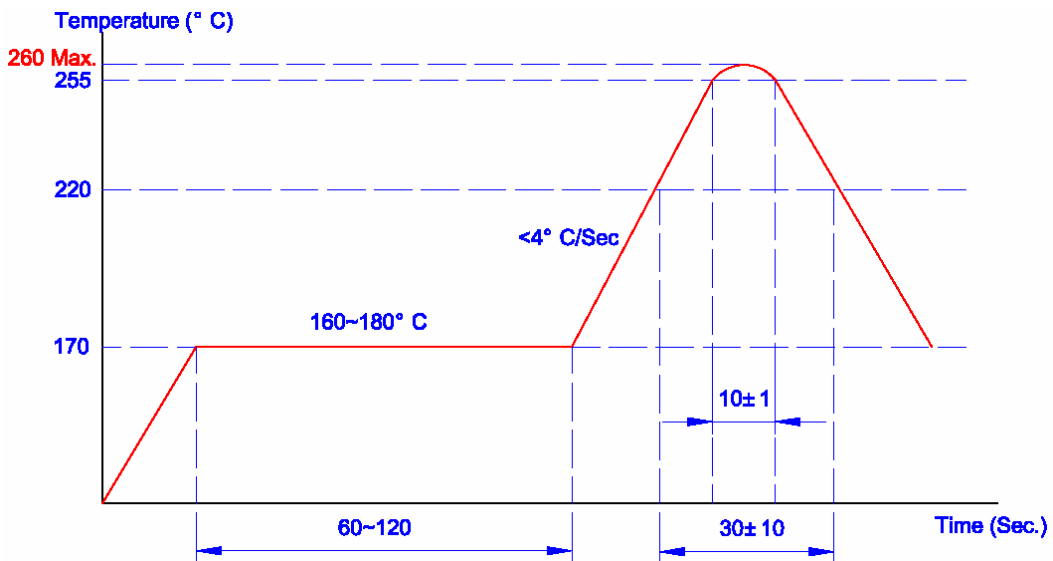


NOTE:

1. 10 sprocket hole pitch cumulative tolerance ± 0.20 mm.
2. Carrier camber is 1 mm in 100 mm.
3. A0 and B0 measured on a plane on a plane 0.30mm above the bottom of the pocket.
4. K0 measured from a plane on the inside bottom of the pocket to the top surface of the carrier.
5. All dimensions meet EIA-481-2-A requirements.
6. Component load per 13" Reel: 1500 pcs.



Recommend Reflowing Profile



All specifications are subject to change without notice