

Description

CSET8.5D03-15-2.7F:

Chinasound SMD Electro-magnetic Transducer 8.5mm length & Width, type D(=3.2mm height, top sound emission hole), 3Vo-p rated voltage - 15ohm coil resistance - 2.731kHz resonant frequency, lead Free solderable and RoHS compliant

◆ RoHS compliant

◆ Small size

◆ Reflowing Solderable

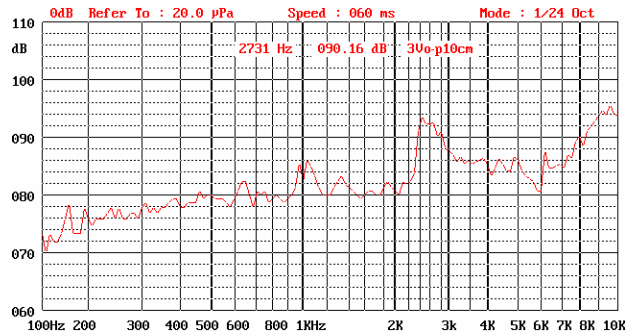
◆ Flame Retardant Plastic

◆ Tape and reel packaging for auto mounting

Picture



Frequency Response Curve



Specification

Rated Voltage

3 Vo-p square wave, 1/2 duty square wave

Operating Voltage

2-4 Vo-p square wave, 1/2 duty square wave

Rated Current

80 mA max. at 3 Vo-p square wave, 1/2 duty square wave, 2731Hz

Coil Resistance

15+/-3 ohm

Sound Output

85dB min. (Typ. 90 dB) at 3 Vo-p square wave, 1/2 duty square wave, 10cm, 2731Hz

Operating Frequency

2731+/-500Hz

Operating Temperature

-30°C to +85°C

Storage Temperature

-40°C to +90°C

Termination

Description

4 soldering pads, Sn plated Brass

Construction Materials

Case

Plastic, LCP Vectra E130i

Diaphragm

Ni Alloy Disc N50

Weight (Typical)

0.6 g

Reliability

***Life Test**

At 3 Vo-p in room temperature continuously for 1000 hours

***High Temperature**

no function at +90+/-2°C for 96 hours, function at +85+/-2°C for 96 hours,

***Low Temperature**

no function at -40+/-2°C for 96 hours, function at -30+/-2°C for 96 hours,

***Humidity**

25+/-2°C, 90-95%RH, 5hr→up to 55+/-2°C, 90-95%RH, 0.5hr →55+/-2°C, 90-95%RH, 5hr→down to 25+/-2°C, 90-95%RH, 0.5hr, 10 cycles

***Thermal Shock**

-40+/-2°C, 30min→+20°C,15min,→+85+/-2°C, 30min→+20°C,15min, 5 cycles

***Vibration**

1.5mm with 10 to 50Hz of vibration frequency to each of 3 perpendicular direction for 2 hrs

***Shock**

98m/s² (=10g) shock for each mutually perpendicular directions, half sine wave, 3 times each

***Drop Test**

Dropped naturally from 750mm height onto the surface of 10mm wooden board. 2 directions – upper and side of the part are applied

***Soldering Heat Resistance**

Samples put through reflowing soldering oven 2 times

****Solderability**

Samples put on PCB with solder paste through reflowing soldering oven 1 times

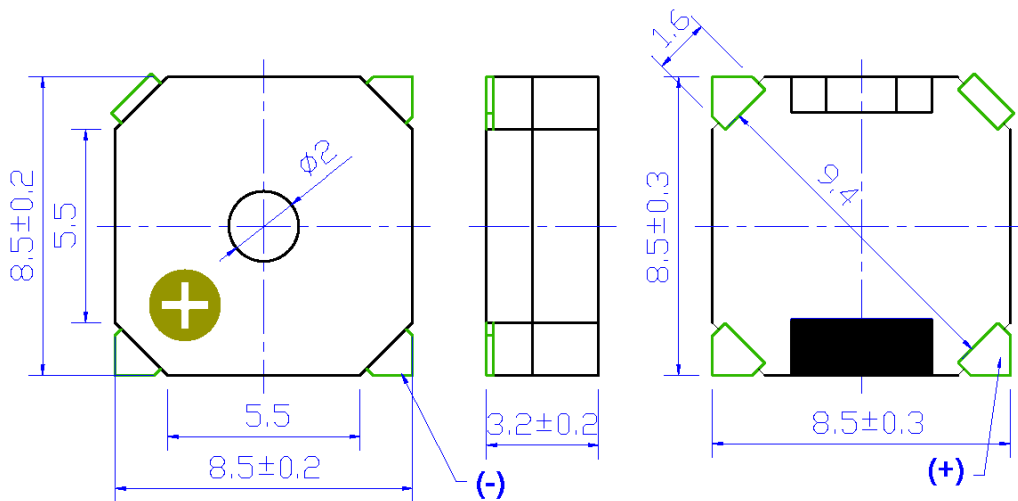
Warranty

For a period of one (1) year from date of manufacture under normal operations

* All specifications must be satisfied after the test (Recovery:2 to 4 hrs of recovery under the standard condition after the removal from test chamber).

**90% min. soldering pads shall be with solder.(except the edge of pad)

Dimensions (Unit: mm)



All specifications are subject to change without notice



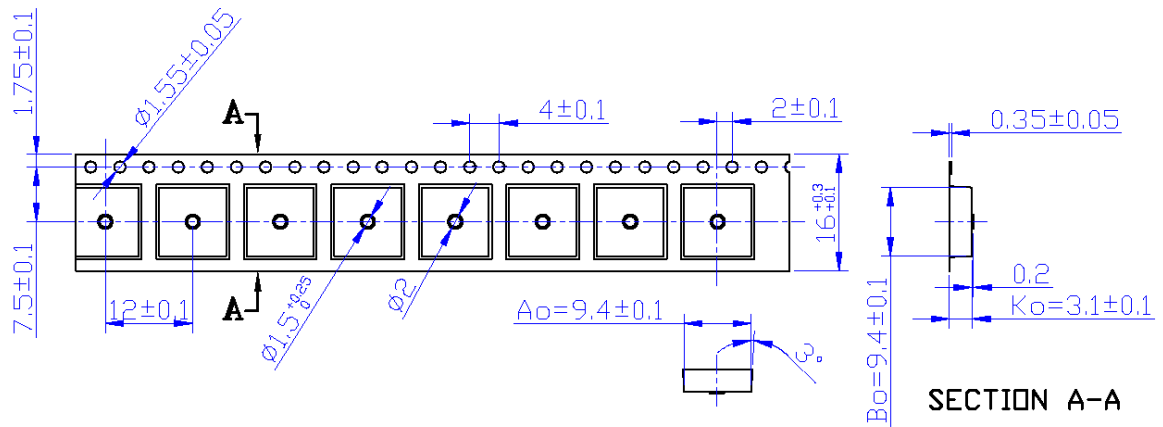
CHANGZHOU CHINASOUND ELECTRONICS CO., LTD.

Tel: +86-519-6182518, 6182517, 6182516 Fax: +86-519-6182519

http://www.chinasound.com

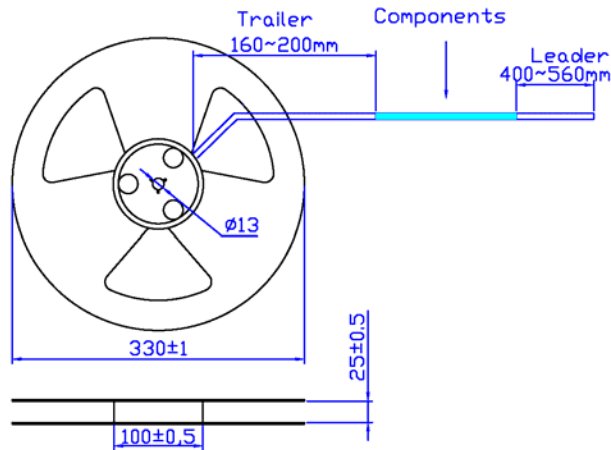
email: csound@jssmail.com.cn

Tape & Reel Dimensions (Unit:mm)

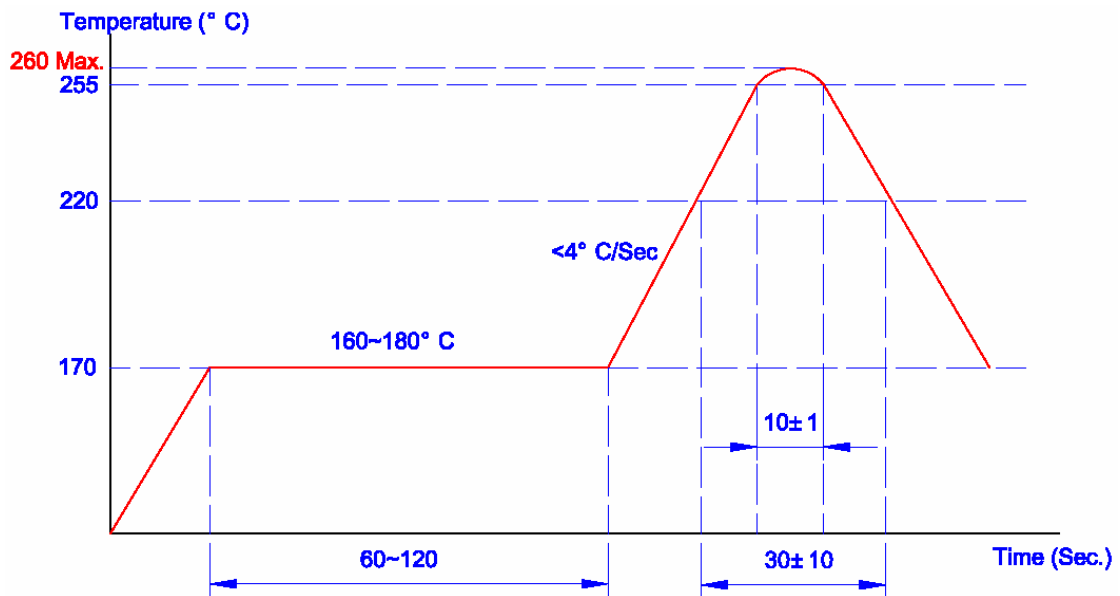


NOTE:

1. 10 sprocket hole pitch cumulative tolerance ± 0.20 mm.
2. Carrier camber is 1 mm in 100 mm.
3. A0 and B0 measured on a plane on a place 0.30 mm above the bottom of the pocket.
4. K0 measured from a plane on the inside bottom of the pocket to the top surface of the carrier.
5. All dimensions meet EIA-481-2-A requirements.
6. Component load per 13" Reel: 1200 pcs.



Recommend Reflowing Profile



All specifications are subject to change without notice