

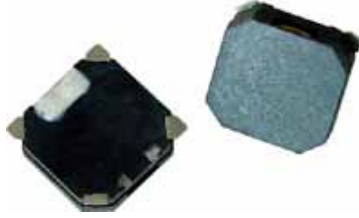
Description

CSET8.5C03-15-2.7F:

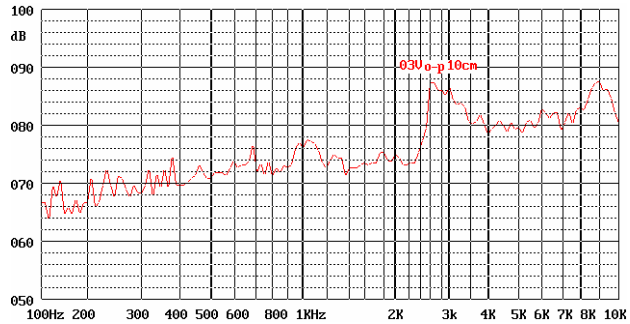
Chinasound SMD Electro-magnetic Transducer 8.5mm length & width, type C(=2.5mm height), 3Vo-p rated voltage - 15ohm coil resistance - 2.731kHz resonant frequency - lead Free solderable and RoHS compliant

- ◆ RoHS complaint
- ◆ Small size
- ◆ Reflowing Solderable
- ◆ Flame Retardant Plastic
- ◆ Tape and reel packaging for auto mounting

Picture



Frequency Response Curve



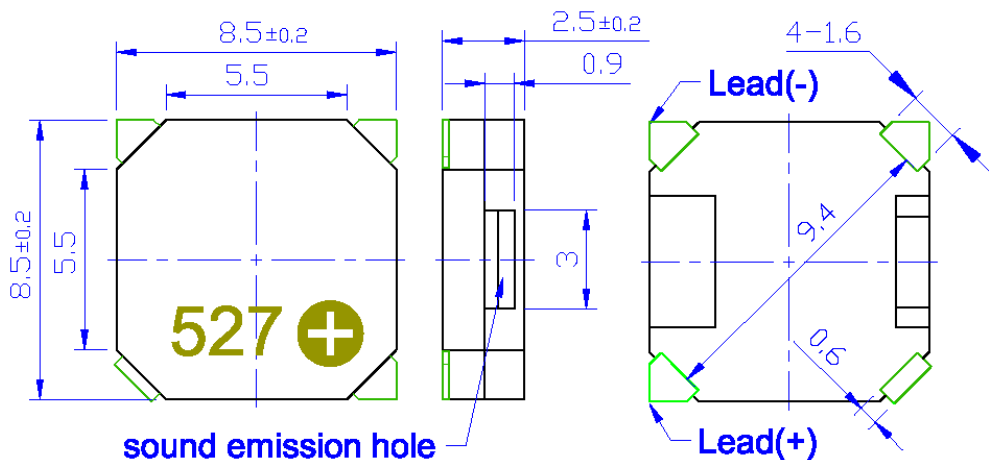
Specification

Rated Voltage	3 Vo-p square wave, 1/2 duty square wave
Operating Voltage	2-4 Vo-p square wave, 1/2 duty square wave
Rated Current	80 mA max. at 3 Vo-p square wave, 1/2 duty square wave, 2731Hz
Coil Resistance	15+/-3 ohm
Sound Output	80dB min. (Typ. 88 dB) at 3 Vo-p square wave, 1/2 duty square wave, 10cm, 2731Hz
Operating Frequency	2731+/-500Hz
Operating Temperature	-30 °C to +85 °C
Storage Temperature	-40 °C to +90 °C
Termination	4 soldering pads, Sn plated Brass
Construction Materials	Case Plastic, LCP Vectra E130i Diaphragm Ni Alloy Disc N50
Weight (Typical)	0.6 g
Reliability	*Life Test At 3 Vo-p in room temperature continuously for 1000 hours no function at +90+/-2 °C for 96 hours, function at +85+/-2 °C for 96 hours, *High Temperature no function at -40+/-2 °C for 96 hours, function at -30+/-2 °C for 96 hours, *Low Temperature 25+/-2 °C, 90-95%RH, 5hr → up to 55+/-2 °C, 90-95%RH, 0.5hr → 55+/-2 °C, 90-95%RH, 5hr → down to 25 +/-2 °C, 90-95%RH, 0.5hr, 10 cycles *Humidity -40+/-2 °C, 30min → +20 °C, 15min, → +85+/-2 °C, 30min → +20 °C, 15min, 5 cycles *Thermal Shock 1.5mm with 10 to 50Hz of vibration frequency to each of 3 perpendicular direction for 2 hrs *Vibration 98m/s ² (=10g) shock for each mutually perpendicular directions, half sine wave, 3 times each *Shock Dropped naturally from 750mm height onto the surface of 10mm wooden board. 2 directions – upper and side of the part are applied *Drop Test Samples put through reflowing soldering oven 2 times *Soldering Heat Resistance Samples put on PCB with solder paste through reflowing soldering oven 1 times **Solderability

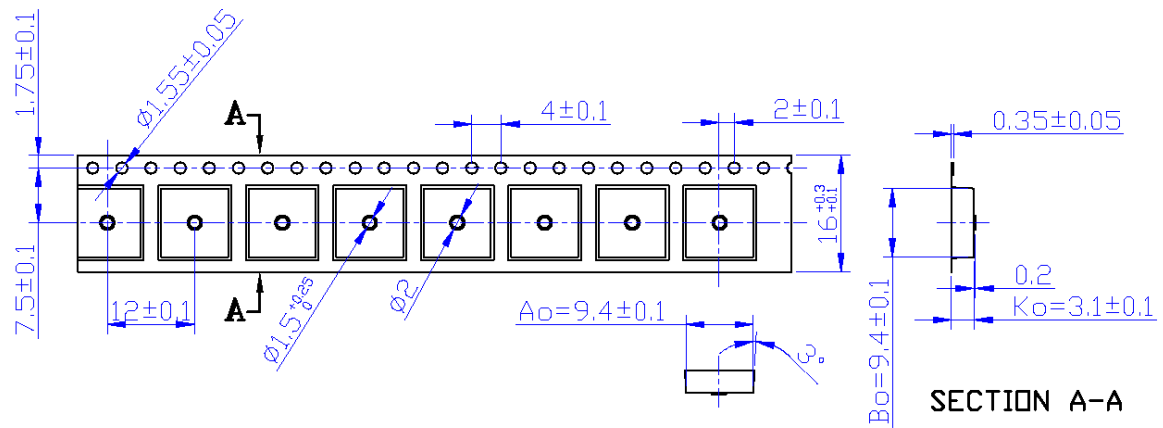
Warranty

* All specifications must be satisfied after the test (Recovery:2 to 4 hrs of recovery under the standard condition after the removal from test chamber).
**90% min. soldering pads shall be with solder.(except the edge of pad)

Dimensions (Unit: mm)

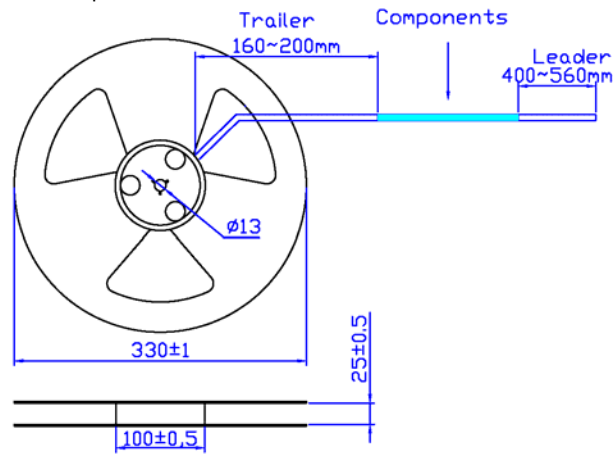


Tape & Reel Dimensions (Unit:mm)



NOTE:

1. 10 sprocket hole pitch cumulative tolerance+/-0.20mm.
2. Carrier camber is 1 mm in 100 mm.
3. A0 and B0 measured on a plane on a place 0.30mm above the bottom of the pocket.
4. K0 measured from a plane on the inside bottom of the pocket to the top surface of the carrier.
5. All dimensions meet EIA-481-2-A requirements.
6. Component load per 13" Reel: 1500 pcs.



Recommend Reflowing Profile

