

Description

CSET8.5A03-15-2.7F:

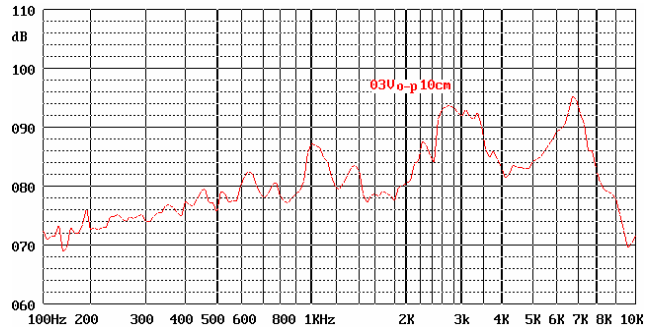
Chinasound SMD Electro-magnetic Transducer 8.5mm length, type A(=8.5mm width, 4.0mm height), 3Vo-p rated voltage - 15ohm coil resistance - 2.731KHz resonant frequency, Lead Free reflowing solderable, RoHS compliant

- ◆ RoHS compliant
- ◆ Small size
- ◆ Reflowing Solderable
- ◆ Flame Retardant Plastic
- ◆ Tape and reel packaging for auto mounting

Picture



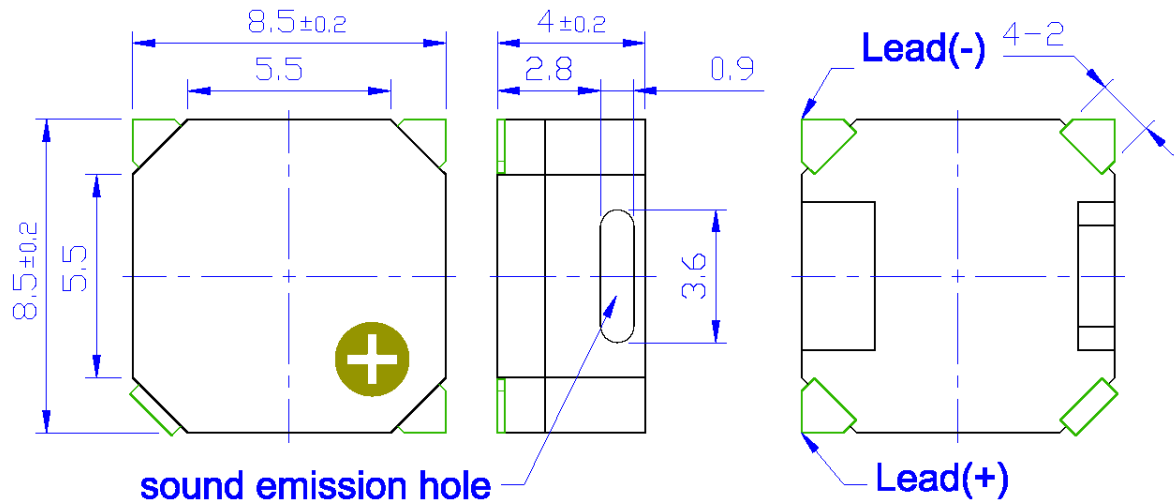
Frequency Response Curve



Specification

Rated Voltage	3 Vo-p square wave, 1/2 duty square wave
Operating Voltage	2~4.5 Vo-p square wave, 1/2 duty square wave
Rated Current	80 mA max. at 3 Vo-p square wave, 1/2 duty square wave
Coil Resistance	15+/-3 ohm
Sound Output	85dB min. at 3 Vo-p square wave, 1/2 duty square wave, 10cm, 2731Hz
Operating Frequency	2731+/-500Hz
Operating Temperature	-30 °C to +85 °C
Storage Temperature	-40 °C to +90 °C
Termination	4 soldering pads, Sn plated Brass
Construction Materials	Plastic, LCP Vectra E130i Diaphragm Ni Alloy Disc N50
Weight (Typical)	0.6g
Reliability	At 3 Vo-p in room temperature continuously for 1000 hours no function at +90+/-2 °C for 96 hours, function at +85+/-2 °C for 96 hours, no function at -40+/-2 °C for 96 hours, function at -30+/-2 °C for 96 hours, 25 +/-2 °C, 90-95%RH, 5hr→up to 55+/-2 °C, 90-95%RH, 0.5hr →55 +/-2 °C, 90-95%RH, 5hr→down to 25 +/-2 °C, 90-95%RH, 0.5hr, 10 cycles -40+/-2 °C, 30min→+20 °C, 15min, →+85+/-2 °C, 30min→+20 °C, 15min, 5 cycles 1.5mm with 10 to 50Hz of vibration frequency to each of 3 perpendicular direction for 2 hrs 98m/s ² (=10g) shock for each mutually perpendicular directions, half sine wave, 3 times each Dropped naturally from 750mm height onto the surface of 10mm wooden board. 2 directions – upper and side of the part are applied
*Life Test	
*High Temperature	
*Low Temperature	
*Humidity	
*Thermal Shock	
*Vibration	
*Shock	
*Drop Test	
*Soldering Heat Resistance	Samples put through reflowing soldering oven 2 times
*Solderability	Samples put through reflowing soldering oven 1 times
Warranty	For a period of one (1) year from date of manufacture under normal operations
* All specifications must be satisfied after the test (Recovery:2 to 4 hrs of recovery under the standard condition after the removal from test chamber).	
**90% min. soldering pads shall be with solder.(except the edge of pad)	

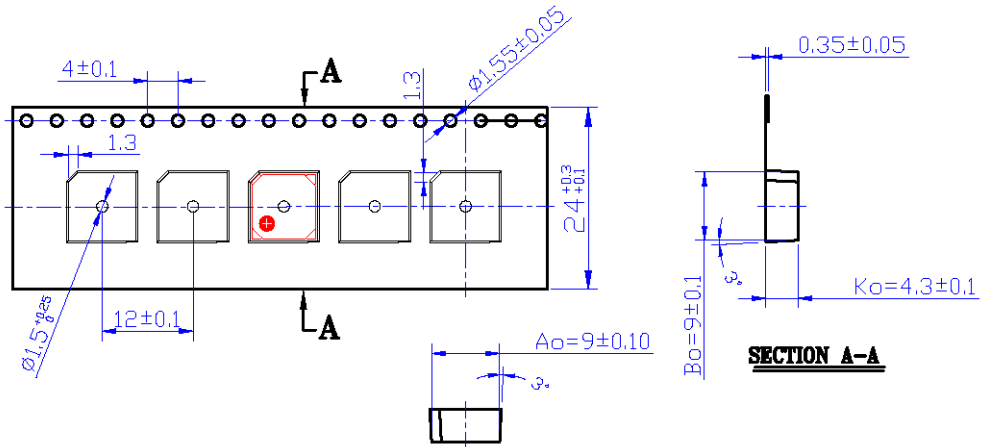
Dimensions (Unit: mm)



All specifications are subject to change without notice

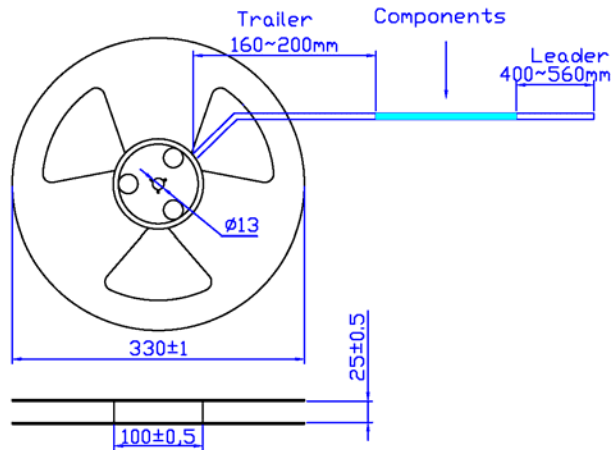


Tape & Reel Dimensions (Unit:mm)

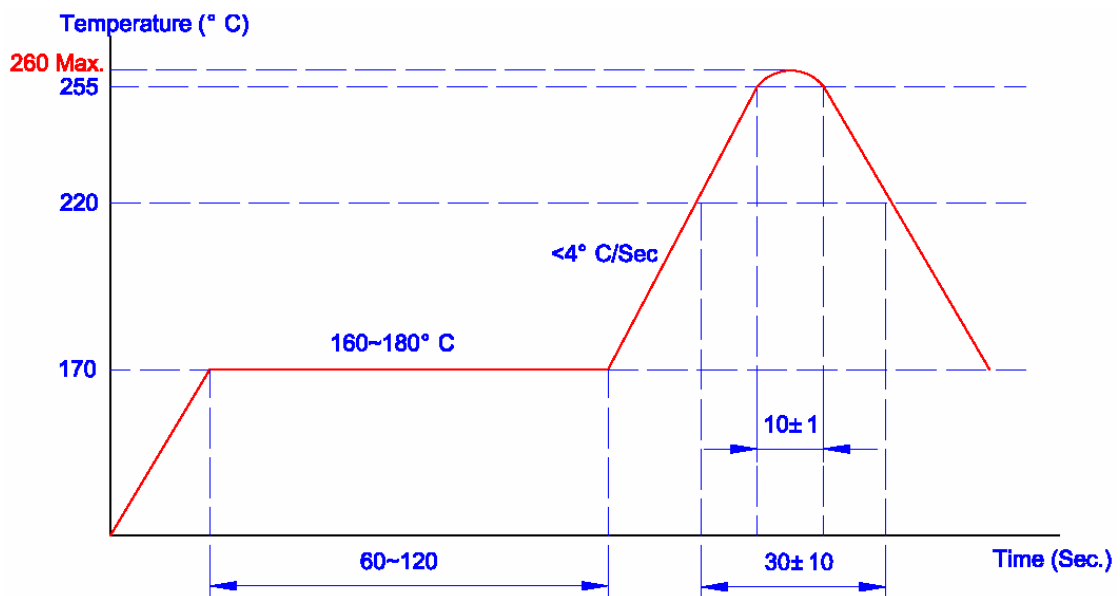


NOTE:

1. 10 sprocket hole pitch cumulative tolerance: ± 0.20 mm.
2. Carrier camber is 1 mm in 100 mm.
3. A0 and B0 measured on a plane on a plane 0.30mm above the bottom of the pocket.
4. K0 measured from a plane on the inside bottom of the pocket to the top surface of the carrier.
5. All dimensions meet EIA-481-2-A requirements.
6. Component load per 13" Reel: 1000 pcs.



Recommend Reflowing Profile



All specifications are subject to change without notice