

Description

CSET05A03-17-4.0F:

Chinasound SMD Electro-magnetic Transducer 5mm length, type A(=5mm width, 3.0mm height), 3Vo-p rated voltage - 17ohm coil resistance - 4.0KHz resonant frequency, Lead Free reflowing solderable, RoHS compliant

◆ RoHS compliant

◆ Small size

◆ Reflowing Solderable

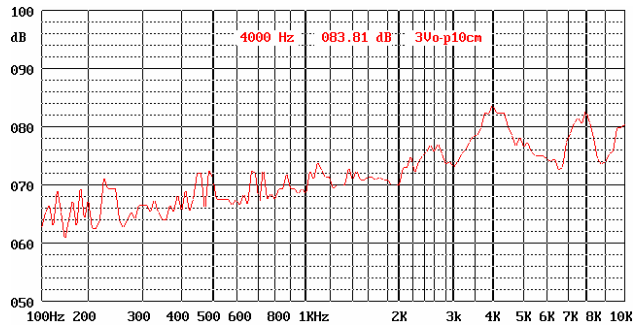
◆ Flame Retardant Plastic

◆ Tape and reel packaging for auto mounting

Picture



Frequency Response Curve



Specification

Rated Voltage

3 Vo-p square wave, 1/2 duty square wave

Operating Voltage

2-4 Vo-p square wave, 1/2 duty square wave

Rated Current

90 mA max. at 3 Vo-p square wave, 1/2 duty square wave, 4000Hz

Coil Resistance

17+/-3 ohm

Sound Output

75dB min. (82 dB typ.) at 3 Vo-p square wave, 1/2 duty square wave, 10cm, 4000Hz

Operating Frequency

4000+/-500Hz

Operating Temperature

-30 °C to +85 °C

Storage Temperature

-40 °C to +90 °C

Termination

Description

4 soldering pads, Sn plated Brass

Construction Materials

Case

Plastic, LCP Vectra E130i

Diaphragm

Ni Alloy Disc N50

Weight (Typical)

0.5 g

Reliability

***Life Test**

At 3 Vo-p in room temperature continuously for 1000 hours

***High Temperature**

no function at +90+/-2 °C for 96 hours, function at +85+/-2 °C for 96 hours,

***Low Temperature**

no function at -40+/-2 °C for 96 hours, function at -30+/-2 °C for 96 hours,

***Humidity**

25+/-2 °C, 90-95%RH, 5hr→up to 55+/-2 °C, 90-95%RH, 0.5hr →55+/-2 °C, 90-95%RH,

5hr→down to 25+/-2 °C, 90-95%RH, 0.5hr, 10 cycles

***Thermal Shock**

-40+/-2 °C, 30min→+20 °C, 15min, →+85+/-2 °C, 30min→+20 °C, 15min, 5 cycles

***Vibration**

1.5mm with 10 to 50Hz of vibration frequency to each of 3 perpendicular direction for 2 hrs

***Shock**

98m/s² (=10g) shock for each mutually perpendicular directions, half sine wave, 3 times each

***Drop Test**

Dropped naturally from 750mm height onto the surface of 10mm wooden board. 2 directions - upper and side of the part are applied

***Soldering Heat Resistance**

Samples put through reflowing soldering oven 2 times

***Solderability**

Samples put through reflowing soldering oven 1 times

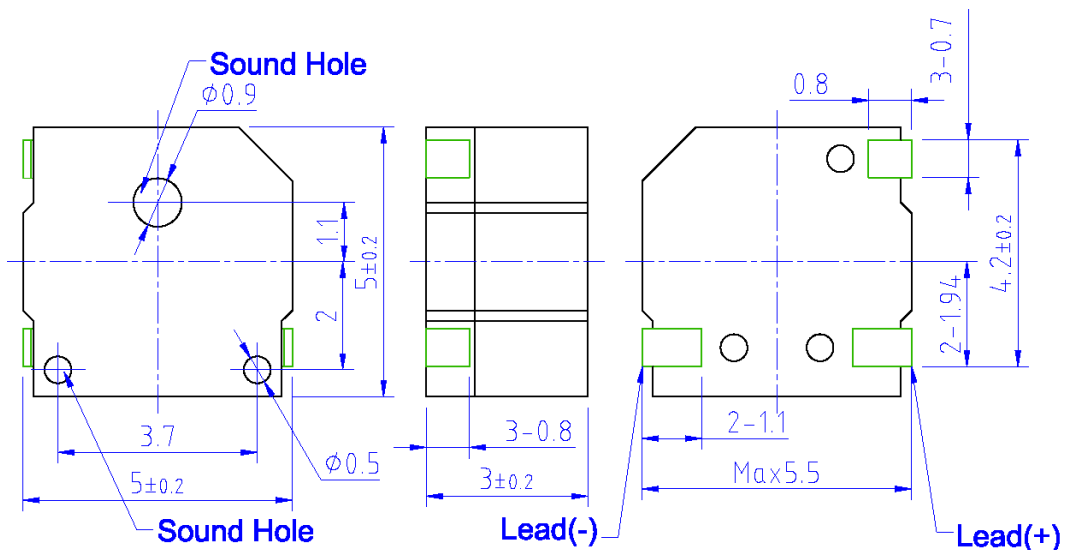
Warranty

For a period of one (1) year from date of manufacture under normal operations

* All specifications must be satisfied after the test (Recovery:2 to 4 hrs of recovery under the standard condition after the removal from test chamber).

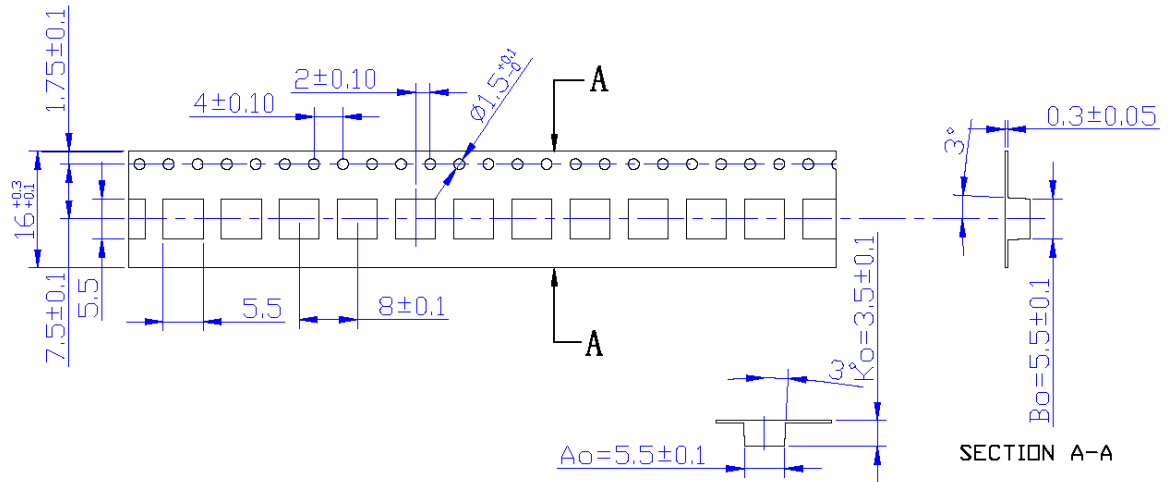
**90% min. soldering pads shall be with solder.(except the edge of pad)

Dimensions (Unit: mm)



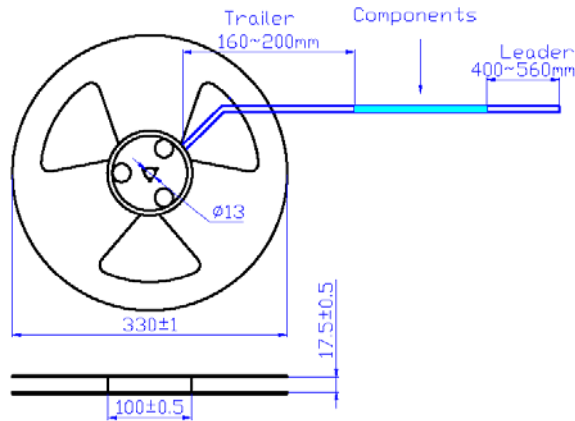
All specifications are subject to change without notice

Tape & Reel Dimensions (Unit:mm)

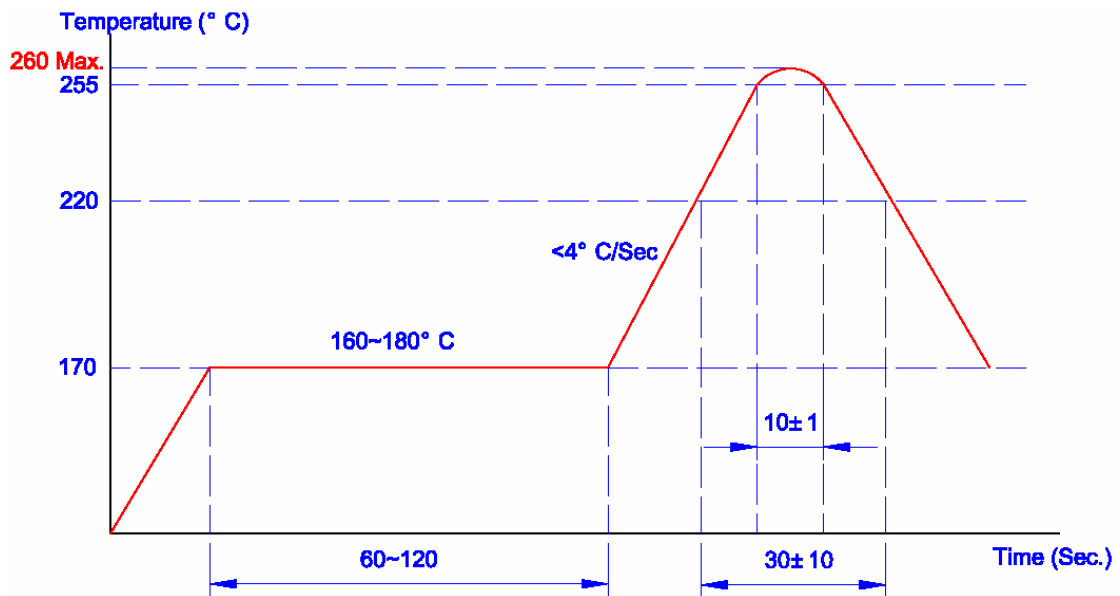


NOTE:

1. 10 sprocket hole pitch cumulative tolerance: +/-0.20mm.
2. Carrier camber is 1 mm in 100 mm.
3. A0 and B0 measured on a plane on a plane 0.30mm above the bottom of the pocket.
4. K0 measured from a plane on the inside bottom of the pocket to the top surface of the carrier.
5. All dimensions meet EIA-481-2-A requirements.
6. Component load per 13" Reel: 2000 pcs.



Recommend Reflowing Profile



All specifications are subject to change without notice