

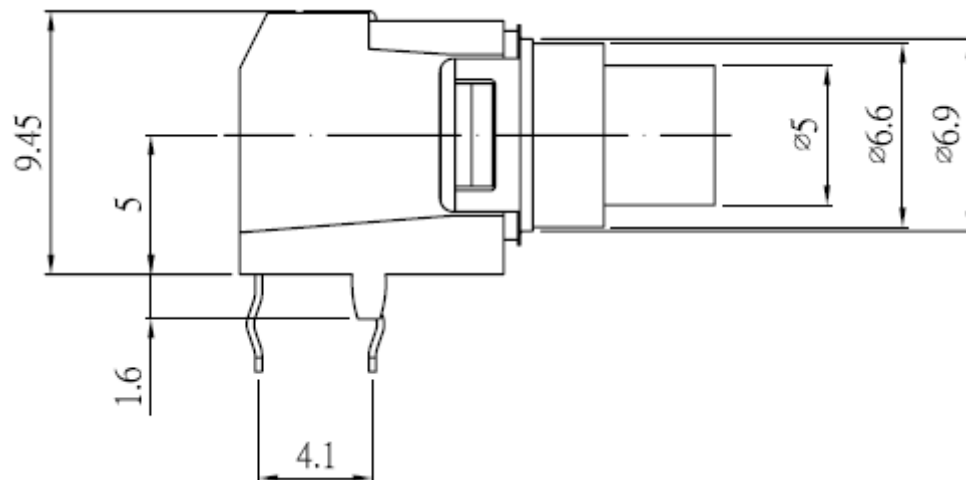
EDCON-COMPONENTS



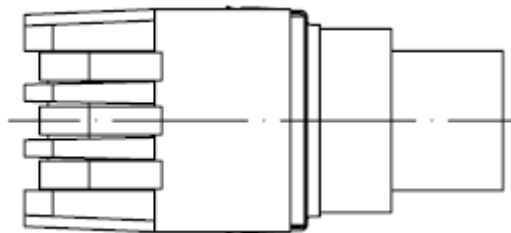
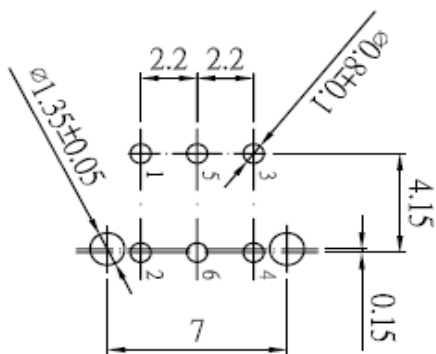
SPECIFICATION:

Voltage Rating:	32VDC
Current Rating:	100mA
Mechanical Life:	50.000cycles
Contact Resistance:	250m Ω max
Insulation Resistance:	100M Ω min. 500VDC
Dielectric Strength:	250VAC/1min.
Operating Temperature:	.-20°C ~ +70°C
Operating Force:	400gr.
Travel:	2,mm ±0,5mm
Function:	Momentary OFF-(ON)
Switch	1P2T

Drawing



PCB Layout



Illuminated PCB Switch

Part No.: **Q32030**

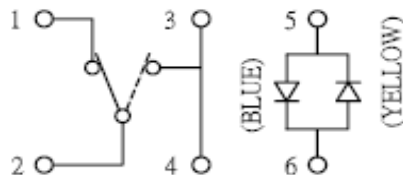
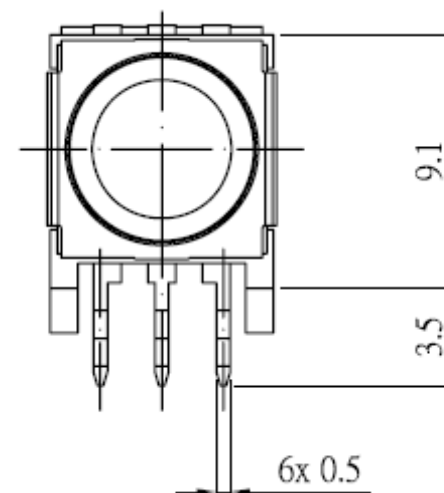
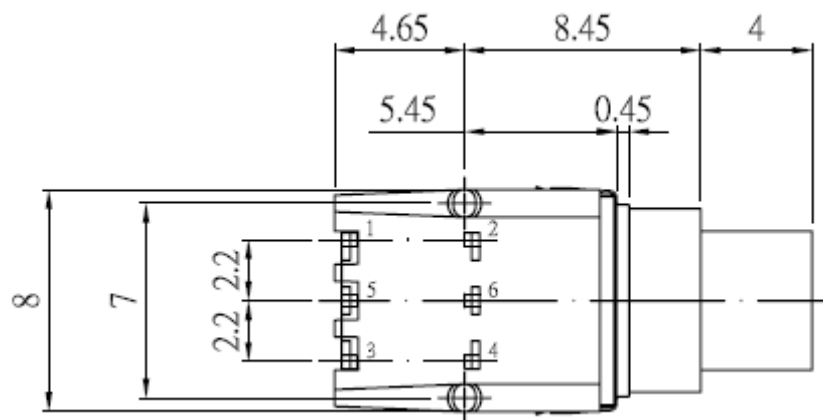
Customer:

DRW:	Jason	CHKD	Wilson	MATL:	Wilson	TOLERANCE	Mason	DATE	22.09.2016
APPD:	Schumi			FINISH	Jamy		Sheet No.	1 from 4	

EDCON-COMPONENTS



You can create by your self (Please consult EDCON)



Illuminated PCB Switch

Part No.: **Q32030**

Customer:

DRW:	Jason	CHKD	Wilson	MATL:	Wilson	TOLERANCE	Mason	DATE	22.09.2016
APPD:	Schumi			FINISH	Jamy		Sheet No.	2 from 4	

EDCON-COMPONENTS



Ordering Informations

Serie	Cap Color	Contact Material	Operating Force	LED Qty.	Electrical life	LED 1	Special function	Symbol Code	ROHS	Packing
Q32030	C	S	401	N	503	N	N	A0	R	TU

C= Transparency	S= Silver Plated	401= 400gr	N= without LED	503= 50.000 cycles	N= without LED	N= No Function	A0= No Symbol	N= Non ROHS	
M= Milky White	G= Gold Plated		1= with One Single LED		U= Blue				R= ROHS conform
R= Red / Single LED			2= with One Dual LED		G= Green				BU= Bulk Ware
O= Orange / Single LED					Y= Yellow				
G= Green / Singel LED					R= Red				
B= Blue / Single LED					W= White				
					P= Red / Blue Dual Led				
					Z= Red / Green Dual Led				
					X= Blue / Yellow Dual Led				

Illuminated PCB Switch

Part No.: **Q32030**

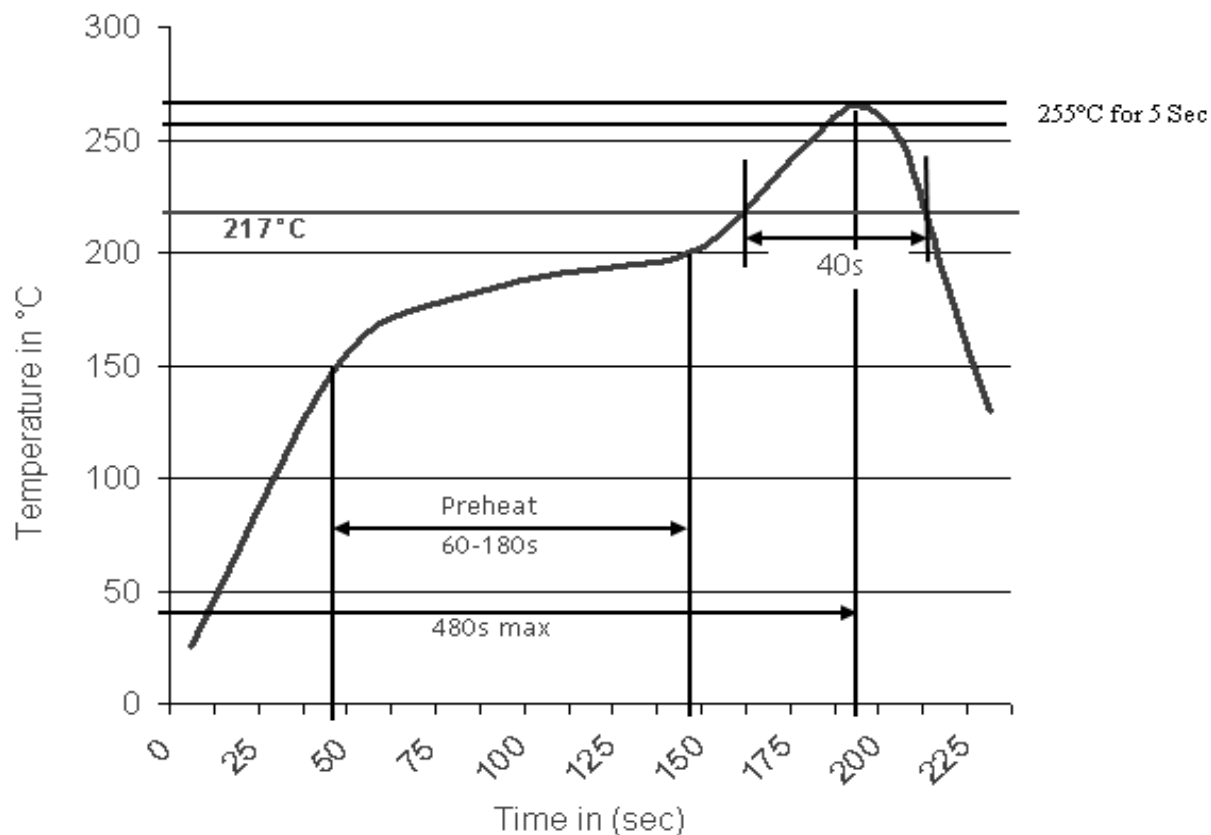
Customer:

DRW:	Jason	CHKD	Wilson	MATL:	Wilson	TOLERANCE	Mason	DATE	22.09.2016
APPD:	Schumi			FINISH	Jamy		Sheet No.		3 from 4



Soldering Profile Curve

Classification Reflow Profile (JEDEC J-STD-020C)



**Illuminated PCB
Switch**

Part No.: **Q32030**

DRW:	Jason	CHKD	Wilson	MATL:	Wilson	TOLERANCE	Mason	DATE	22.09.2016
APPD:	Schumi			FINISH	Jamy		Sheet No.	4 from 4	Customer: