

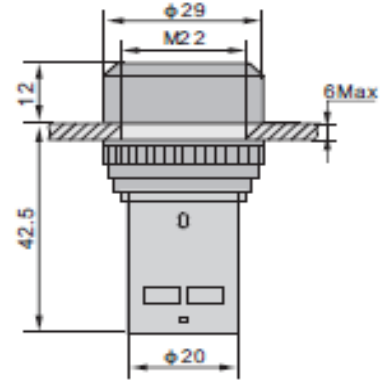
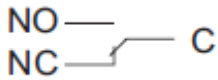


Technical Dimension

Available into following colors

- Black
- Green
- Red

Circuit



Material

Material ABS

Dicription

Spring Return

Ordering Information

Serie	Color	ROHS	Packing			
21A4008	RD	R	WC			

RD= Red	R= ROHS Conform	WC= White Carton
GN= Green	N= NON ROHS	
BK= Black		

Push Button Serie							
Part No.:	21A4008						
Customer:							
DRW:	Jason	CHKD	Jules	MATL:	Wu	DATE	06.06.2009
APPD:	Join			FINISH	Shieh	Sheet	1 from 1