

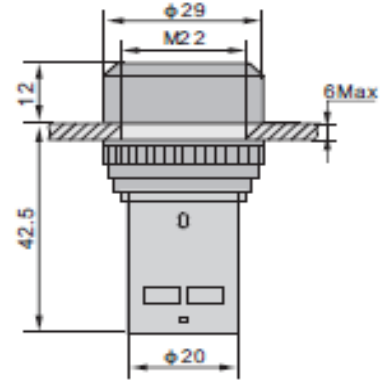
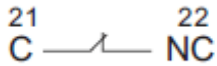


**Technical Dimension**

Available into following colors

 Red

Circuit



**Material**

Material ABS

**Dicription**

Spring Return

**Ordering Information**

Serie	Color	ROHS	Packing			
<b>21A4007</b>	<b>RD</b>	<b>R</b>	<b>WC</b>			

<b>RD= Red</b>	<b>R= ROHS Conform</b>	<b>WC= White Carton</b>
	<b>N= NON ROHS</b>	

**Push Button Serie**

Part No.: **21A4007**  
 Customer:

DRW:	Jason	CHKD	Jules	MATL:	Wu	DATE	06.06.2009
APPD:	Join			FINISH	Shieh	Sheet	1 from 1