

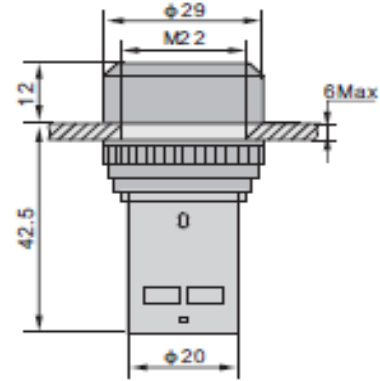
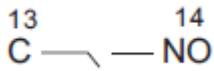


**Technical Dimension**

Available into following colors

- Black
- Green

Circuit



**Material**

Material ABS

**Dicription**

Spring Return

**Ordering Information**

Serie	Color	ROHS	Packing			
<b>21A4006</b>	<b>BK</b>	<b>R</b>	<b>WC</b>			

<b>BK=</b> Black	<b>R=</b> ROHS Conform	<b>WC=</b> White Carton
<b>GN=</b> Green	<b>N=</b> NON ROHS	

**Push Button Serie**

Part No.: **21A4006**  
 Customer:

DRW:	Jason	CHKD	Jules	MATL:	Wu	DATE	06.06.2009
APPD:	Join			FINISH	Shieh	Sheet	1 from 1