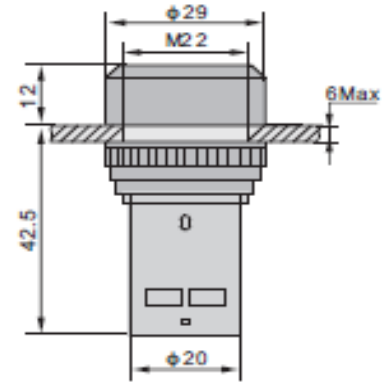




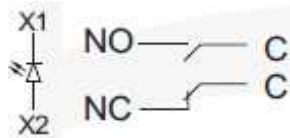
**Technical Dimension**

Available into following colors

- Green/PG
- Yellow
- Red



Circuit



**Material**

Material ABS

**Dicription**

Push to Look / Push to release

**Ordering Information**

Serie	Color	ROHS	Packing			
<b>21A4005</b>	<b>RD</b>	<b>R</b>	<b>WC</b>			

<b>RD=</b> Red	<b>R=</b> ROHS Conform	<b>WC=</b> White Carton
<b>GN=</b> Green	<b>N=</b> NON ROHS	
<b>YE=</b> Yellow		

Push Button Serie	
Part No.:	<b>21A4005</b>
Customer:	

DRW:	Jason	CHKD	Jules	MATL:	Wu	DATE	06.06.2009
APPD:	Join			FINISH	Shieh	Sheet	1 from 1