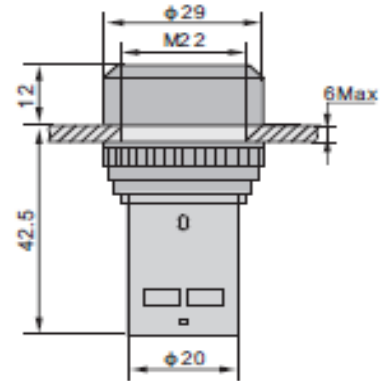




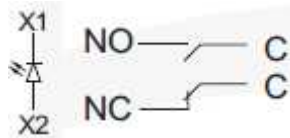
Technical Dimension

Available into following colors

- Green/PG
- Yellow
- Pure Blue
- Red



Circuit



Material

Material ABS

Dicription

Spring Return

Ordering Information

Serie	Color	ROHS	Packing			
21A4004	RD	R	WC			

RD= Red	R= ROHS Conform	WC= White Carton
BL= Pure Blue	N= NON ROHS	
GN= Green		
YE= Yellow		

Push Button Serie	
Part No.:	21A4004
Customer:	

DRW:	Jason	CHKD	Jules	MATL:	Wu	DATE	06.06.2009
APPD:	Join			FINISH	Shieh	Sheet	1 from 1