

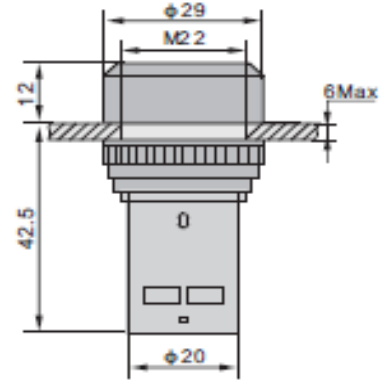
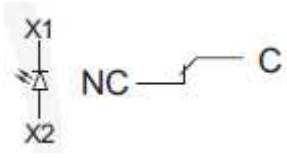


Technical Dimension

Available into following colors

 Red

Circuit



Material

Material ABS

Dicription

Spring Return

Ordering Information

Serie	Color	ROHS	Packing			
-------	-------	------	---------	--	--	--

21A4003	RD	R	WC			
----------------	-----------	----------	-----------	--	--	--

RD= Red	R= ROHS Conform	WC= White Carton
	N= NON ROHS	

Push Button Serie							
Part No.:	21A4003						
Customer:							
DRW:	Jason	CHKD	Jules	MATL:	Wu	DATE	06.06.2009
APPD:	Join			FINISH	Shieh	Sheet	1 from 1