

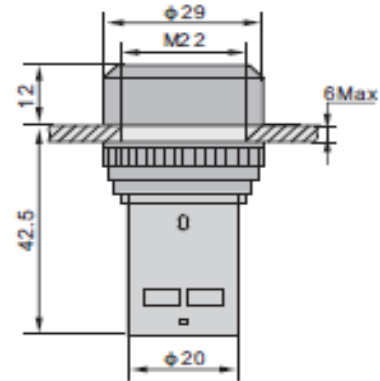
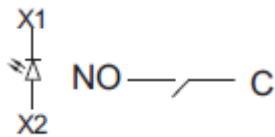


**Technical Dimension**

Available into following colors

- White/PW
- Green/PG
- Yellow
- Pure Blue

Circuit



**Material**

Material ABS

**Dicription**

Spring Return

**Ordering Information**

Serie	Color	ROHS	Packing			
21A4002	WH	R	WC			

<b>WH=</b> White	<b>R=</b> ROHS Conform	<b>WC=</b> White Carton
<b>BL=</b> Pure Blue	<b>N=</b> NON ROHS	
<b>GN=</b> Green		
<b>YE=</b> Yellow		

Push Button Serie	
Part No.:	<b>21A4002</b>
Customer:	

DRW:	Jason	CHKD	Jules	MATL:	Wu	DATE	06.06.2009
APPD:	Join			FINISH	Shieh	Sheet	1 from 1