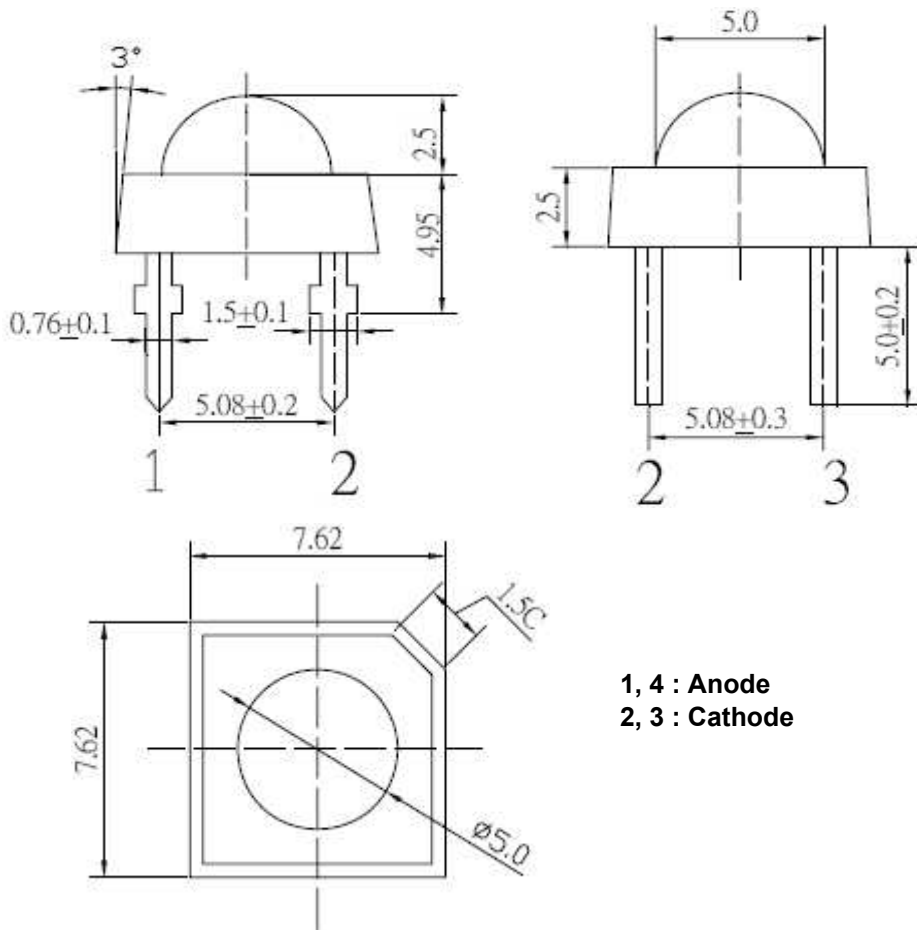




**Applications**

- Electronic Signs and Signals
- Small Area Illuminations
- Back Lighting
- Other Lighting

**Technical Drawing**



1, 4 : Anode  
 2, 3 : Cathode

**Notes :**

All dimensions in mm tolerance is  $\pm 0.1$ mm unless otherwise noted.

<b>Super Flux Blue</b>	
Part No.:	<b>M13K2017</b>
Customer:	

DRW:	Dong	CHKD	Chang	MATL:	Chui	DATE	28.06.2010
APPD:	Ping			FINISH	Hui	Sheet	1 from 6



**Absolute Maximum Ratings**

Item	Symbol	InGaN	Unit
Power Dissipation	P <sub>D</sub>	140	mW
DC Forward Current	I <sub>F</sub>	30	mA
Pulsed Forward Current	I <sub>FP</sub> *	70	mA
Reverse Voltage	V <sub>R</sub>	5	V
Operating Temperature	T <sub>OP</sub>	-40 to 80	°C
Storage Temperature	T <sub>ST</sub>	-40 to 100	°C

\* 0.1 msec pulse, 10% duty cycle

**Electrical / Optical Characteristics**

Ermitting Color	Blue		
Material	InGaN		
Forward Voltage	typ.	2.9	V <sub>F</sub>
	max.	3.3	V <sub>F</sub>
Wavelength typ.	λ <sub>D</sub>	460	nm
	λ <sub>P</sub>	470	nm
	Δλ	---	nm
Color Temperature	min.	---	K
	max.	---	K
Luminous Intensity *	min.	2000	mcd
	typ.	2500	mcd
Reverse Current	max.	---	μA
Viewing Angle	2Θ <sub>1/2</sub>	80	

\* Per NIST standards

**Super Flux  
Blue**

Part No.: **M13K2017**

Customer:

DRW:	Dong	CHKD	Chang	MATL:	Chui	DATE	28.06.2010
APPD:	Ping			FINISH	Hui	Sheet	2 from 6



**Directive Characteristics**

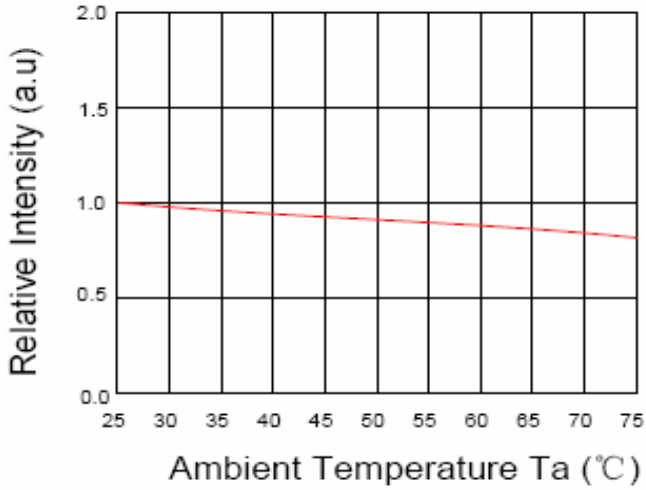
<b>Super Flux Blue</b>	
Part No.:	<b>M13K2017</b>
Customer:	

DRW:	Dong	CHKD	Chang	MATL:	Chui	DATE	28.06.2010
APPD:	Ping			FINISH	Hui	Sheet	3 from 6

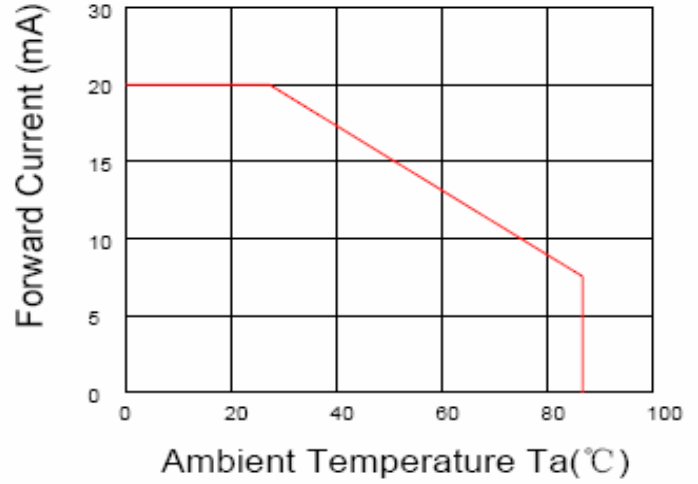


**Curve**

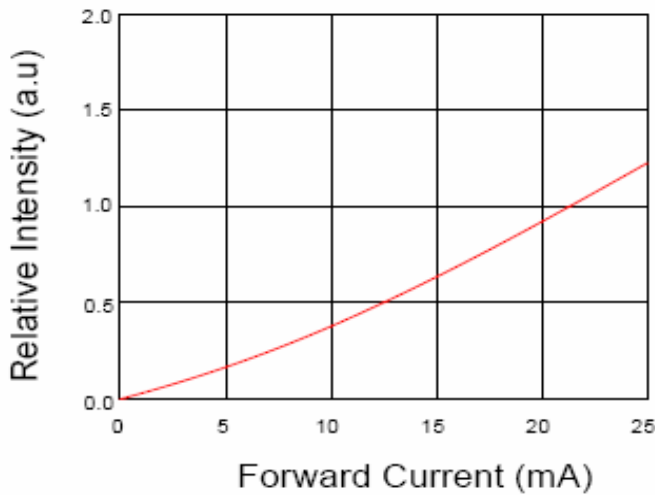
Relative Intensity VS. Ambient Temp



Forward Current VS. Ambient Temp



Forward Current VS. Relative Intensity



**Super Flux  
Blue**

Part No.: **M13K2017**

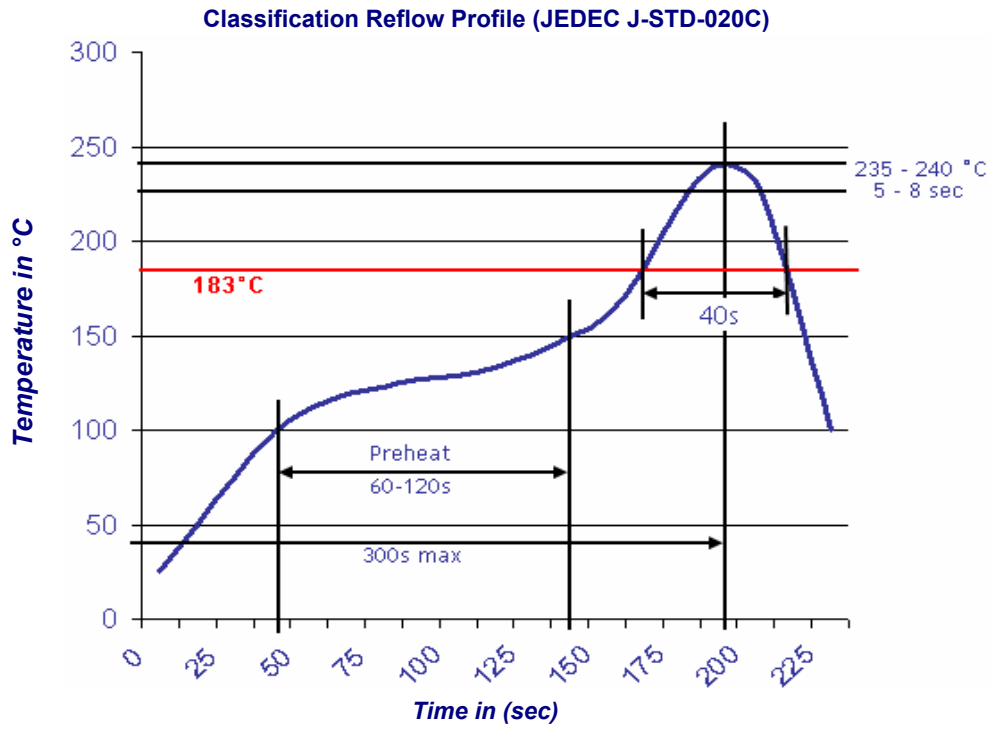
Customer:

DRW:	Dong	CHKD	Chang	MATL:	Chui	DATE	28.06.2010
APPD:	Ping			FINISH	Hui	Sheet	4 from 6



**Solder Condition**

**Lead Free Solder**



<b>Super Flux Blue</b>	
Part No.:	<b>M13K2017</b>
Customer:	

DRW:	Dong	CHKD	Chang	MATL:	Chui	DATE	28.06.2010
APPD:	Ping			FINISH	Hui	Sheet	5 from 6



**Color table curve**



<b>Super Flux Blue</b>	
Part No.:	<b>M13K2017</b>
Customer:	

DRW:	Dong	CHKD	Chang	MATL:	Chui	DATE	28.06.2010
APPD:	Ping			FINISH	Hui	Sheet	6 from 6

Copyright by EDCON-COMPONENTS