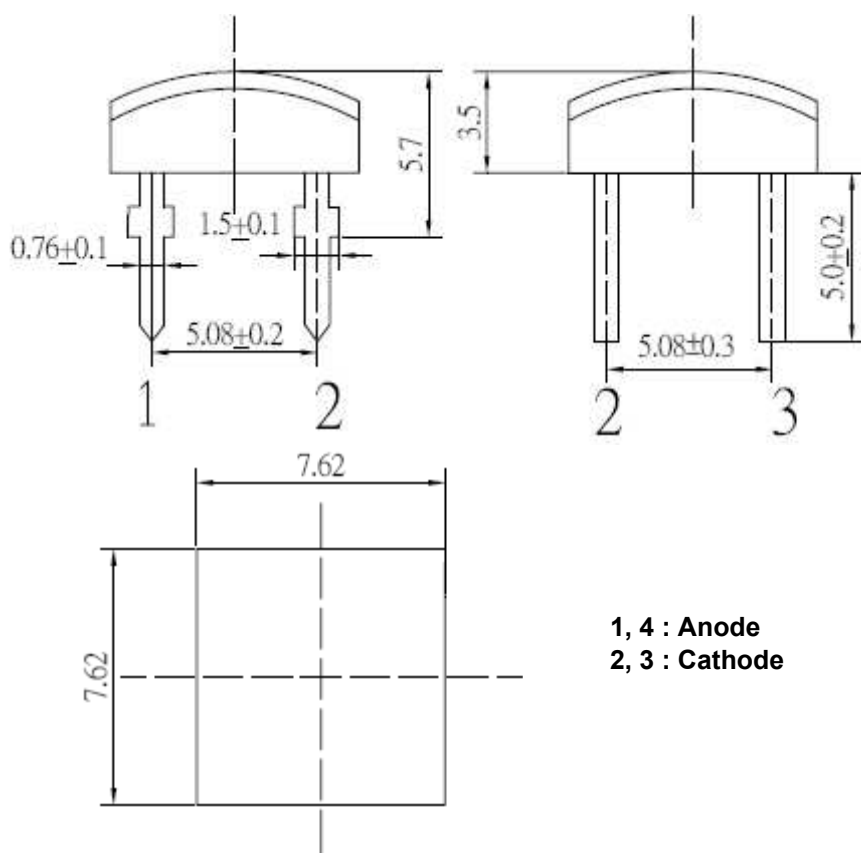




**Applications**

- Electronic Signs and Signals
- Small Area Illuminations
- Back Lighting
- Other Lighting

**Technical Drawing**



1, 4 : Anode  
 2, 3 : Cathode

**Notes :**

All dimensions in mm tolerance is ± 0.1mm unless otherwise noted.

|                             |                 |
|-----------------------------|-----------------|
| <b>Super Flux<br/>Green</b> |                 |
| Part No.:                   | <b>M13J9007</b> |
| Customer:                   |                 |

|       |      |      |       |        |      |       |            |
|-------|------|------|-------|--------|------|-------|------------|
| DRW:  | Dong | CHKD | Chang | MATL:  | Chui | DATE  | 28.06.2010 |
| APPD: | Ping |      |       | FINISH | Hui  | Sheet | 1 from 6   |



### Absolute Maximum Ratings

| Item                   | Symbol     | InGaN      | Unit |
|------------------------|------------|------------|------|
| Power Dissipation      | $P_D$      | 140        | mW   |
| DC Forward Current     | $I_F$      | 30         | mA   |
| Pulsed Forward Current | $I_{FP}^*$ | 70         | mA   |
| Reverse Voltage        | $V_R$      | 5          | V    |
| Operating Temperature  | $T_{OP}$   | -40 to 80  | °C   |
| Storage Temperature    | $T_{ST}$   | -40 to 100 | °C   |

\* 0.1 msec pulse, 10% duty cycle

### Electrical / Optical Characteristics

| Ermitting Color      | Green           |      |         |
|----------------------|-----------------|------|---------|
| Material             | InGaN           |      |         |
| Forward Voltage      | typ.            | 2.9  | $V_F$   |
|                      | max.            | 3.3  | $V_F$   |
| Wavelength<br>typ.   | $\lambda_D$     | 520  | nm      |
|                      | $\lambda_P$     | 530  | nm      |
|                      | $\Delta\lambda$ | ---  | nm      |
| Color Temperature    | min.            | ---  | K       |
|                      | max.            | ---  | K       |
| Luminous Intensity * | min.            | 800  | mcd     |
|                      | typ.            | 1000 | mcd     |
| Reverse Current      | max.            | ---  | $\mu A$ |
| Viewing Angle        | $2\theta_{1/2}$ | 120  |         |

\* Per NIST standards

**Super Flux  
Green**

Part No.: **M13J9007**

Customer:

|       |      |      |       |        |      |       |            |
|-------|------|------|-------|--------|------|-------|------------|
| DRW:  | Dong | CHKD | Chang | MATL:  | Chui | DATE  | 28.06.2010 |
| APPD: | Ping |      |       | FINISH | Hui  | Sheet | 2 from 6   |

Copyright by EDCON-COMPONENTS



### Directive Characteristics

**Super Flux  
Green**

Part No.: **M13J9007**

Customer:

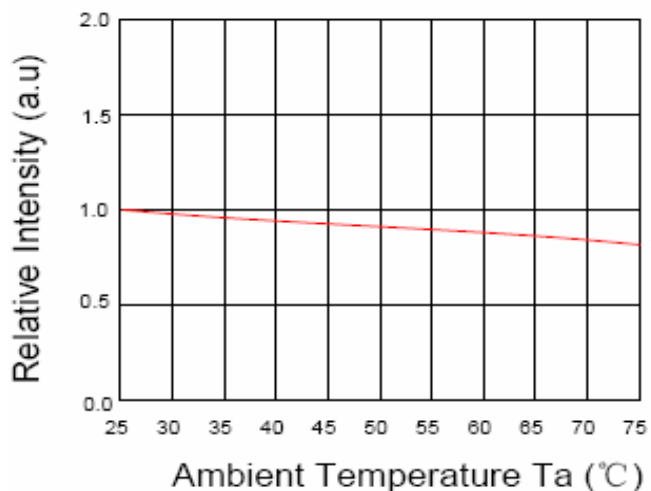
|       |      |      |       |        |      |       |            |
|-------|------|------|-------|--------|------|-------|------------|
| DRW:  | Dong | CHKD | Chang | MATL:  | Chui | DATE  | 28.06.2010 |
| APPD: | Ping |      |       | FINISH | Hui  | Sheet | 3 from 6   |

Copyright by EDCON-COMPONENTS

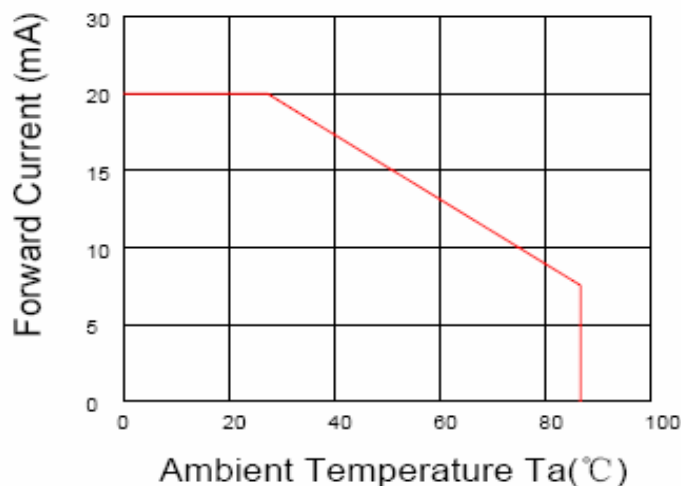


**Curve**

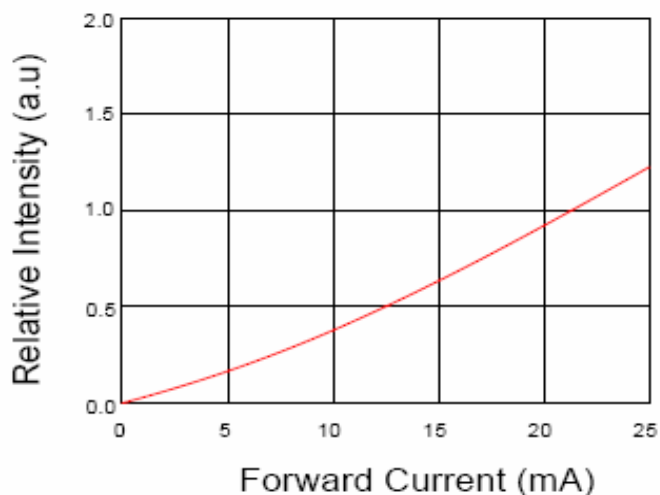
Relative Intensity VS. Ambient Temp



Forward Current VS. Ambient Temp



Forward Current VS. Relative Intensity



**Super Flux  
Green**

Part No.: **M13J9007**

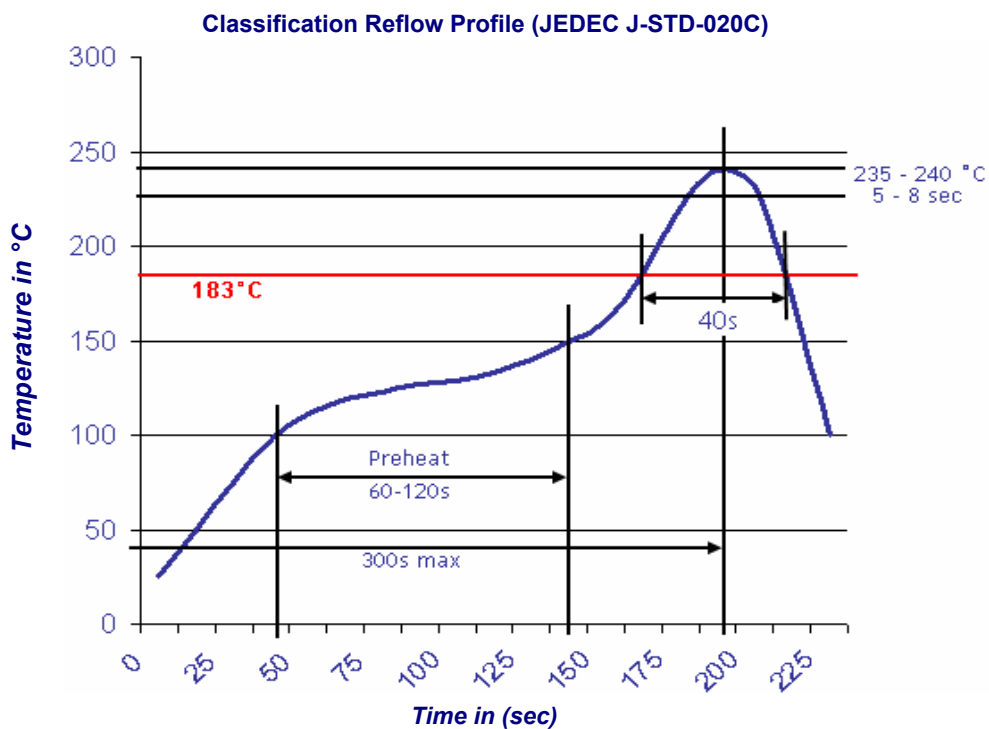
Customer:

|       |      |      |       |        |      |       |            |
|-------|------|------|-------|--------|------|-------|------------|
| DRW:  | Dong | CHKD | Chang | MATL:  | Chui | DATE  | 28.06.2010 |
| APPD: | Ping |      |       | FINISH | Hui  | Sheet | 4 from 6   |



**Solder Condition**

**Lead Free Solder**

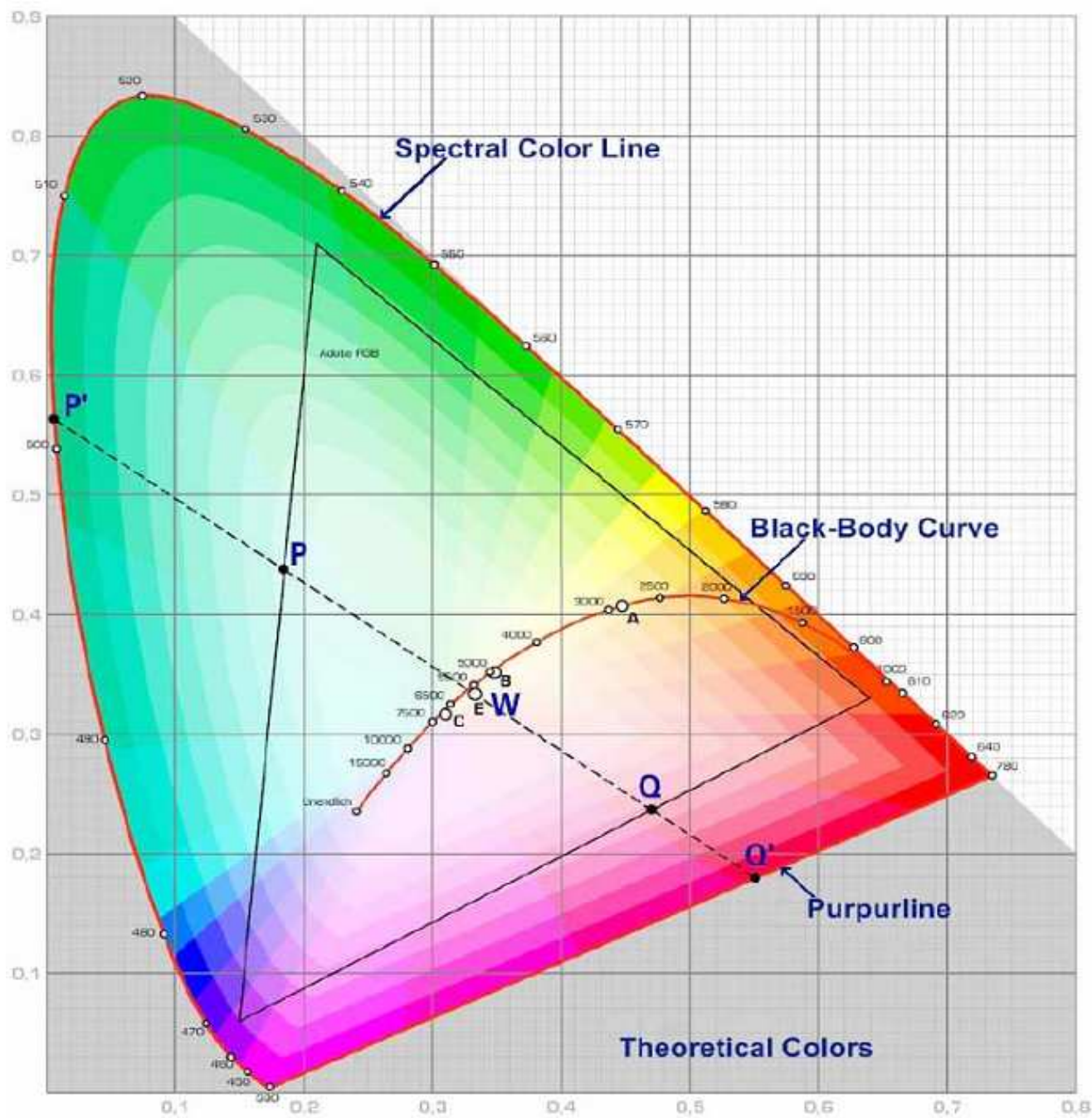


|                             |                 |
|-----------------------------|-----------------|
| <b>Super Flux<br/>Green</b> |                 |
| Part No.:                   | <b>M13J9007</b> |
| Customer:                   |                 |

|       |      |      |       |        |      |       |            |
|-------|------|------|-------|--------|------|-------|------------|
| DRW:  | Dong | CHKD | Chang | MATL:  | Chui | DATE  | 28.06.2010 |
| APPD: | Ping |      |       | FINISH | Hui  | Sheet | 5 from 6   |



**Color table curve**



|                             |                 |
|-----------------------------|-----------------|
| <b>Super Flux<br/>Green</b> |                 |
| Part No.:                   | <b>M13J9007</b> |
| Customer:                   |                 |

|       |      |      |       |        |      |       |            |
|-------|------|------|-------|--------|------|-------|------------|
| DRW:  | Dong | CHKD | Chang | MATL:  | Chui | DATE  | 28.06.2010 |
| APPD: | Ping |      |       | FINISH | Hui  | Sheet | 6 from 6   |

Copyright by EDCON-COMPONENTS