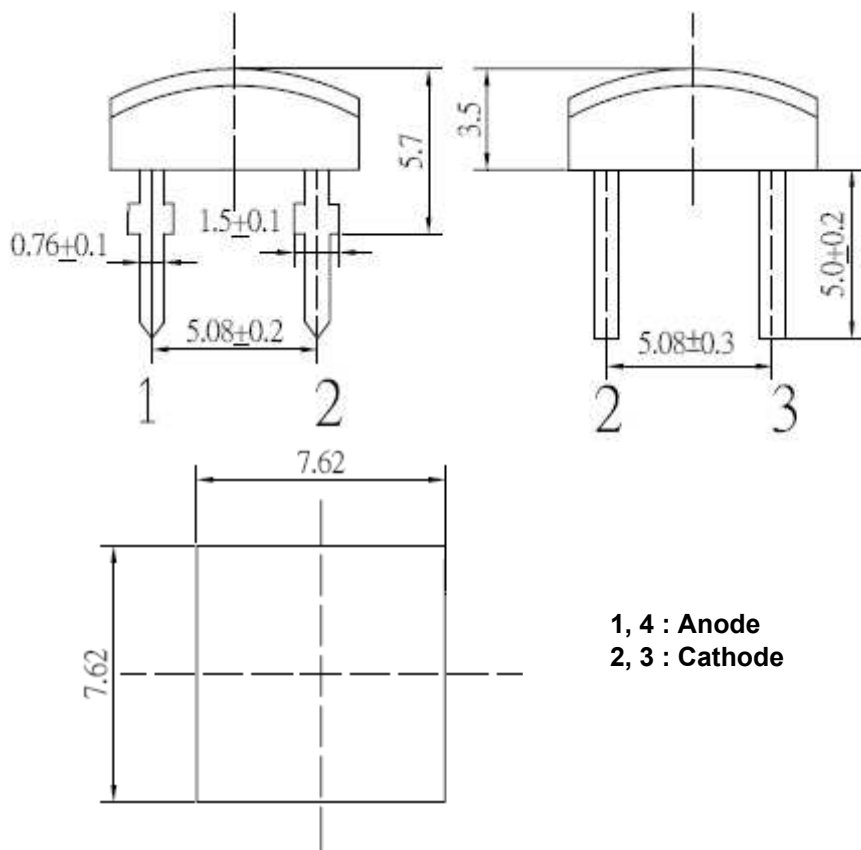




**Applications**

- Electronic Signs and Signals
- Small Area Illuminations
- Back Lighting
- Other Lighting

**Technical Drawing**



1, 4 : Anode  
2, 3 : Cathode

**Notes :**

All dimensions in mm tolerance is ± 0.1mm unless otherwise noted.

<b>Super Flux Cyan</b>	
Part No.:	<b>M13J9006</b>
Customer:	

DRW:	Dong	CHKD	Chang	MATL:	Chui	DATE	28.06.2010
APPD:	Ping			FINISH	Hui	Sheet	1 from 6



### Absolute Maximum Ratings

Item	Symbol	InGaN	Unit
Power Dissipation	$P_D$	140	mW
DC Forward Current	$I_F$	30	mA
Pulsed Forward Current	$I_{FP}^*$	70	mA
Reverse Voltage	$V_R$	5	V
Operating Temperature	$T_{OP}$	-40 to 80	°C
Storage Temperature	$T_{ST}$	-40 to 100	°C

\* 0.1 msec pulse, 10% duty cycle

### Electrical / Optical Characteristics

Ermitting Color	Cyan		
Material	InGaN		
Forward Voltage	typ.	2.9	$V_F$
	max.	3.3	$V_F$
Wavelength typ.	$\lambda_D$	505	nm
	$\lambda_P$	510	nm
	$\Delta\lambda$	---	nm
Color Temperature	min.	---	K
	max.	---	K
Luminous Intensity *	min.	1100	mcd
	typ.	1600	mcd
Reverse Current	max.	---	$\mu A$
Viewing Angle	$2\theta_{1/2}$	120	

\* Per NIST standards

### Super Flux Cyan

Part No.: **M13J9006**

Customer:

DRW:	Dong	CHKD	Chang	MATL:	Chui	DATE	28.06.2010
APPD:	Ping			FINISH	Hui	Sheet	2 from 6

Copyright by EDCON-COMPONENTS



### Directive Characteristics

**Super Flux  
Cyan**

Part No.: **M13J9006**

Customer:

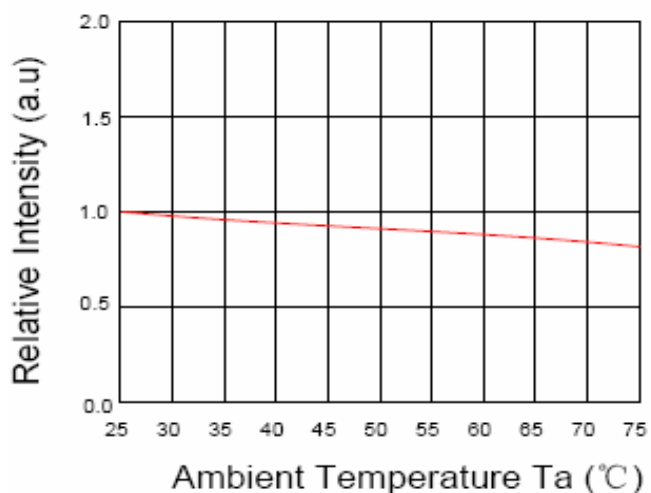
DRW:	Dong	CHKD	Chang	MATL:	Chui	DATE	28.06.2010
APPD:	Ping			FINISH	Hui	Sheet	3 from 6

Copyright by EDCON-COMPONENTS

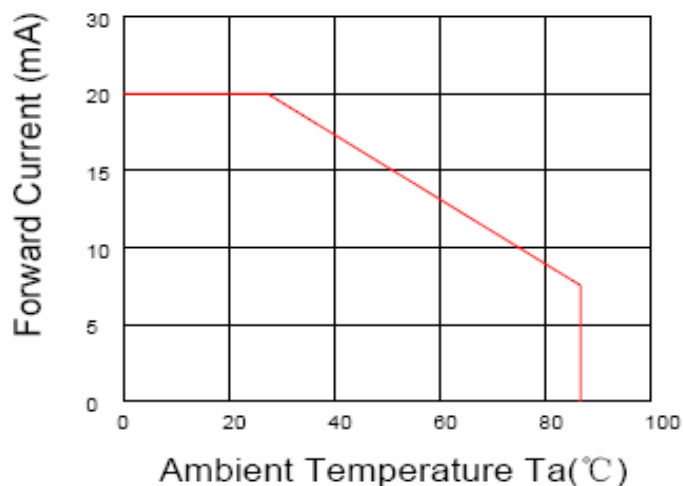


**Curve**

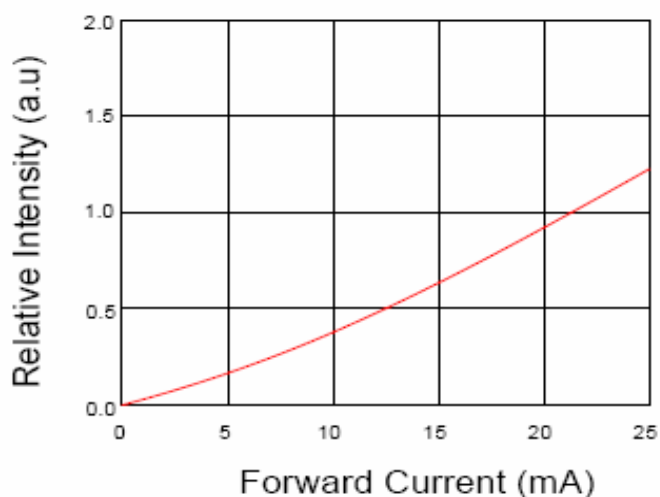
Relative Intensity VS. Ambient Temp



Forward Current VS. Ambient Temp



Forward Current VS. Relative Intensity



**Super Flux  
Cyan**

Part No.: **M13J9006**

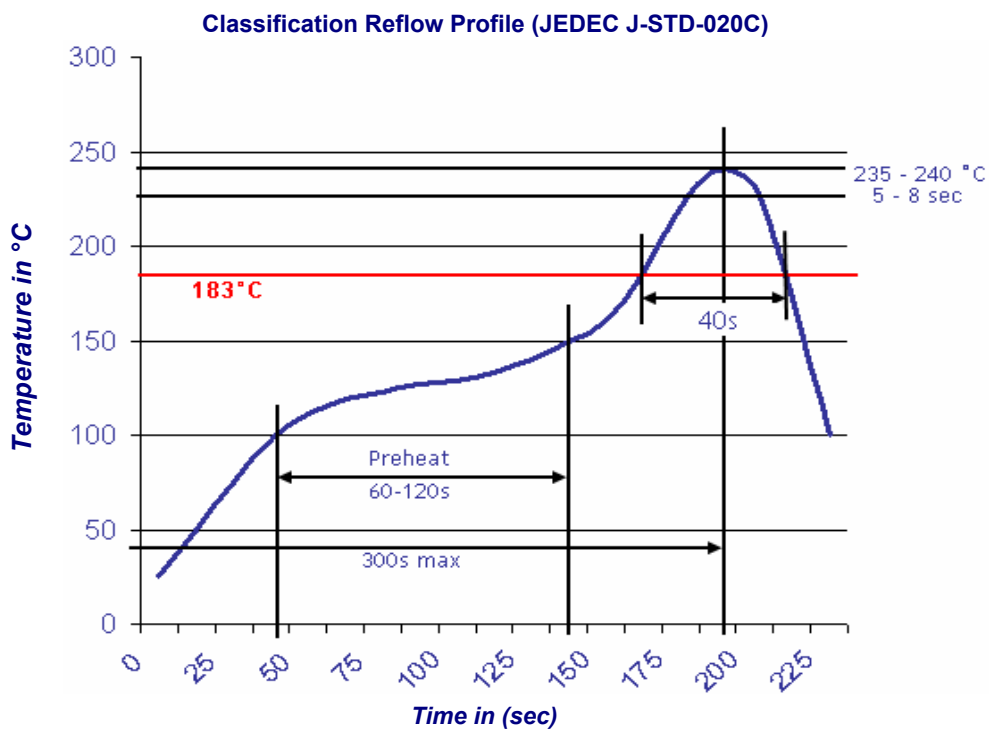
Customer:

DRW:	Dong	CHKD	Chang	MATL:	Chui	DATE	28.06.2010
APPD:	Ping			FINISH	Hui	Sheet	4 from 6



**Solder Condition**

**Lead Free Solder**

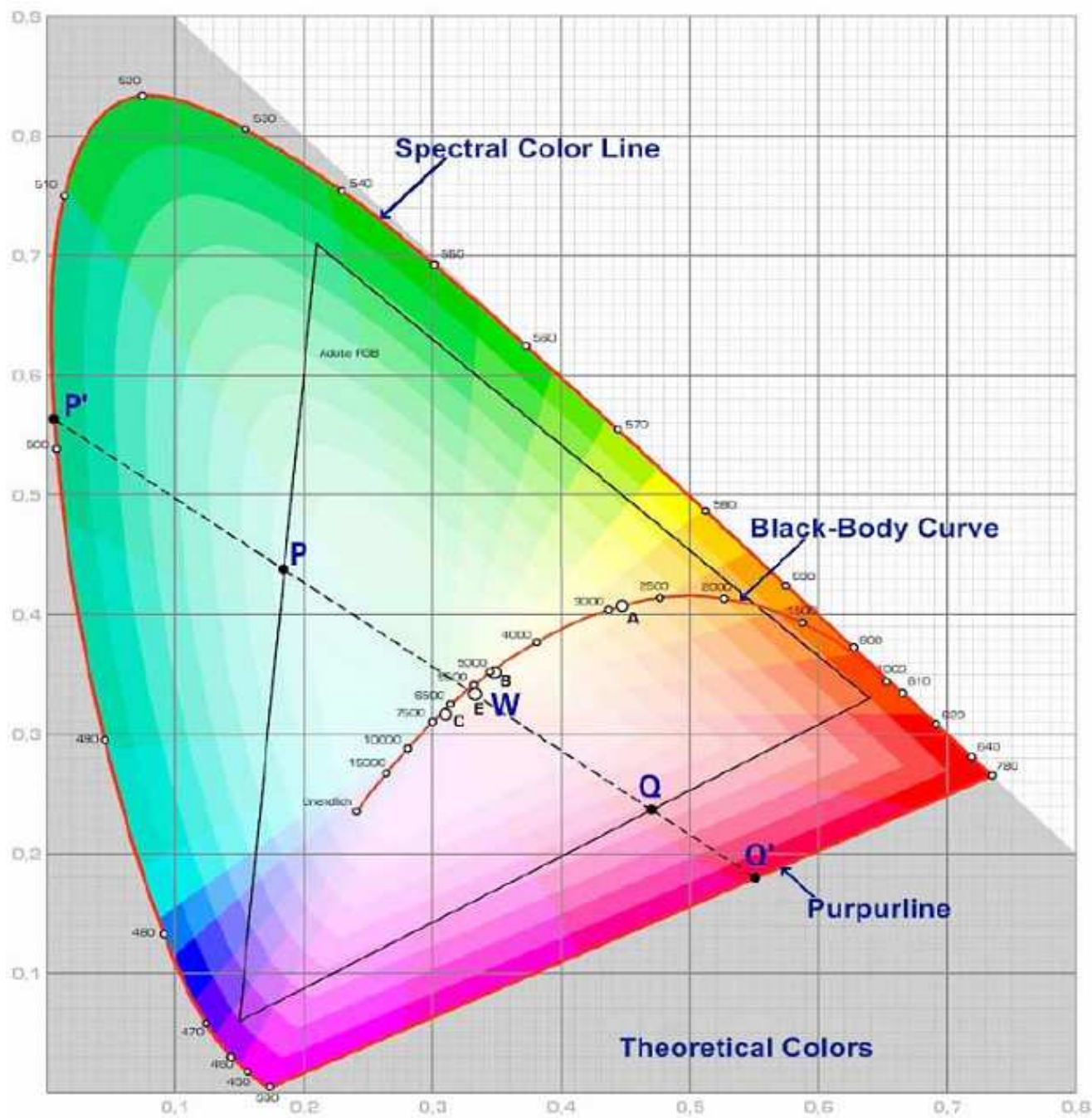


<b>Super Flux Cyan</b>	
Part No.:	<b>M13J9006</b>
Customer:	

DRW:	Dong	CHKD	Chang	MATL:	Chui	DATE	28.06.2010
APPD:	Ping			FINISH	Hui	Sheet	5 from 6



**Color table curve**



<b>Super Flux Cyan</b>	
Part No.:	<b>M13J9006</b>
Customer:	

DRW:	Dong	CHKD	Chang	MATL:	Chui	DATE	28.06.2010
APPD:	Ping			FINISH	Hui	Sheet	6 from 6

Copyright by EDCON-COMPONENTS