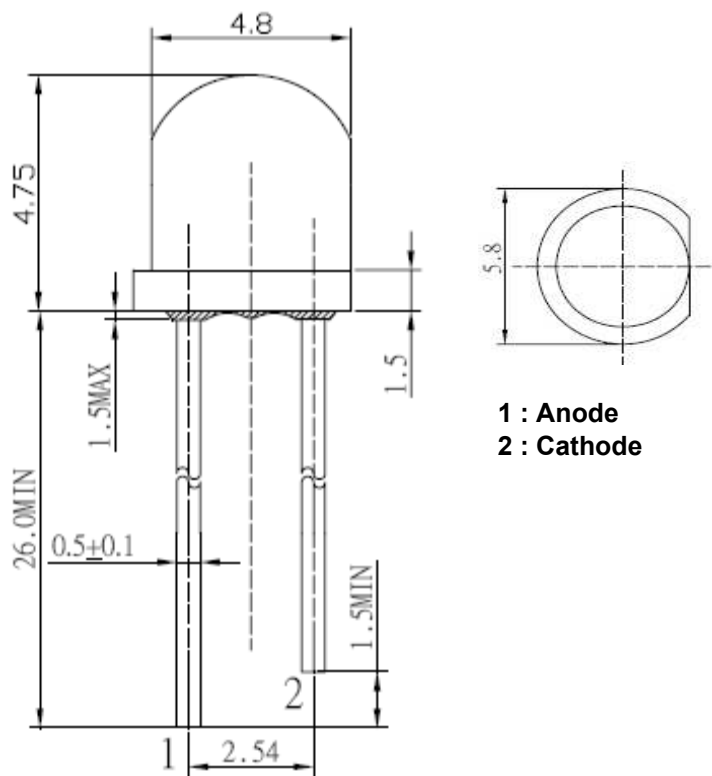




**Applications**

- Electronic Signs and Signals
- Small Area Illuminations
- Back Lighting
- Other Lighting

**Technical Drawing**



1 : Anode  
 2 : Cathode

**Notes :**

All dimensions in mm tolerance is  $\pm 0.1\text{mm}$  unless otherwise noted.

<b>Straw LED Green</b>	
Part No.:	<b>M13A4013</b>
Customer:	

DRW:	Dong	CHKD	Chang	MATL:	Chui	DATE	28.06.2010
APPD:	Ping			FINISH	Hui	Sheet	1 from 6



**Absolute Maximum Ratings**

Item	Symbol	AlGaInP	Unit
Power Dissipation	$P_D$	140	mW
DC Forward Current	$I_F$	30	mA
Pulsed Forward Current	$I_{FP}^*$	100	mA
Reverse Voltage	$V_R$	5	V
Operating Temperature	$T_{OP}$	-40 to 80	°C
Storage Temperature	$T_{ST}$	-40 to 100	°C

\* 0.1 msec pulse, 10% duty cycle

**Electrical / Optical Characteristics**

<b>Emitting Color</b>	Green		
<b>Material</b>	AlGaInP		
<b>Forward Voltage</b>	typ.	1.9	$V_F$
	max.	2.3	$V_F$
<b>Wavelength typ.</b>	$\lambda_D$	565	nm
	$\lambda_P$	575	nm
	$\Delta\lambda$	---	nm
<b>Color Temperature</b>	min.	---	K
	max.	---	K
<b>Luminous Intensity *</b>	min.	200	mcd
	typ.	300	mcd
<b>Reverse Current</b>	max.	---	$\mu A$
<b>Viewing Angle</b>	$2\theta_{1/2}$	120	

\* Per NIST standards

**Straw LED  
Green**

Part No.: **M13A4013**

Customer:

DRW:	Dong	CHKD	Chang	MATL:	Chui	DATE	28.06.2010
APPD:	Ping			FINISH	Hui	Sheet	2 from 6



### Directive Characteristics

**Straw LED  
Green**

Part No.: **M13A4013**

Customer:

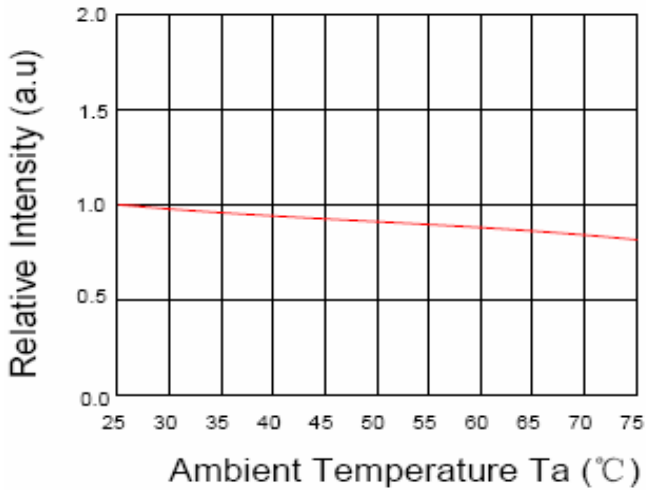
DRW:	Dong	CHKD	Chang	MATL:	Chui	DATE	28.06.2010
APPD:	Ping			FINISH	Hui	Sheet	3 from 6

Copyright by EDCON-COMPONENTS

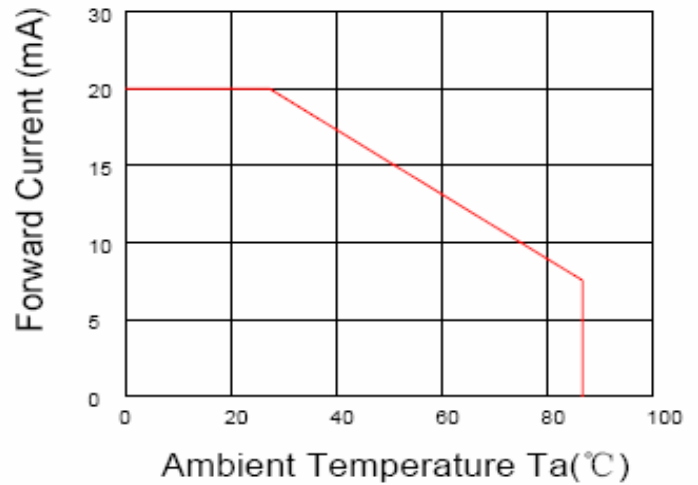


**Curve**

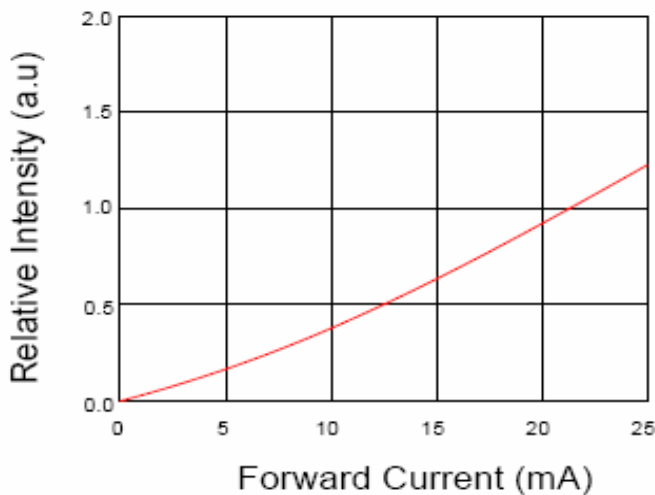
Relative Intensity VS. Ambient Temp



Forward Current VS. Ambient Temp



Forward Current VS. Relative Intensity



**Straw LED  
Green**

Part No.: **M13A4013**

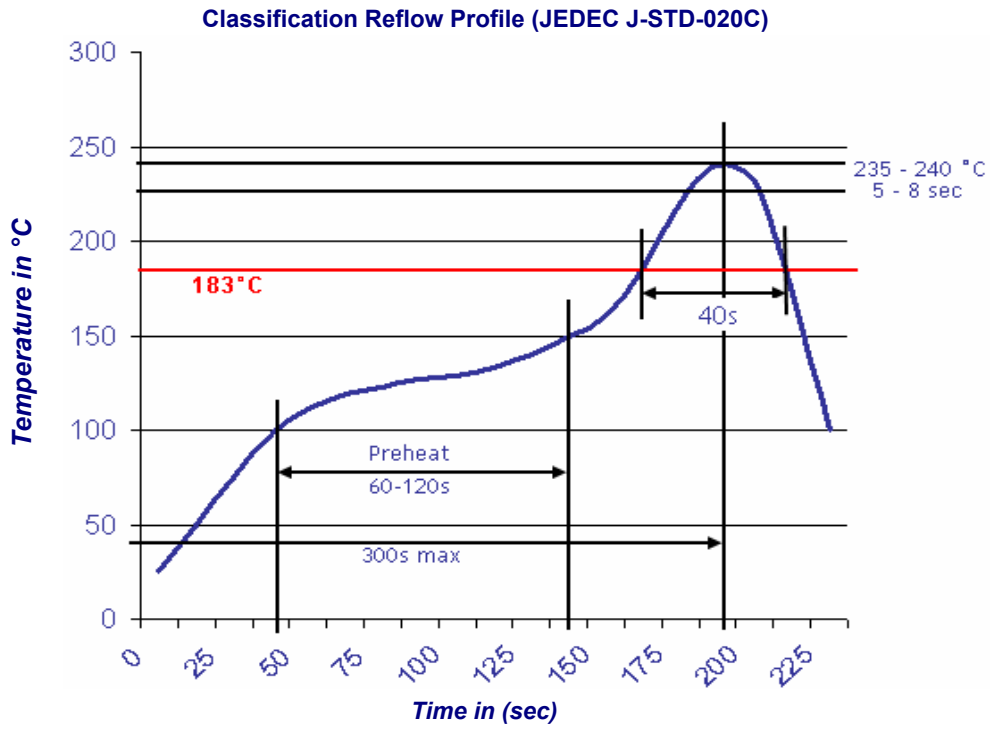
Customer:

DRW:	Dong	CHKD	Chang	MATL:	Chui	DATE	28.06.2010
APPD:	Ping			FINISH	Hui	Sheet	4 from 6



**Solder Condition**

**Lead Free Solder**



<b>Straw LED Green</b>	
Part No.:	<b>M13A4013</b>
Customer:	

DRW:	Dong	CHKD	Chang	MATL:	Chui	DATE	28.06.2010
APPD:	Ping			FINISH	Hui	Sheet	5 from 6



**Color table curve**



<b>Straw LED Green</b>	
Part No.:	<b>M13A4013</b>
Customer:	

DRW:	Dong	CHKD	Chang	MATL:	Chui	DATE	28.06.2010
APPD:	Ping			FINISH	Hui	Sheet	6 from 6

Copyright by EDCON-COMPONENTS