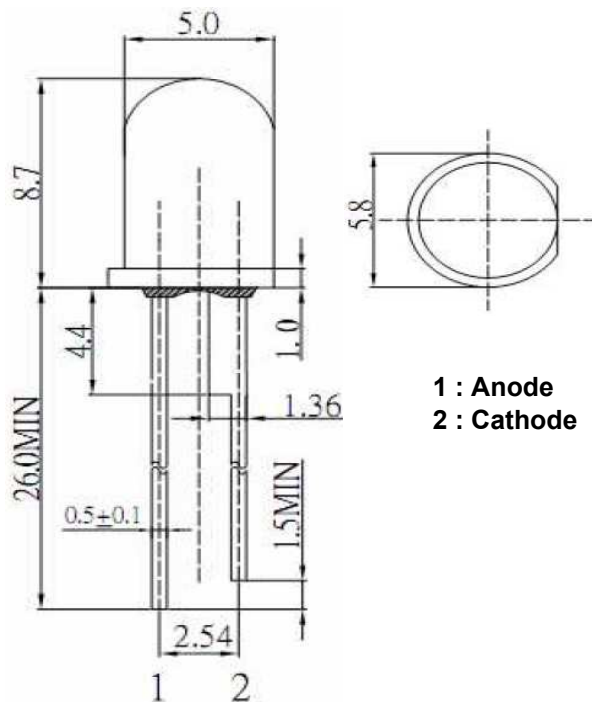




Applications

- Electronic Signs and Signals
- Small Area Illuminations
- Back Lighting
- Other Lighting

Technical Drawing



Notes :

All dimensions in mm tolerance is ± 0.1 mm unless otherwise noted.

| | |
|---------------------------------|-----------------|
| Round LED Blue | |
| Part No.: | M13A3088 |
| Customer: | |

| | | | | | | | |
|-------|------|------|-------|--------|------|-------|------------|
| DRW: | Dong | CHKD | Chang | MATL: | Chui | DATE | 28.06.2010 |
| APPD: | Ping | | | FINISH | Hui | Sheet | 1 from 6 |



Absolute Maximum Ratings

| Item | Symbol | InGaN | Unit |
|------------------------|-------------------|------------|------|
| Power Dissipation | P _D | 140 | mW |
| DC Forward Current | I _F | 30 | mA |
| Pulsed Forward Current | I _{FP} * | 70 | mA |
| Reverse Voltage | V _R | 5 | V |
| Operating Temperature | T _{OP} | -40 to 80 | °C |
| Storage Temperature | T _{ST} | -40 to 100 | °C |

* 0.1 msec pulse, 10% duty cycle

Electrical / Optical Characteristics

| Ermitting Color | Blue | | |
|----------------------|-------------------|---------|----------------|
| Material | InGaN | | |
| Forward Voltage | typ. | 2.9 | V _F |
| | max. | 3.5 | V _F |
| Wavelength typ. | λ _D | 460 | nm |
| | λ _P | 470 | nm |
| | Δλ | --- | nm |
| Color Temperature | min. | --- | K |
| | max. | --- | K |
| Luminous Intensity * | min. | 2700 | mcd |
| | typ. | 3500 | mcd |
| Reverse Current | max. | --- | μA |
| Viewing Angle | 2θ _{1/2} | 40 ~ 60 | |

* Per NIST standards

| | |
|---------------------------|-----------------|
| Round LED Blue | |
| Part No.: | M13A3088 |
| Customer: | |

| | | | | | | | |
|-------|------|------|-------|--------|------|-------|------------|
| DRW: | Dong | CHKD | Chang | MATL: | Chui | DATE | 28.06.2010 |
| APPD: | Ping | | | FINISH | Hui | Sheet | 2 from 6 |



Directive Characteristics

**Round LED
Blue**

Part No.: **M13A3088**

Customer:

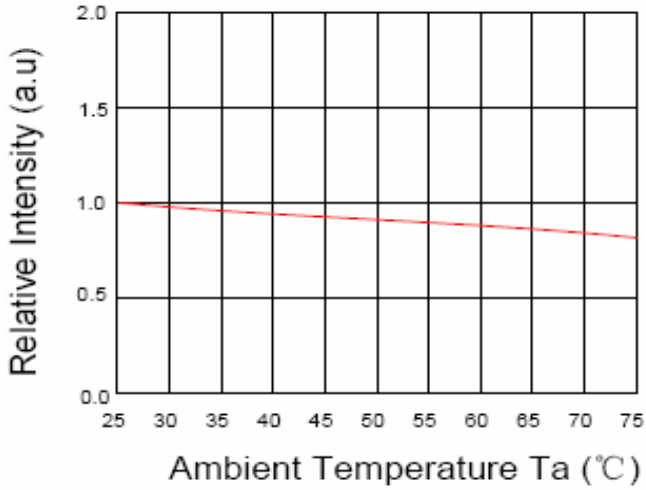
| | | | | | | | |
|-------|------|------|-------|--------|------|-------|------------|
| DRW: | Dong | CHKD | Chang | MATL: | Chui | DATE | 28.06.2010 |
| APPD: | Ping | | | FINISH | Hui | Sheet | 3 from 6 |

Copyright by EDCON-COMPONENTS

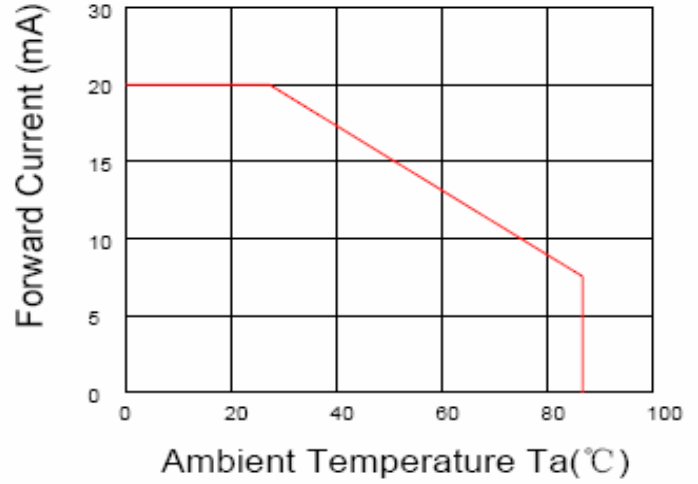


Curve

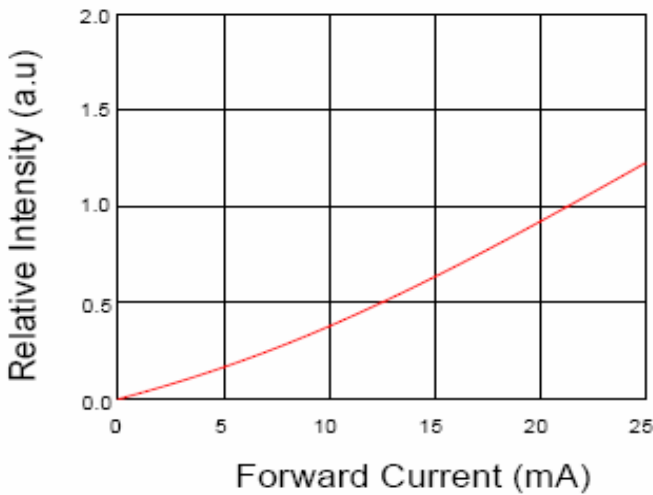
Relative Intensity VS. Ambient Temp



Forward Current VS. Ambient Temp



Forward Current VS. Relative Intensity



Round LED
Blue

Part No.: **M13A3088**

Customer:

| | | | | | | | |
|-------|------|------|-------|--------|------|-------|------------|
| DRW: | Dong | CHKD | Chang | MATL: | Chui | DATE | 28.06.2010 |
| APPD: | Ping | | | FINISH | Hui | Sheet | 4 from 6 |



Solder Condition

Lead Free Solder

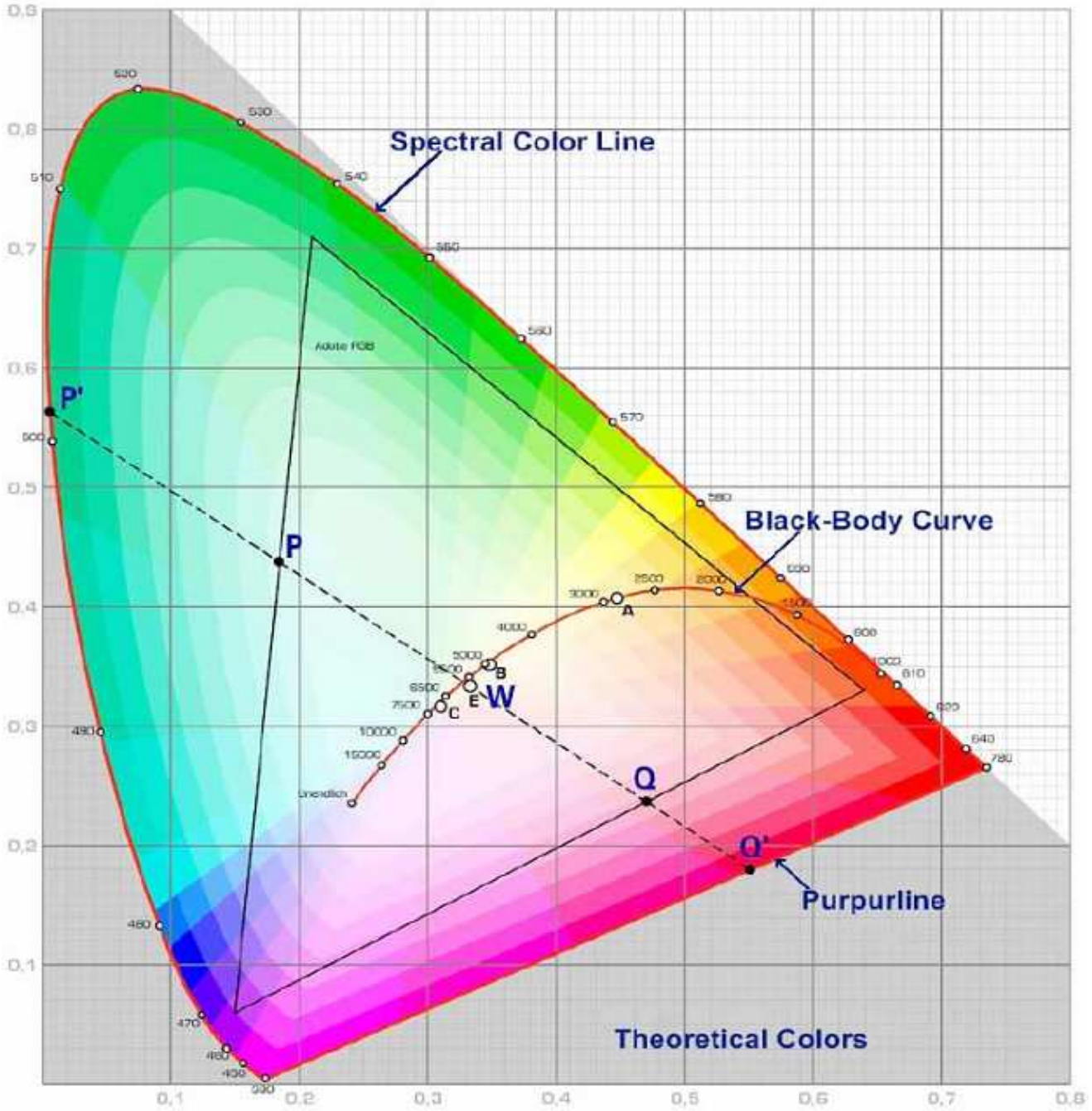


| | |
|---------------------------|-----------------|
| Round LED Blue | |
| Part No.: | M13A3088 |
| Customer: | |

| | | | | | | | |
|-------|------|------|-------|--------|------|-------|------------|
| DRW: | Dong | CHKD | Chang | MATL: | Chui | DATE | 28.06.2010 |
| APPD: | Ping | | | FINISH | Hui | Sheet | 5 from 6 |



Color table curve



| | |
|---------------------------|-----------------|
| Round LED Blue | |
| Part No.: | M13A3088 |
| Customer: | |

| | | | | | | | |
|-------|------|------|-------|--------|------|-------|------------|
| DRW: | Dong | CHKD | Chang | MATL: | Chui | DATE | 28.06.2010 |
| APPD: | Ping | | | FINISH | Hui | Sheet | 6 from 6 |

Copyright by EDCON-COMPONENTS