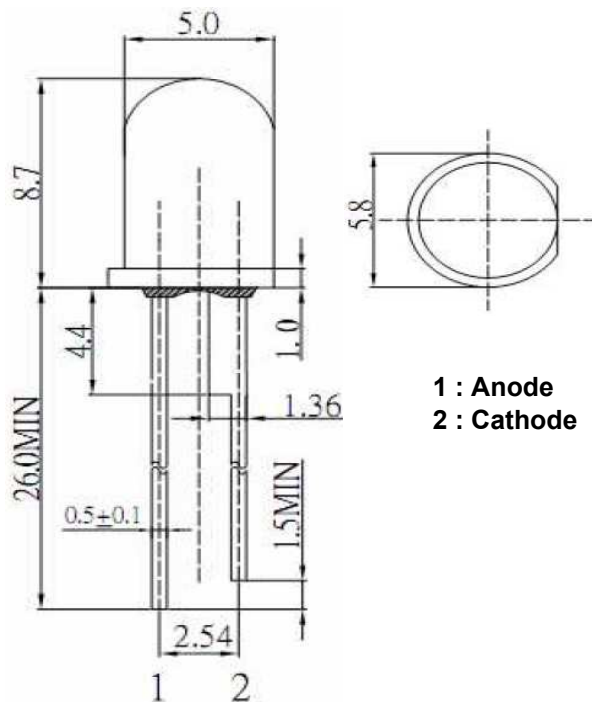




Applications

- Electronic Signs and Signals
- Small Area Illuminations
- Back Lighting
- Other Lighting

Technical Drawing



1 : Anode
 2 : Cathode

Notes :

All dimensions in mm tolerance is ± 0.1 mm unless otherwise noted.

| | |
|----------------------------|-----------------|
| Round LED Green | |
| Part No.: | M13A3042 |
| Customer: | |

| | | | | | | | |
|-------|------|------|-------|--------|------|-------|------------|
| DRW: | Dong | CHKD | Chang | MATL: | Chui | DATE | 28.06.2010 |
| APPD: | Ping | | | FINISH | Hui | Sheet | 1 from 6 |



Absolute Maximum Ratings

| <i>Item</i> | <i>Symbol</i> | <i>AlGaInP</i> | <i>Unit</i> |
|------------------------|-------------------|----------------|-------------|
| Power Dissipation | P _D | 140 | mW |
| DC Forward Current | I _F | 30 | mA |
| Pulsed Forward Current | I _{FP} * | 100 | mA |
| Reverse Voltage | V _R | 5 | V |
| Operating Temperature | T _{OP} | -40 to 80 | °C |
| Storage Temperature | T _{ST} | -40 to 100 | °C |

* 0.1 msec pulse, 10% duty cycle

Electrical / Optical Characteristics

| Emitting Color | Green | | |
|-----------------------------|-------------------|------|----------------|
| Material | AlGaInP | | |
| Forward Voltage | typ. | 1.9 | V _F |
| | max. | 2.3 | V _F |
| Wavelength typ. | λ _D | 565 | nm |
| | λ _P | 575 | nm |
| | Δλ | --- | nm |
| Color Temperature | min. | --- | K |
| | max. | --- | K |
| Luminous Intensity * | min. | 1000 | mcd |
| | typ. | 2000 | mcd |
| Reverse Current | max. | --- | μA |
| Viewing Angle | 2Θ _{1/2} | 15 | |

* Per NIST standards

Round LED
Green

Part No.: **M13A3042**

Customer:

| | | | | | | | |
|-------|------|------|-------|--------|------|-------|------------|
| DRW: | Dong | CHKD | Chang | MATL: | Chui | DATE | 28.06.2010 |
| APPD: | Ping | | | FINISH | Hui | Sheet | 2 from 6 |



Directive Characteristics

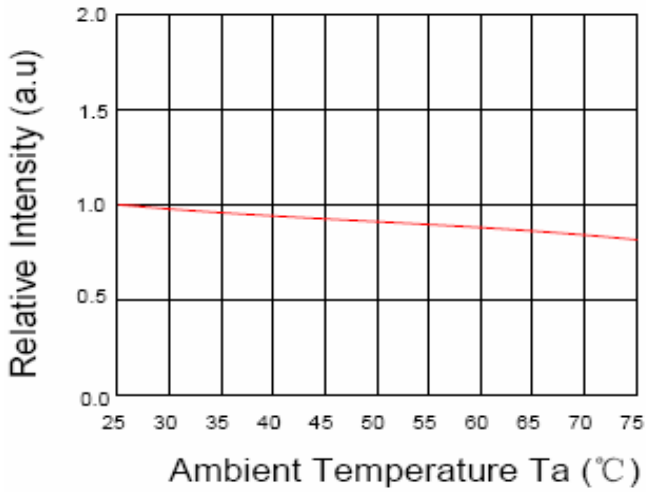
| | |
|----------------------------|-----------------|
| Round LED Green | |
| Part No.: | M13A3042 |
| Customer: | |

| | | | | | | | |
|-------|------|------|-------|--------|------|-------|------------|
| DRW: | Dong | CHKD | Chang | MATL: | Chui | DATE | 28.06.2010 |
| APPD: | Ping | | | FINISH | Hui | Sheet | 3 from 6 |

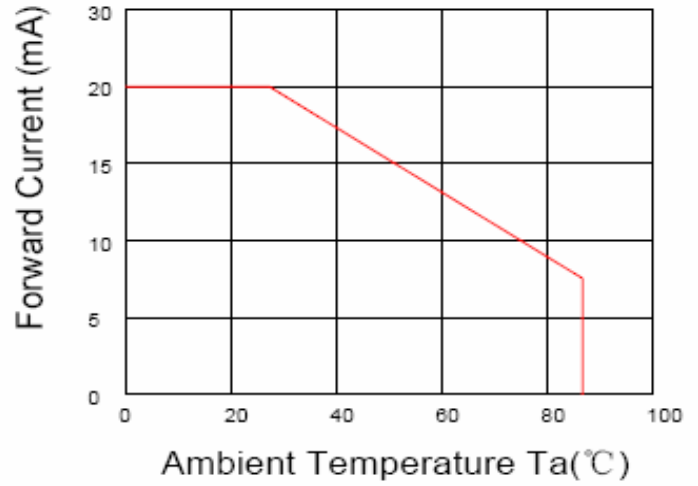


Curve

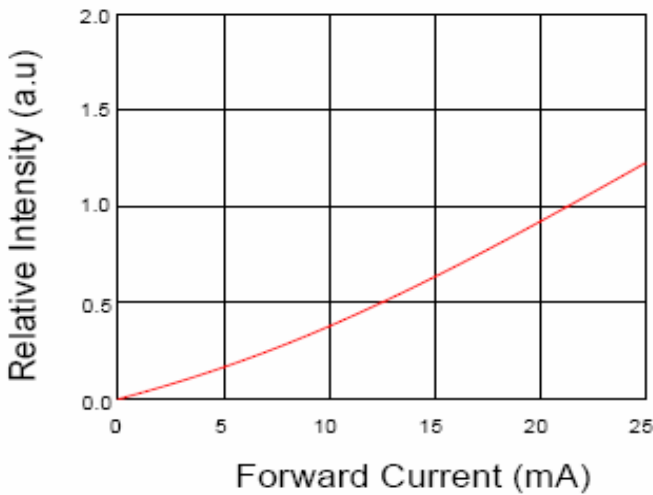
Relative Intensity VS. Ambient Temp



Forward Current VS. Ambient Temp



Forward Current VS. Relative Intensity



**Round LED
Green**

Part No.: **M13A3042**

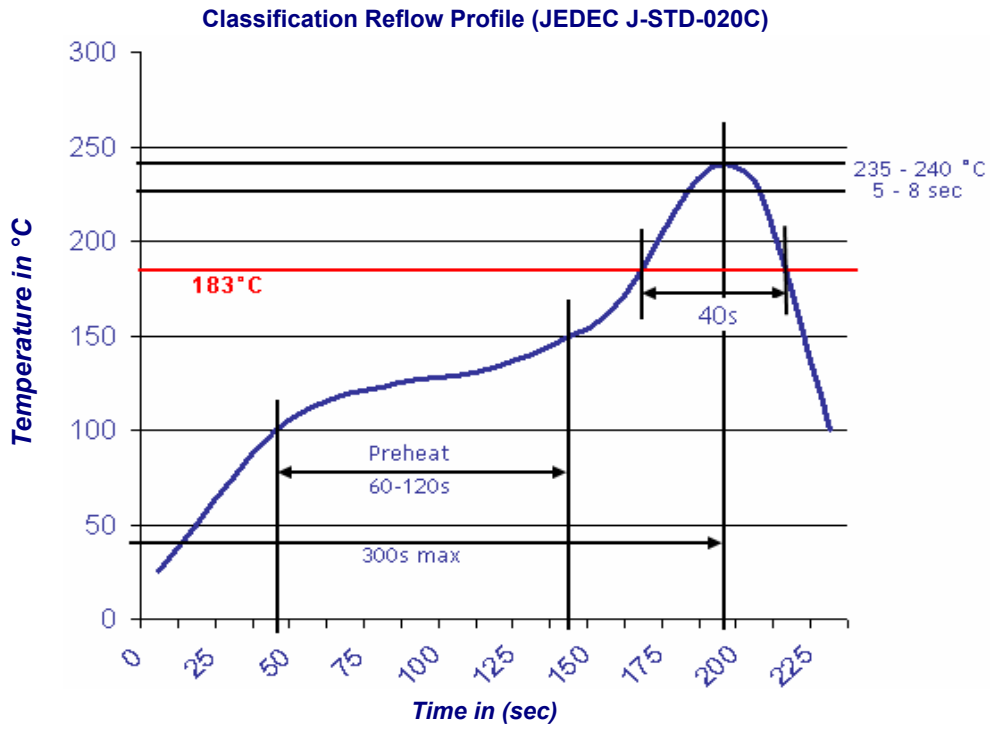
Customer:

| | | | | | | | |
|-------|------|------|-------|--------|------|-------|------------|
| DRW: | Dong | CHKD | Chang | MATL: | Chui | DATE | 28.06.2010 |
| APPD: | Ping | | | FINISH | Hui | Sheet | 4 from 6 |



Solder Condition

Lead Free Solder

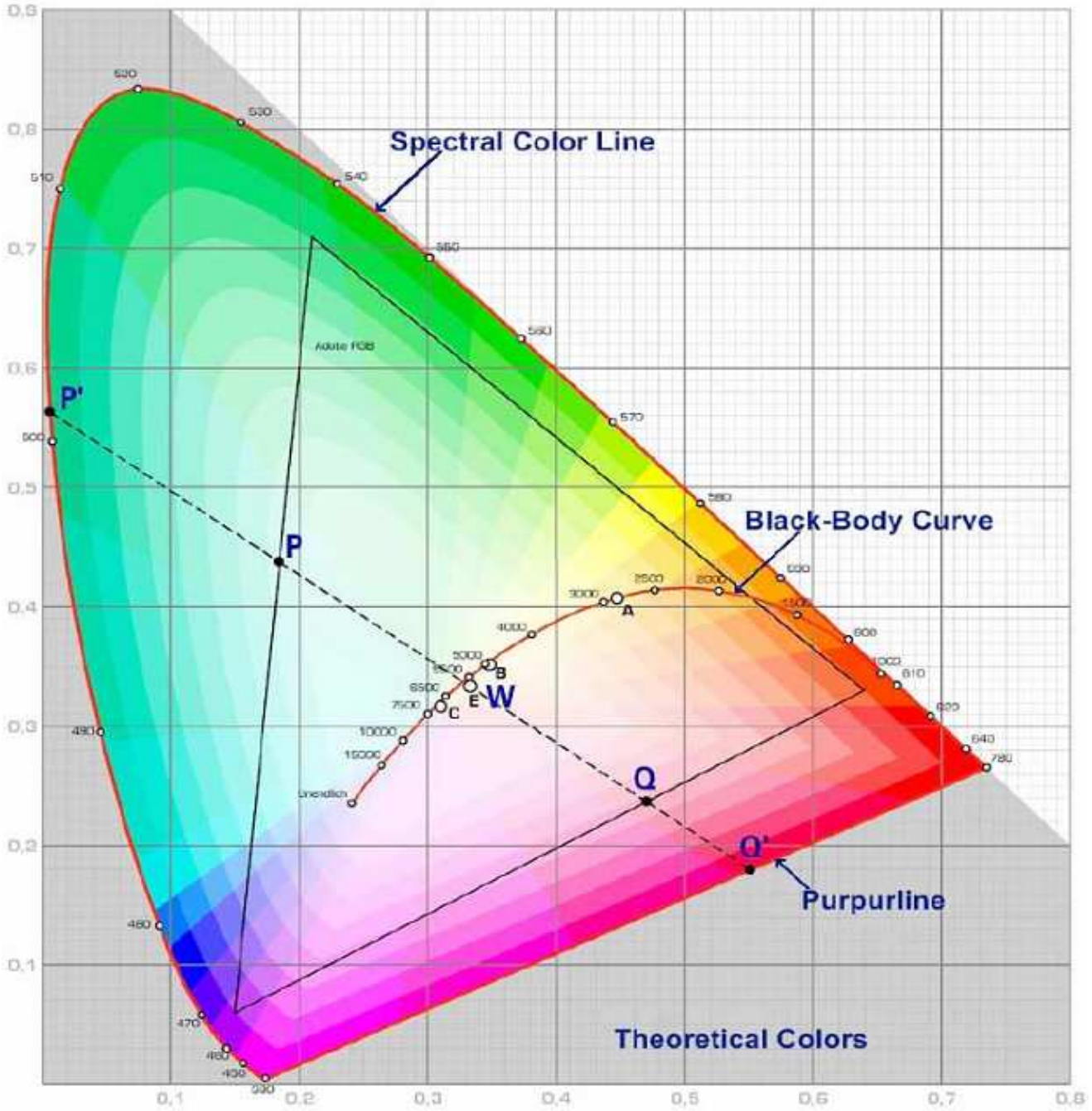


| | |
|----------------------------|-----------------|
| Round LED Green | |
| Part No.: | M13A3042 |
| Customer: | |

| | | | | | | | |
|-------|------|------|-------|--------|------|-------|------------|
| DRW: | Dong | CHKD | Chang | MATL: | Chui | DATE | 28.06.2010 |
| APPD: | Ping | | | FINISH | Hui | Sheet | 5 from 6 |



Color table curve



| | |
|----------------------------|-----------------|
| Round LED Green | |
| Part No.: | M13A3042 |
| Customer: | |

| | | | | | | | |
|-------|------|------|-------|--------|------|-------|------------|
| DRW: | Dong | CHKD | Chang | MATL: | Chui | DATE | 28.06.2010 |
| APPD: | Ping | | | FINISH | Hui | Sheet | 6 from 6 |

Copyright by EDCON-COMPONENTS