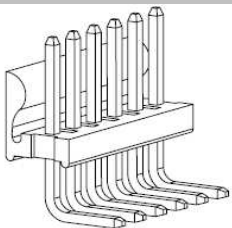


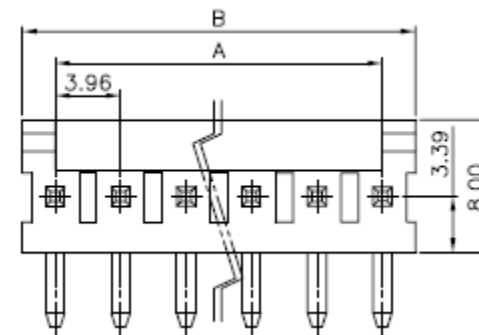
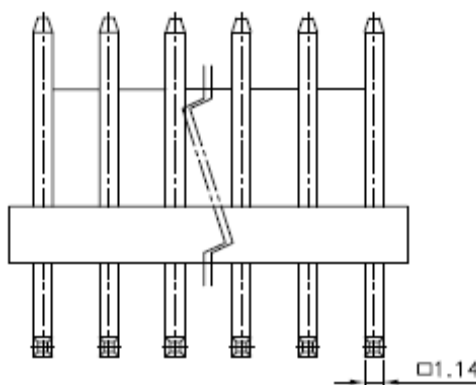
# EDCON-COMPONENTS



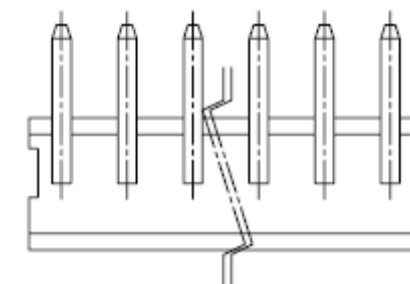
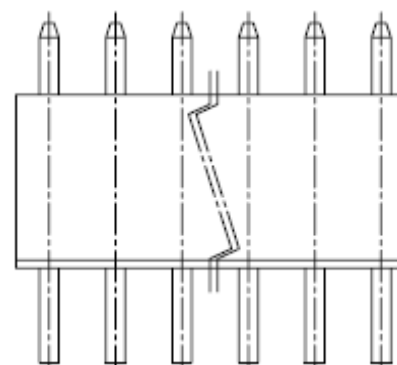
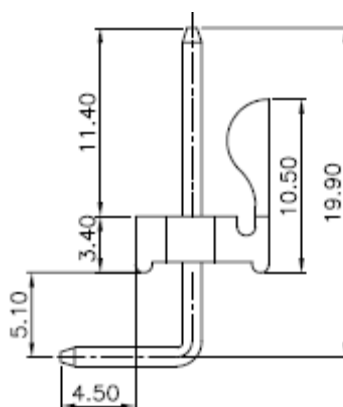
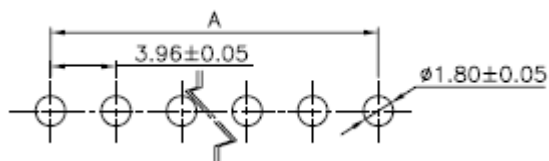
## Specifications

Voltage Rating:	250VAC /DC
Current Rating	4,0AC / DC
Operating Temperature	-40°C ~ +130°C
Contact Resistance	20m Ω Max.
Withstanding Voltage	1000V AC/minute
Insulation Resistance	1000M Ω Min.
Material Insulator:	Nylon 66 UL94V-0 White
Material Pin	Brass
Pin Plating:	Brass; Tin Plated

## Drawing ( dimensions all into mm)



## PCB Layout



**Wire to Board Pitch 3,96mm  
Alternative to Serie MASCONN**

Part No.: **T68J003**

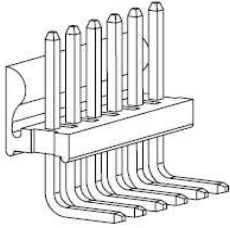
DRW:	Jason	CHKD	Wilson	MATL:	Wilson	TOLERANCE	Mason	DATE	02.04.2009
APPD:	Schumi			FINISH	Jamy		Sheet No.	1 from 4	Customer:

[www.edcon-components.com](http://www.edcon-components.com)

email: [info@edcon-components.com](mailto:info@edcon-components.com)



# EDCON-COMPONENTS



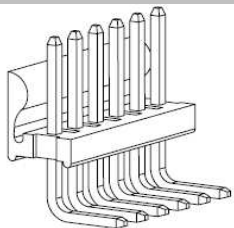
## Ordering Informations

Serie	Positions	Body Color	C- Plating	ROHS	Packing					
<b>T68J003</b>	<b>02</b>	<b>WH</b>	<b>TN</b>	<b>R</b>	<b>BU</b>					

Look Table	<b>WH=</b> White (Standard)	<b>TN=</b> Tin Plated	<b>R=</b> ROHS Conform	<b>BU=</b> Bulk (Standard)
	<b>BK=</b> Black (MOQ)		<b>N=</b> NON ROHS Conform	

<b>Wire to Board Pitch 3,96mm Alternative to Serie MASCONN</b>	
Part No.:	<b>T68J003</b>
Customer:	

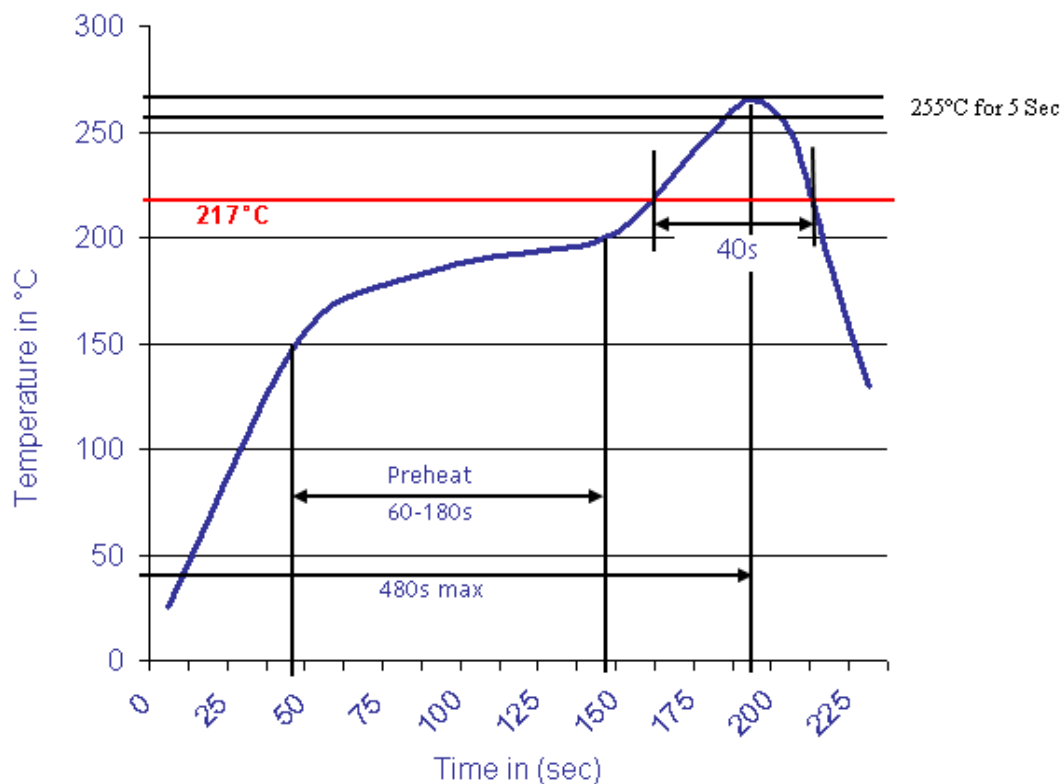
DRW:	Jason	CHKD	Wilson	MATL:	Wilson	TOLERANCE	Mason	DATE	02.04.2009
APPD:	Schumi			FINISH	Jamy		Sheet No.		3 from 4



Soldering Profile

Lead Free Curve

Classification Reflow Profile (JEDEC J-STD-020C)



Wire to Board Pitch 3,96mm  
Alternative to Serie MASCONN

Part No.: **T68J003**

DRW:	Jason	CHKD	Wilson	MATL:	Wilson	TOLERANCE	Mason	DATE	02.04.2009
APPD:	Schumi			FINISH	Jamy		Sheet No.	4 from 4	Customer: