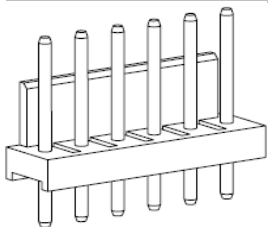


# EDCON-COMPONENTS

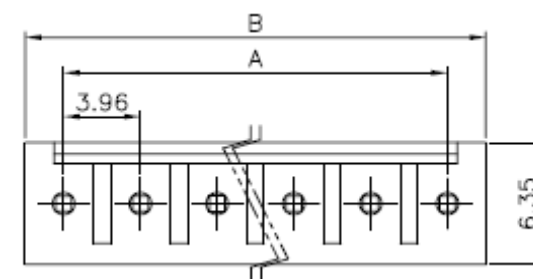
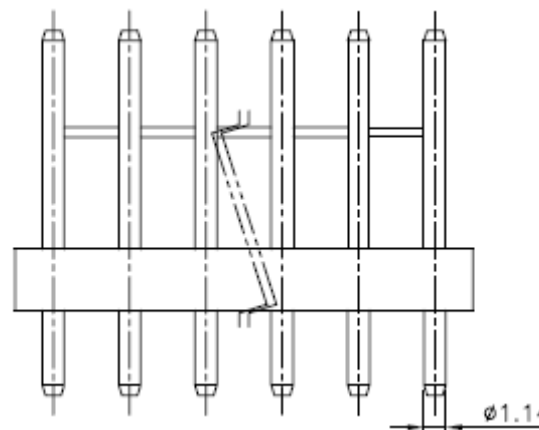


## Specifications

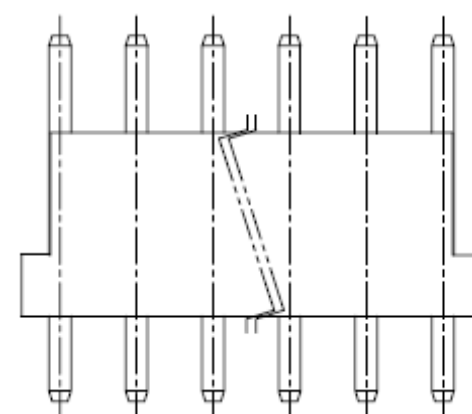
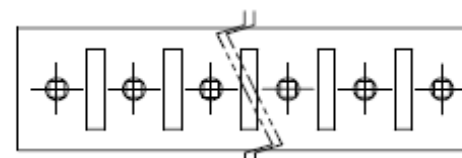
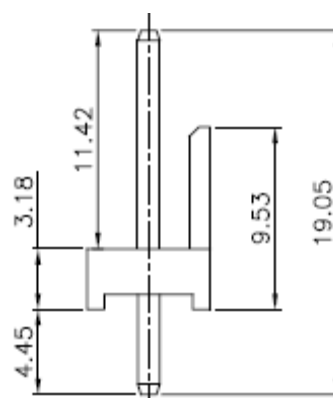
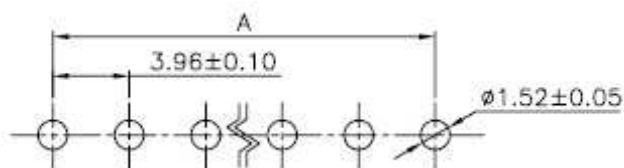
Voltage Rating: 250VAC /DC  
 Current Rating 4,0AC / DC  
 Operating Temperature . -40°C ~ +130°C  
 Contact Resistance 20m Ω Max.  
 Withstanding Voltage 1000V AC/minute  
 Insulation Resistance 1000M Ω Min.

Material Insulator: Nylon 66 UL94V-0 White  
 Material Pin Brass  
 Pin Plating: Brass; Tin Plated

## Drawing ( dimensions all into mm)



## PCB Layout



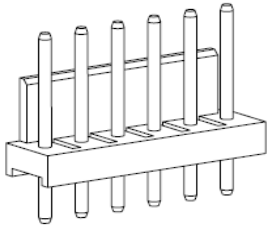
**Wire to Board Pitch 3,96mm  
 Alternative to Serie MASCONN**

Part No.: **T68J002**  
 Customer:

DRW:	Jason	CHKD	Wilson	MATL:	Wilson	TOLERANCE	Mason	DATE	02.04.2009
APPD:	Schumi			FINISH	Jamy		Sheet No.		1 from 4



# EDCON-COMPONENTS



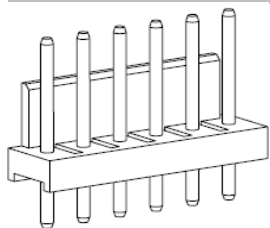
## Ordering Informations

Serie	Positions	Body Color	C- Plating	ROHS	Packing					
<b>T68J002</b>	<b>02</b>	<b>WH</b>	<b>TN</b>	<b>R</b>	<b>BU</b>					

Look Table	<b>WH=</b> White (Standard)	<b>TN=</b> Tin Plated	<b>R=</b> ROHS Conform	<b>BU=</b> Bulk (Standard)
	<b>BK=</b> Black (MOQ)		<b>N=</b> NON ROHS Conform	

<b>Wire to Board Pitch 3,96mm Alternative to Serie MASCONN</b>	
Part No.:	<b>T68J002</b>
Customer:	

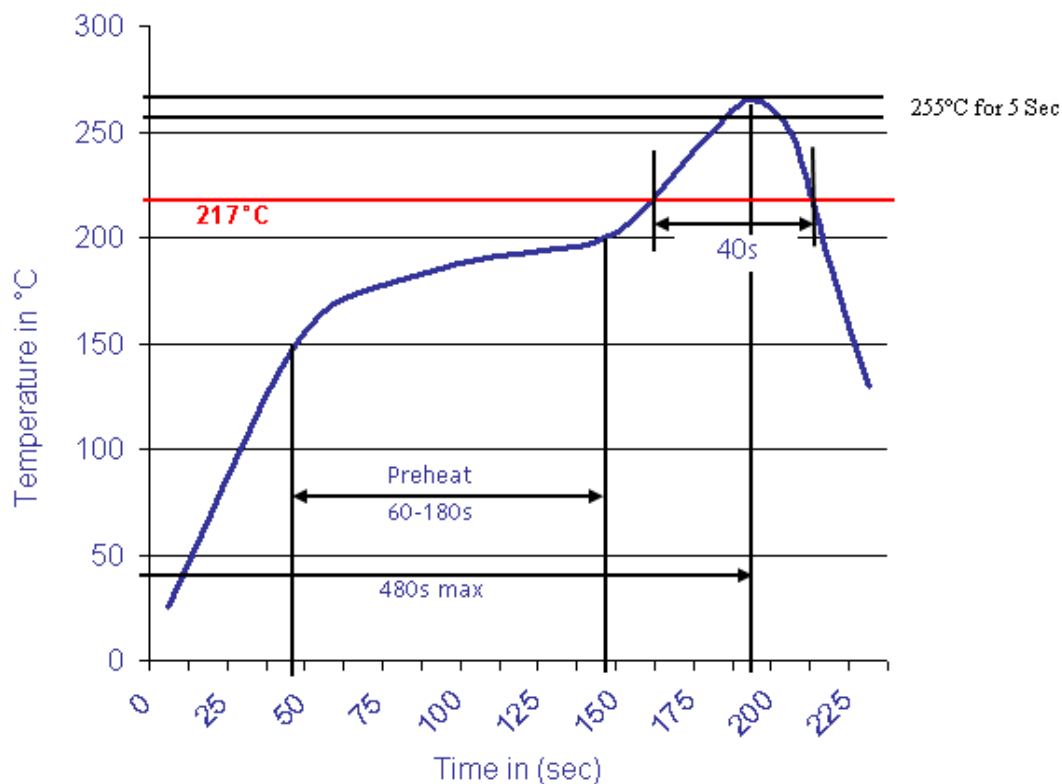
DRW:	Jason	CHKD	Wilson	MATL:	Wilson	TOLERANCE	Mason	DATE	02.04.2009
APPD:	Schumi			FINISH	Jamy		Sheet No.		3 from 4



Soldering Profile

Lead Free Curve

Classification Reflow Profile (JEDEC J-STD-020C)



Wire to Board Pitch 3,96mm  
Alternative to Serie MASCONN

Part No.: **T68J002**

DRW:	Jason	CHKD	Wilson	MATL:	Wilson	TOLERANCE	Mason	DATE	02.04.2009
APPD:	Schumi			FINISH	Jamy		Sheet No.	4 from 4	Customer: