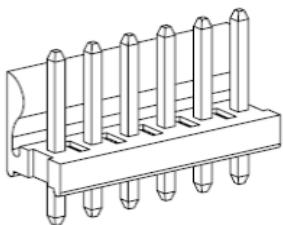


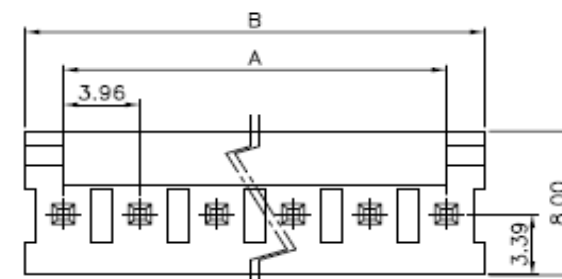
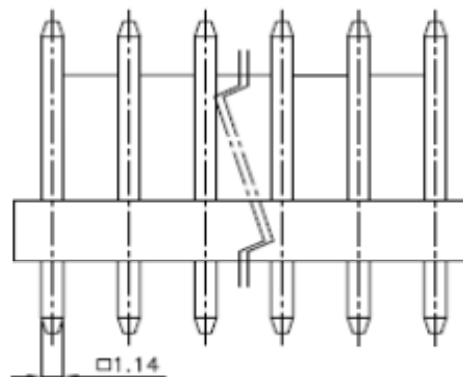
EDCON-COMPONENTS



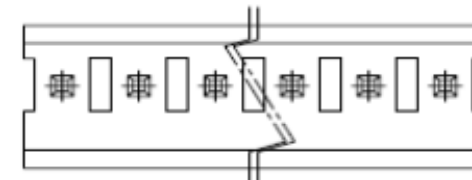
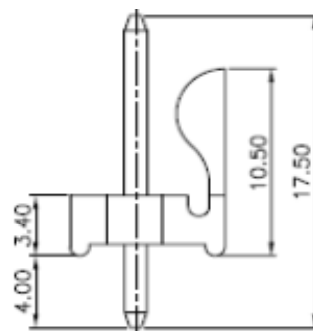
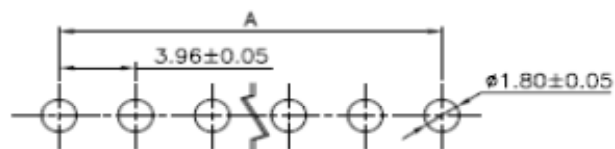
Specifications

Voltage Rating:	250VAC /DC
Current Rating	7,0AC / DC
Operating Temperature	. -40°C ~ +105°C
Contact Resistance	20m Ω Max.
Withstanding Voltage	1000V AC/minute
Insulation Resistance	1000M Ω Min.
Material Insulator:	Nylon 66 UL94V-0 White
Material Pin	Brass
Pin Plating:	Brass; Tin Plated

Drawing (dimensions all into mm)



PCB Layout

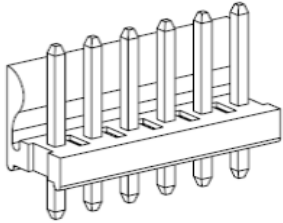


**Wire to Board Pitch 3,96mm
Alternative to Serie MLSS156**

Part No.: **T68J001 -**

DRW:	Jason	CHKD	Wilson	MATL:	Wilson	TOLERANCE	Mason	DATE	09.01.2020	Customer:
APPD:	Schumi			FINISH	Jamy		Sheet No.	1 from 4		

EDCON-COMPONENTS



Dimension Informations about Wafer

Pos.	Dimension (mm)					
	A	B				
02	3,96	7,92				
03	7,92	11,88				
04	11,88	15,84				
05	15,84	19,80				
06	19,80	23,76				
07	23,76	27,72				
08	27,72	31,68				
09	31,68	35,64				
10	35,64	39,60				
11	39,60	43,56				
12	43,56	47,52				
13	47,52	51,48				
14	51,48	55,44				
15	55,44	59,40				
16	59,40	63,36				
17	63,36	67,32				
18	67,32	71,28				
19	71,28	75,24				
20	75,24	79,20				
21	79,20	83,16				
22	83,16	87,12				
23	87,12	91,08				
24	91,08	95,04				

Pos.	Dimension (mm)					
	A	B				

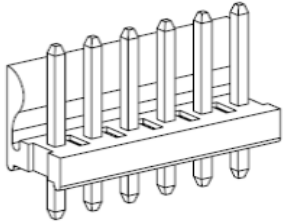
**Wire to Board Pitch 3,96mm
Alternative to Serie MLSS156**

Part No.: **T68J001 -**

Customer:

DRW:	Jason	CHKD	Wilson	MATL:	Wilson	TOLERANCE	Mason	DATE	09.01.2020
APPD:	Schumi			FINISH	Jamy		Sheet No.	2 from 4	

EDCON-COMPONENTS



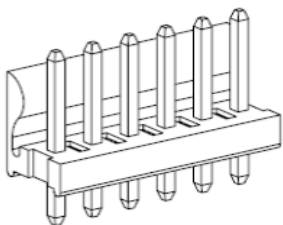
Ordering Informations

Serie	Positions	Body Color	C- Plating	ROHS	Packing					
T68J001 -	02	WH	TN	R	BU					

Look Table	WH= White (Standard)	TN= Tin Plated	R= ROHS Conform	BU= Bulk (Standard)
	BK= Black (MOQ)		N= NON ROHS Conform	

Wire to Board Pitch 3,96mm Alternative to Serie MLSS156
Part No.: T68J001 -
Customer:

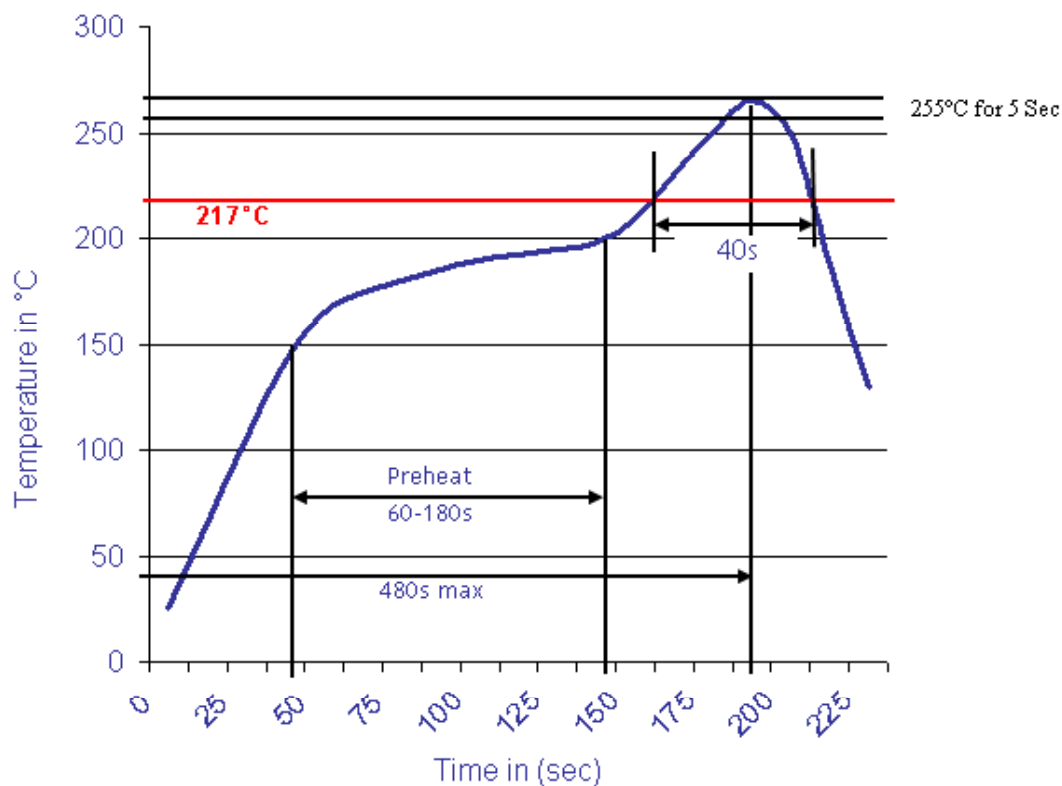
DRW:	Jason	CHKD	Wilson	MATL:	Wilson	TOLERANCE	Mason	DATE	09.01.2020
APPD:	Schumi			FINISH	Jamy		Sheet No.		3 from 4



Soldering Profile

Lead Free Curve

Classification Reflow Profile (JEDEC J-STD-020C)



Wire to Board Pitch 3,96mm	
Alternative to Serie MLSS156	
Part No.:	T68J001 -
Customer:	

DRW:	Jason	CHKD	Wilson	MATL:	Wilson	TOLERANCE	Mason	DATE	09.01.2020
APPD:	Schumi			FINISH	Jamy		Sheet No.		4 from 4