

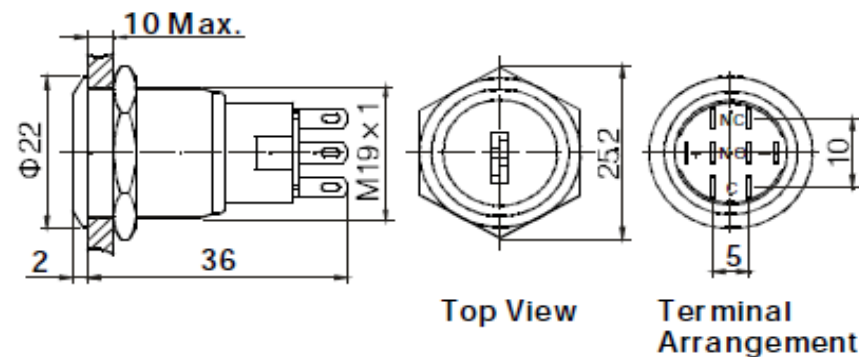
EDCON-COMPONENTS



Specifications

Switch Rating:	Ith=5A Ui=250VAC
Contact Configuration:	1NO1NC / 2NO2NC
Operating Type:	look order code
IP-Degree:	IP67
Crust Material:	Stainless Steel
Terminal Type:	Pin Terminal (2,8x0,5mm)
Switching:	Two/Three Position Remain
Contact Resistance:	≤ 50mΩ
Insulation Resistance:	≥ 1000MΩ
Dielectric Strength:	2000VAC
Operating Temperature:	. -20°C ~ +55°C
Mechanical Life:	500.000 cycles
Electrical Life:	50.000 cycles
Panel Thickness:	1 ~ 10mm
Torque:	5 ~ 14Nm

Drawing



Material

Contact:	Silver Alloy
Button:	Stainless Steel
Body:	Stainless Steel
Base:	PBT
ROHS:	Made to Order-Code

19MM Anti-Vandal-Switch

Part No.: **Q36030**

DRW:	Jason	CHKD	Wilson	MATL:	Wilson	TOLERANCE	Mason	DATE	20.08.2009	Customer:
APPD:	Schumi			FINISH	Jamy		Sheet No.	1 from 3		

EDCON-COMPONENTS



Operating Position & Contact Operation

Position	Contact	left	Center	Right	
90° two position	1NO1NC		/		
	2NO2NC	 Left Contact		 Right Contact	 Left Contact
45° three position	2NO2NC	 Left Contact	 Right Contact	 Left Contact	 Right Contact

19MM Anti-Vandal-Switch

Part No.: **Q36030**

DRW:	Jason	CHKD	Wilson	MATL:	Wilson	TOLERANCE	Mason	DATE	20.08.2009
APPD:	Schumi			FINISH	Jamy		Sheet No.	2 from 3	

Customer: email: info@edcon-components.com

www.edcon-components.com

EDCON-COMPONENTS



Ordering Informations

Serie	Front Shape	Contact Structure	Lamp Type	Connect Type	Lamp Color	Lamp Voltage	Crust Material	Engraving Options	Operating Type	ROHS	Packing Style
Q36030	Y	11	N	3	A	0	S	N	2	R	N

Y= Key	11= 1NO1NC 22= 2NO2NC	N= no Function	3= Pin Terminal	A= No Function	0= without	S= Stainless Steel	N= no Function	2= 90° Two Position 3= 45° Three Position	R= ROHS Conform N= NON ROHS Conform	N= White Carton I= Individual Packing
---------------	--	-----------------------	------------------------	-----------------------	-------------------	---------------------------	-----------------------	--	--	--

19MM Anti-Vandal-Switch

Part No.: **Q36030**

DRW:	Jason	CHKD	Wilson	MATL:	Wilson	TOLERANCE	Mason	DATE	20.08.2009	Customer:
APPD:	Schumi			FINISH	Jamy		Sheet No.	3 from 3		

www.edcon-components.com

email: info@edcon-components.com