

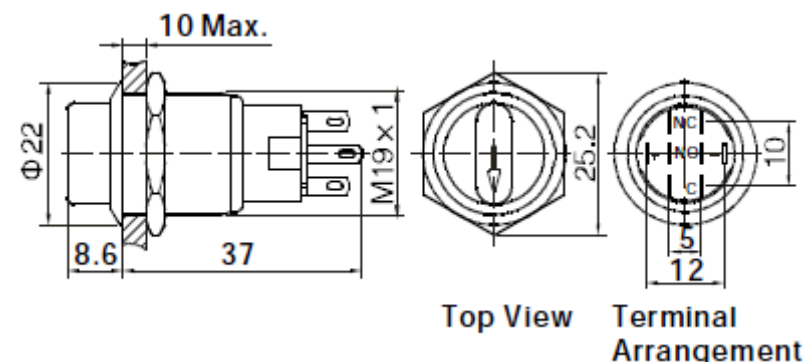
# EDCON-COMPONENTS



## Specifications

Switch Rating:	Ith=5A Ui=250VAC
Contact Configuration:	1NO1NC / 2NO2NC
Operating Type:	look order code
IP-Degree:	IP67
Crust Material:	Stainless Steel
Terminal Type:	Pin Terminal (2,8x0,5mm)
Switching:	Two/Three Position Remain
Contact Resistance:	≤ 50mΩ
Insulation Resistance:	≥ 1000MΩ
Dielectric Strength:	2000VAC
Operating Temperature:	. -20°C ~ +55°C
Mechanical Life:	500.000 cycles
Electrical Life:	50.000 cycles
Panel Thickness:	1 ~ 10mm
Torque:	5 ~ 14Nm

## Drawing



## Material

Contact:	Silver Alloy
Button:	Stainless Steel
Body:	Stainless Steel
Base:	PBT
<b>ROHS:</b>	Made to Order-Code

**19MM Anti-Vandal-Switch**

Part No.: **Q36029**

DRW:	Jason	CHKD	Wilson	MATL:	Wilson	TOLERANCE	Mason	DATE	20.08.2009	Customer:
APPD:	Schumi			FINISH	Jamy		Sheet No.	1 from 3		

# EDCON-COMPONENTS



## Operating Position & Contact Operation

Position	Contact	left	Center	Right	
90° two position	1NO1NC		/		
	2NO2NC	 Left Contact		 Right Contact	 Left Contact
45° three position	2NO2NC	 Left Contact	 Right Contact	 Left Contact	 Right Contact

**19MM Anti-Vandal-Switch**

Part No.: **Q36029**

Customer:

DRW:	Jason	CHKD	Wilson	MATL:	Wilson	TOLERANCE	Mason	DATE	20.08.2009
APPD:	Schumi			FINISH	Jamy		Sheet No.	2 from 3	

# EDCON-COMPONENTS



## Ordering Informations

Serie	Front Shape	Contact Structure	Lamp Type	Connect Type	Lamp Color	Lamp Voltage	Crust Material	Engraving Options	Operating Type	ROHS	Packing Style
<b>Q36029</b>	<b>K</b>	<b>11</b>	<b>N</b>	<b>3</b>	<b>A</b>	<b>0</b>	<b>S</b>	<b>N</b>	<b>2</b>	<b>R</b>	<b>N</b>

<b>K= Knob</b>	<b>11= 1NO1NC</b> <b>22= 2NO2NC</b>	<b>N= no Function</b>	<b>3= Pin Terminal</b>	<b>A= No Function</b> <b>R= Red</b> <b>G= Green</b> <b>Y= Yellow</b> <b>O= Orange</b> <b>B= Blue</b> <b>W= White</b>	<b>0= without</b> <b>1= 6V AC/DC</b> <b>2= 12V AC/DC</b> <b>3= 24V AC/DC</b> <b>4= 36V AC/DC</b> <b>5= 110V AC/DC</b> <b>4= 36V AC/DC</b> <b>X= can we make by order</b>	<b>S= Stainless Steel</b>	<b>N= no Function</b>	<b>2= 90° Two Position</b> <b>3= 45° Three Position</b>	<b>R= ROHS Conform</b> <b>N= NON ROHS Conform</b>	<b>N= White Carton</b> <b>I= Individual Packing</b>
----------------	--	-----------------------	------------------------	--	---	---------------------------	-----------------------	--	--	--

**19MM Anti-Vandal-Switch**

Part No.: **Q36029**

DRW:	Jason	CHKD	Wilson	MATL:	Wilson	TOLERANCE	Mason	DATE	20.08.2009	Customer:
APPD:	Schumi			FINISH	Jamy		Sheet No.	3 from 3		

[www.edcon-components.com](http://www.edcon-components.com)

email: [info@edcon-components.com](mailto:info@edcon-components.com)