

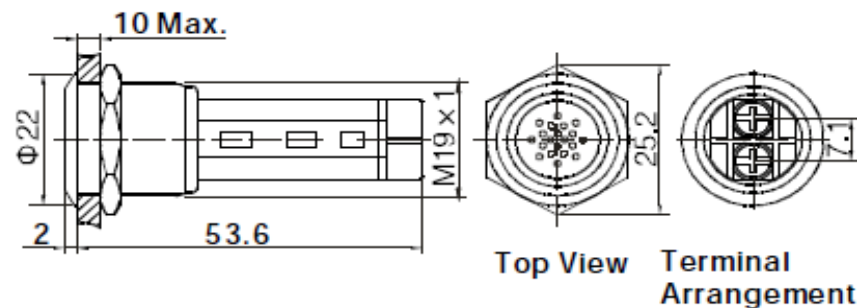
# EDCON-COMPONENTS



## Specifications

Operating Type:	look order code
IP-Degree:	IP50
Crust Material:	Stainless Steel
Terminal Type:	Screw Terminal
Dielectric Strength:	2000VAC
Operating Temperature:	. -20°C ~ +55°C
Panel Thickness:	1 ~ 10mm
Torque:	5 ~ 14Nm
Type:	Buzzer/ Flicker Buzzer
Sound Intensity:	≥80dB (1M)

## Drawing



## Material

Button:	Stainless Steel
Body:	Stainless Steel
Base:	PA
<b>ROHS:</b>	Made to Order-Code

**19MM Anti-Vandal-Buzzer**

Part No.: **Q36028**

Customer:

DRW:	Jason	CHKD	Wilson	MATL:	Wilson	TOLERANCE	Mason	DATE	20.08.2009
APPD:	Schumi			FINISH	Jamy		Sheet No.	1 from 2	

# EDCON-COMPONENTS



## Ordering Informations

Serie	Front Shape	Contact Structure	Lamp Type	Connect Type	Knob Color	Lamp Voltage	Crust Material	Engraving Options	Operating Type	ROHS	Packing Style
<b>Q36028</b>	<b>F</b>	<b>00</b>	<b>N</b>	<b>3</b>	<b>R</b>	<b>2</b>	<b>S</b>	<b>N</b>	<b>N</b>	<b>R</b>	<b>N</b>
<b>F= Flat</b>	<b>00= No function</b>	<b>N= no Function</b>	<b>3= Pin Terminal</b>	<b>R= Red</b>	<b>2= 12V AC/DC</b>	<b>S= Stainless Steel</b>	<b>N= No Function</b>	<b>N= No Function</b>	<b>R= ROHS Conform</b>	<b>N= White Carton</b>	
			<b>G= Green</b>	<b>3= 24V AC/DC</b>	<b>N= NON ROHS Conform</b>				<b>I= Individual Packing</b>		
				<b>5= 110VAC</b>							
				<b>6= 230VAC</b>							

**19MM Anti-Vandal-Buzzer**

Part No.: **Q36028**

DRW:	Jason	CHKD	Wilson	MATL:	Wilson	TOLERANCE	Mason	DATE	20.08.2009	Customer:
APPD:	Schumi			FINISH	Jamy		Sheet No.	2 from 2		