

EDCON-COMPONENTS



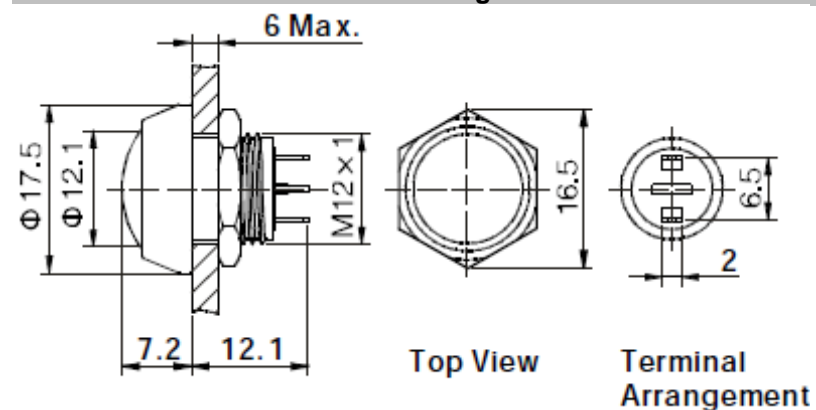
Specifications

Switch Rating:	2A/36VDC
Contact Configuration:	1NO
Operating Type:	Momentary
Crust Material:	Stainless Steel or Nickel Plated Brass
IP-Degree:	IP65
Terminal Type:	Solder Lug
Switching:	ON (Momentary)
Contact Resistance:	≤ 50mΩ
Insulation Resistance:	≥ 1000MΩ
Dielectric Strength:	2000VAC
Operating Temperature:	. -20°C ~ +55°C
Mechanical Life:	1.000.000 cycles
Electrical Life:	200.000 cycles
Panel Thickness:	1 ~ 6mm
Torque:	5 ~ 14Nm
Operating Pressure:	About 5N
Operating Distance:	About 2,5Nm

Material

Contact:	Silver Alloy
Button:	Stainless Steel or Nickel Plated
Body:	Stainless Steel or Nickel Plated
Base:	PBT
ROHS:	Made to Order-Code
Head Color	R G Y O B W N

Drawing



12MM Anti-Vandal-Switch

Part No.: **Q36010**

DRW:	Jason	CHKD	Wilson	MATL:	Wilson	TOLERANCE	Mason	DATE	20.08.2009	Customer:
APPD:	Schumi			FINISH	Jamy		Sheet No.	1 from 2		

www.edcon-components.com

email: info@edcon-components.com

EDCON-COMPONENTS



Ordering Informations

Serie	Front Shape	Contact Structure	Lamp Type	Connect Type	Knob Color	Lamp Voltage	Crust Material	ROHS	Packing Style	
-------	-------------	-------------------	-----------	--------------	------------	--------------	----------------	------	---------------	--

Q36010	B	10	N	1	R	0	A	R	N	
---------------	----------	-----------	----------	----------	----------	----------	----------	----------	----------	--

B= Domed	10= 1NO	N= no Function	1= Solder Lug	R= Red	0= without	A= Zn-Alloy (colorized Button)	R= ROHS Conform	N= White Carton
				G= Green			N= NON ROHS Conform	I= Individual Packing
				Y= Yellow				
				O= Orange				
				B= Blue				
				W= White				
				N= Black				

12MM Anti-Vandal-Switch

Part No.: **Q36010**

DRW:	Jason	CHKD	Wilson	MATL:	Wilson	TOLERANCE	Mason	DATE	20.08.2009	Customer:
APPD:	Schumi			FINISH	Jamy		Sheet No.	2 from 2		