

# EDCON-COMPONENTS



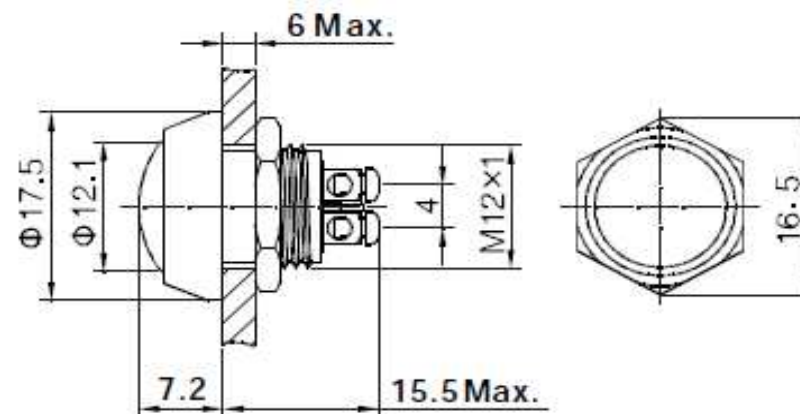
## Specifications

Switch Rating:	2A/36VDC
Contact Configuration:	1NO
Operating Type:	Momentary
Crust Material:	Stainless Steel or Nickel Plated Brass
IP-Degree:	IP65
Terminal Type:	Screw Terminal
Switching:	ON ( Momentary)
Contact Resistance:	≤ 50mΩ
Insulation Resistance:	≥ 1000MΩ
Dielectric Strength:	2000VAC
Operating Temperature:	. -20°C ~ +55°C
Mechanical Life:	1.000.000 cycles
Electrical Life:	200.000 cycles
Panel Thickness:	1 ~ 6mm
Torque:	5 ~ 14Nm
Operating Pressure:	About 5N
Operating Distance:	About 2,5Nm

## Material

Contact:	Silver Alloy
Button:	Stainless Steel or Nickel Plated
Body:	Stainless Steel or Nickel Plated
Base:	PBT
<b>ROHS:</b>	Made to Order-Code

## Drawing



## 12MM Anti-Vandal-Switch

Part No.: **Q36009**

Customer:

DRW:	Jason	CHKD	Wilson	MATL:	Wilson	TOLERANCE	Mason	DATE	20.08.2009
APPD:	Schumi			FINISH	Jamy		Sheet No.	1 from 2	

# EDCON-COMPONENTS



## Ordering Informations

Serie	Front Shape	Contact Structure	Lamp Type	Connect Type	Knob Color	Lamp Voltage	Crust Material	ROHS	Packing Style	
-------	-------------	-------------------	-----------	--------------	------------	--------------	----------------	------	---------------	--

<b>Q36009</b>	<b>B</b>	<b>10</b>	<b>N</b>	<b>2</b>	<b>R</b>	<b>0</b>	<b>A</b>	<b>R</b>	<b>N</b>	
---------------	----------	-----------	----------	----------	----------	----------	----------	----------	----------	--

<b>B=</b> Domed	<b>10=</b> 1NO	<b>N=</b> no Function	<b>2=</b> Screw Terminal	<b>R=</b> Red	<b>0=</b> without	<b>A=</b> Zn-Alloy (colorized Button)	<b>R=</b> ROHS Conform	<b>N=</b> White Carton
				<b>G=</b> Green			<b>N=</b> NON ROHS Conform	<b>I=</b> Individual Packing
				<b>Y=</b> Yellow				
				<b>O=</b> Orange				
				<b>B=</b> Blue				
				<b>W=</b> White				
				<b>N=</b> Black				

**12MM Anti-Vandal-Switch**

Part No.: **Q36009**

DRW:	Jason	CHKD	Wilson	MATL:	Wilson	TOLERANCE	Mason	DATE	20.08.2009	Customer:
APPD:	Schumi			FINISH	Jamy		Sheet No.	2 from 2		

[www.edcon-components.com](http://www.edcon-components.com)

email: [info@edcon-components.com](mailto:info@edcon-components.com)